

# CIRCUIT DESCRIPTION

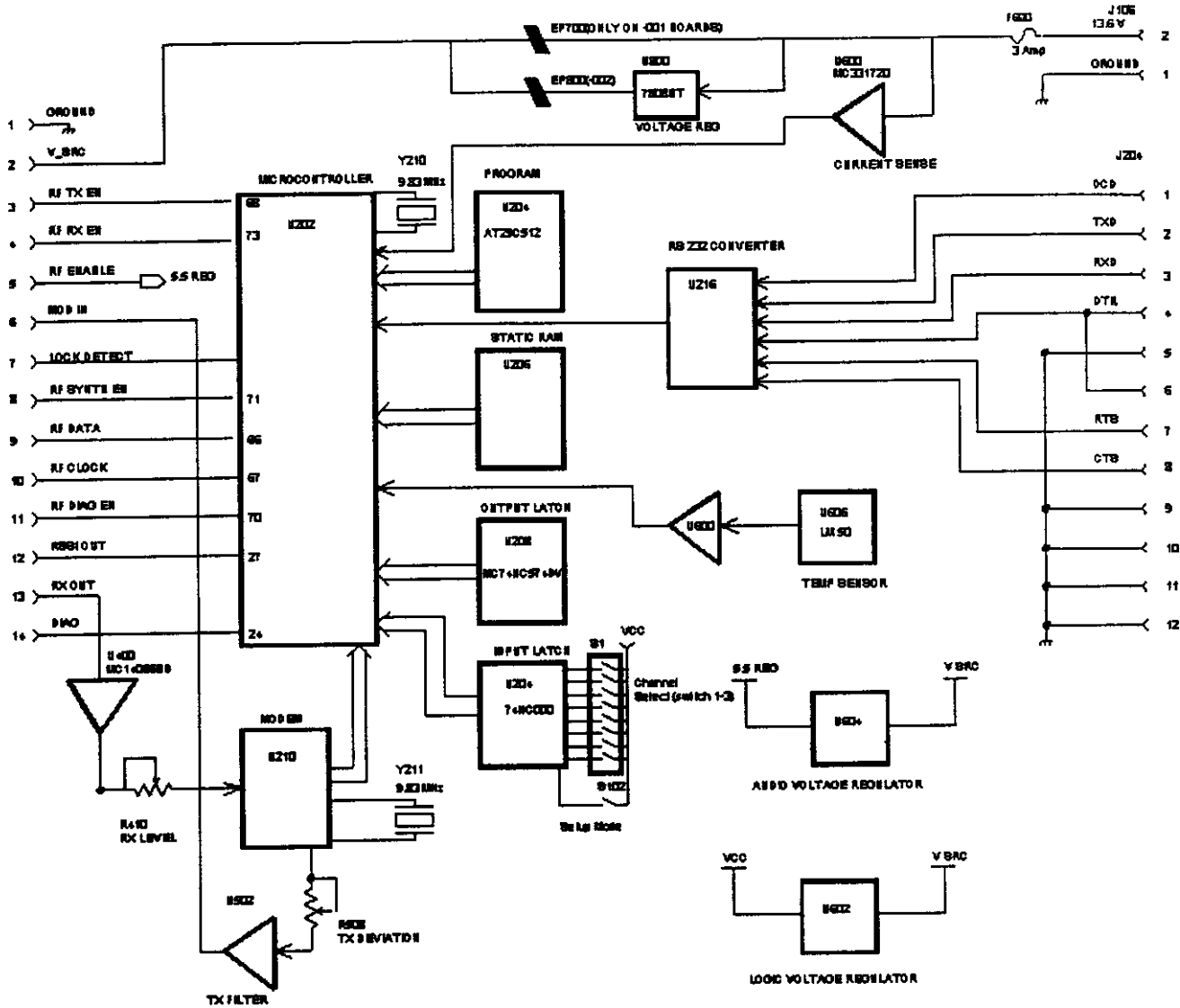
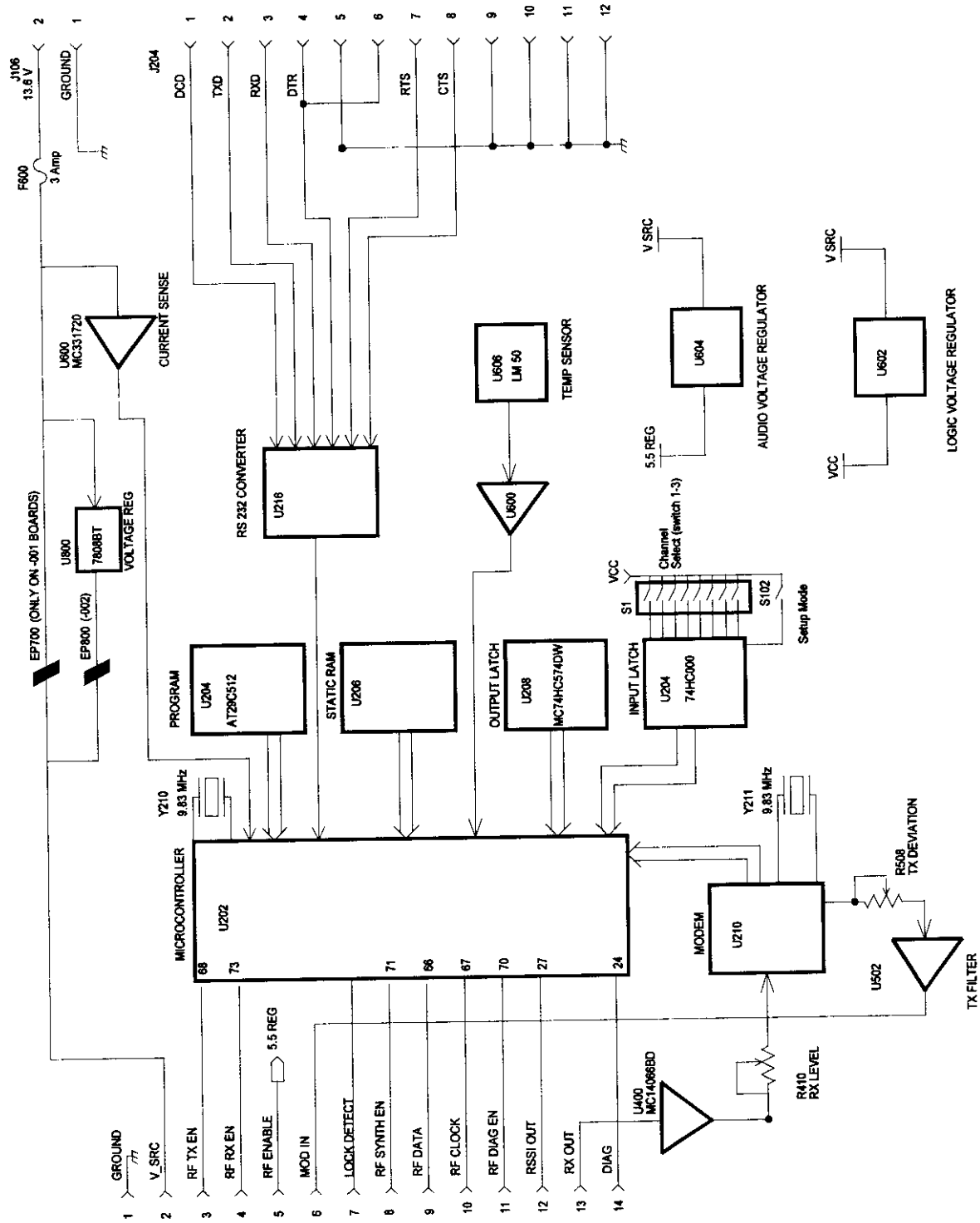
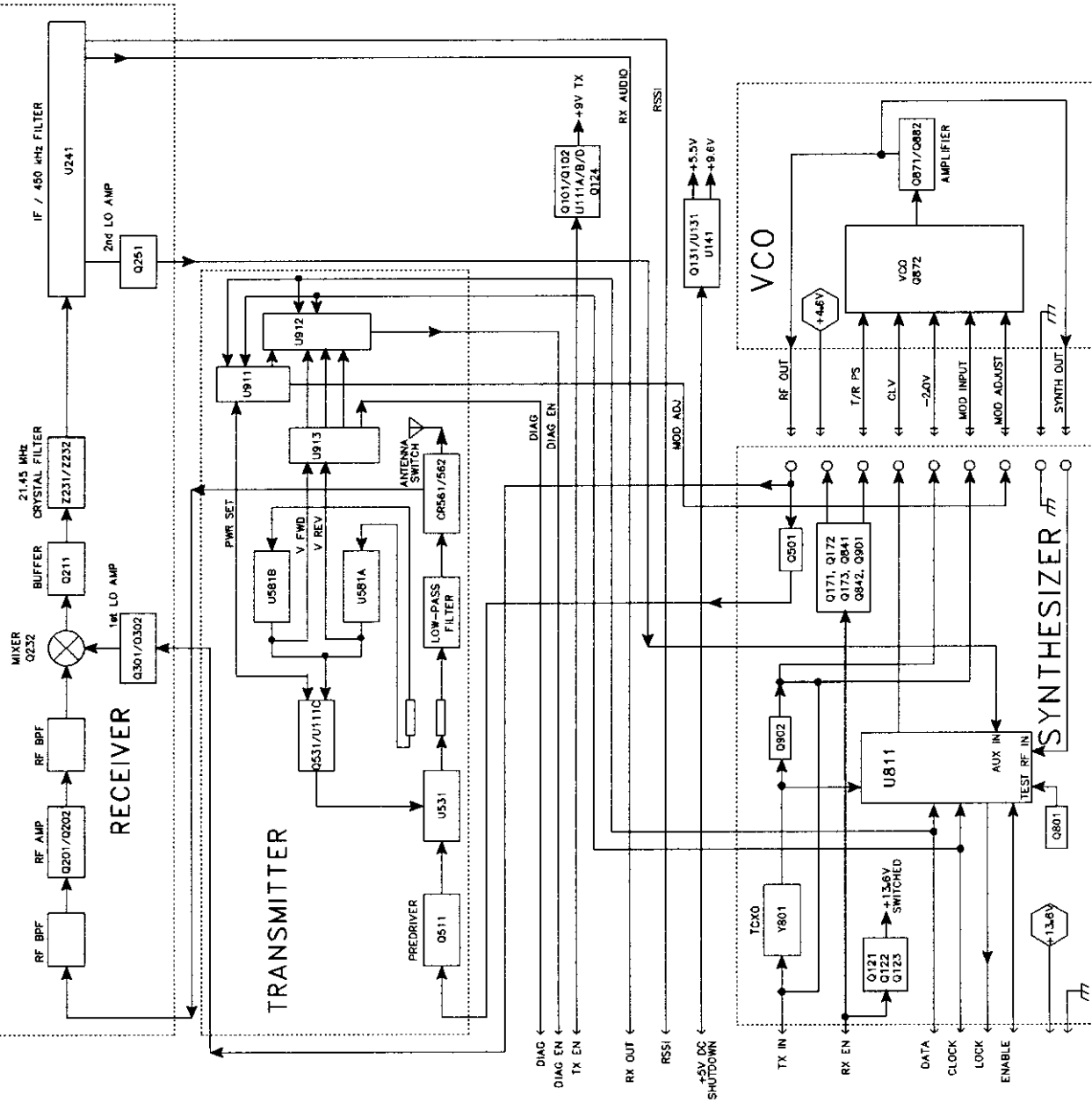


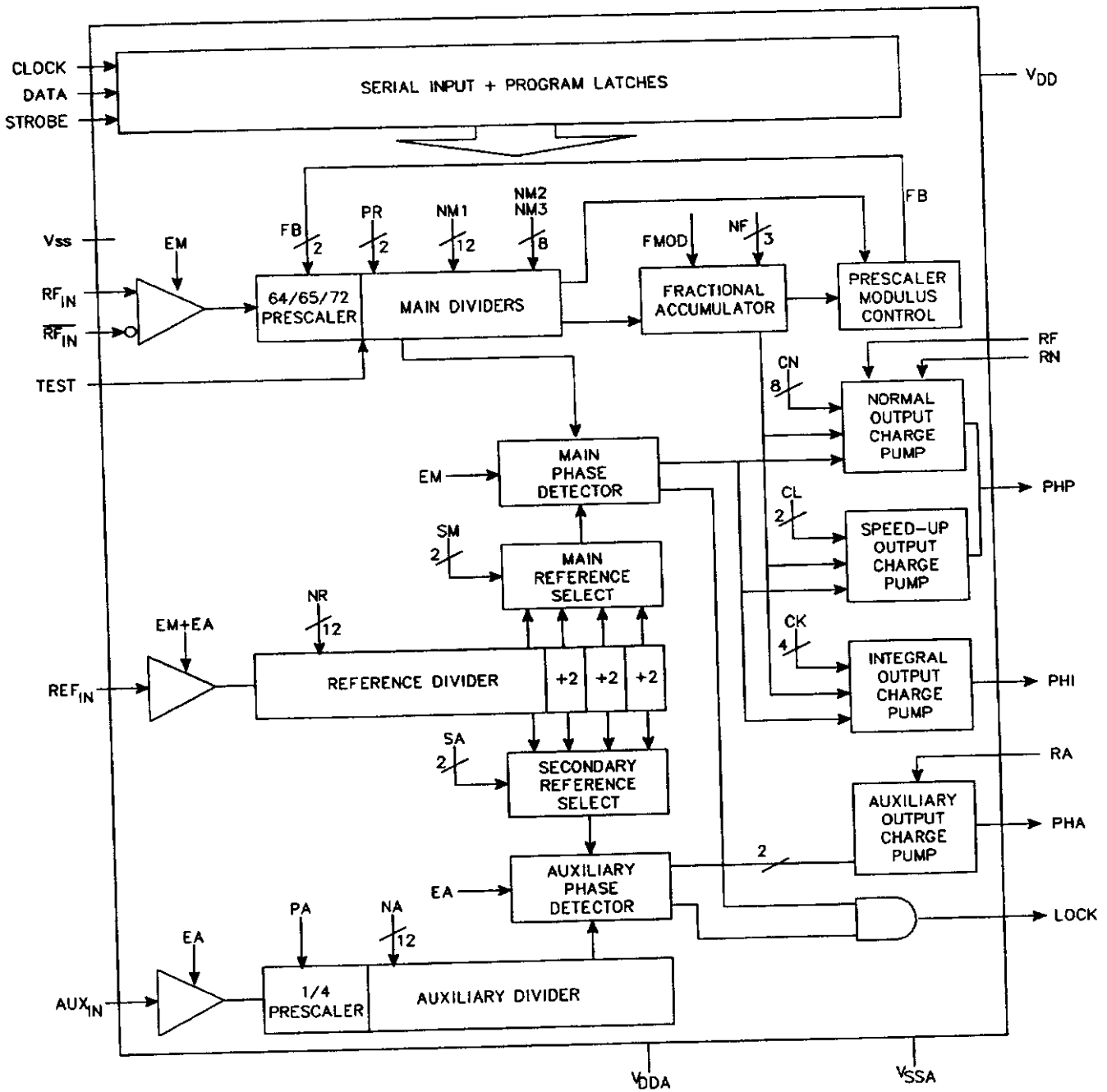
Figure 5-1 3286 Modem Board Functional Block Diagram



DL-3286 MODEM BLOCK DIAGRAM

DL-3422 TRANSCIEVER BLOCK DIAGRAM





**DL-3422 SYNTHESIZER INTEGRATED CIRCUIT  
(U811)**