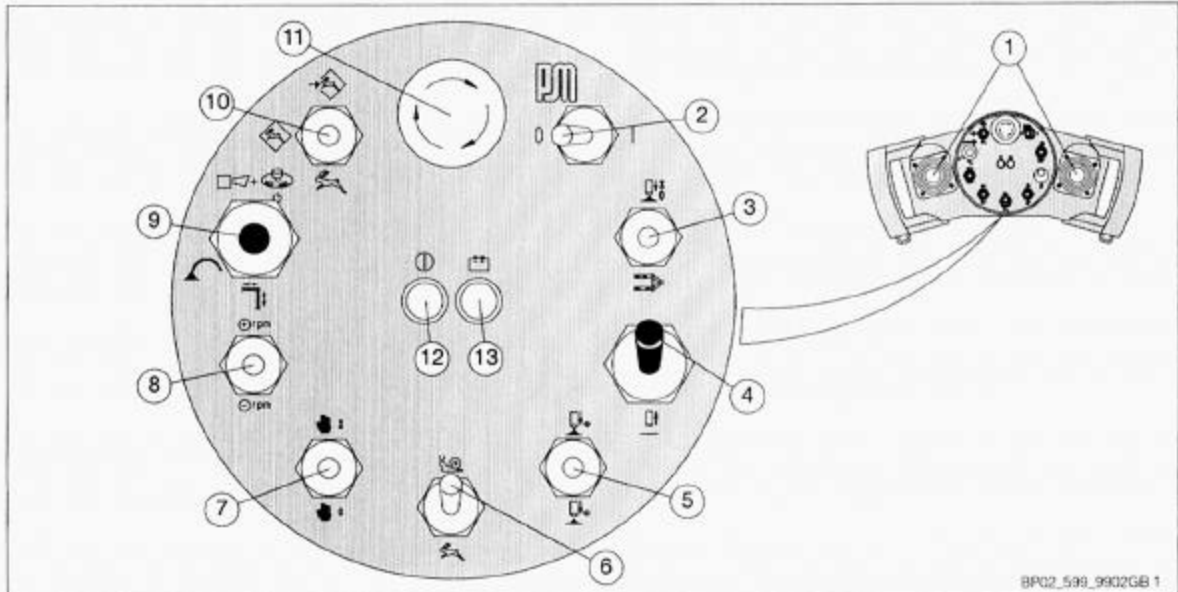
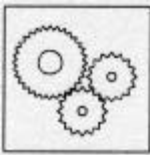


1.1.1 Radio remote control The transmitter for a proportional radio remote control is described below.

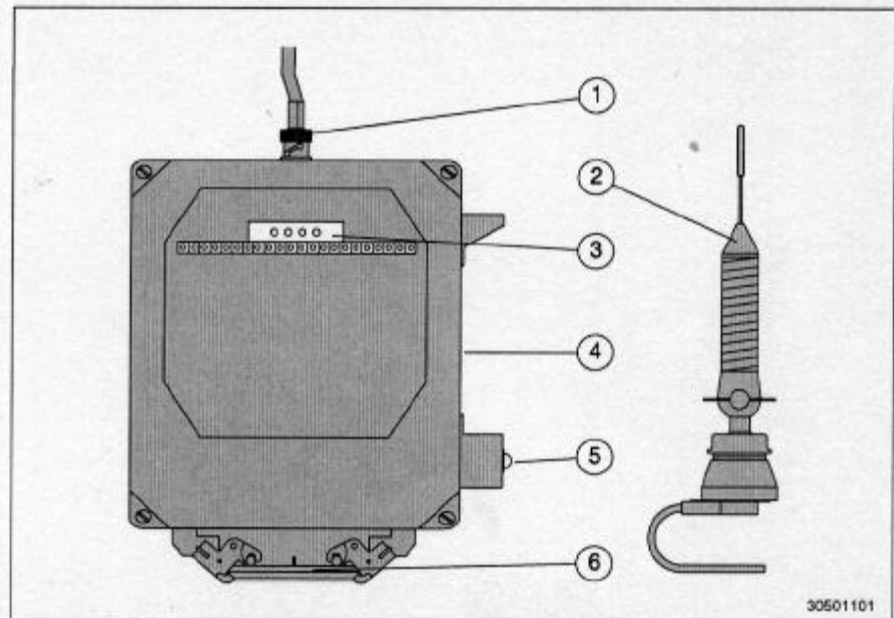


BP02_599_9902GB 1

No	Operating/ control element	Meaning/Function	Belongs with no:
1	Joystick	Boom control	
2	Toggle switch	Radio remote control unit On – Off	12
3	Toggle switch	Pump On – Off – Stroke change-over	
4	Toggle switch locked locally	Reverse pumping	
5	Toggle switch	Increase – Reduce output	
6	Toggle switch	Boom speed preselect: Hare = 100% / Snail = 50%	
7	Toggle switch	Engine On – Off	
8	Toggle switch	Increase – Reduce engine speed	
9	Toggle switch locked locally	Horn + deactivate EMERGENCY SHUT-DOWN / Boom functions – Support leg control	
10	Toggle switch/button	Set boom speed	
11	Momentary-contact switch	EMERGENCY SHUT-DOWN	
12	Green indicator lamp	Flashing: remote control unit in service Off: no contact with receiver	2
13	Red indicator lamp	Flashing: battery flat	

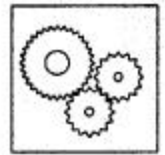


Receiver



30501101

No	Operating/ control element	Meaning/Function	Belongs with no:
1	Sleeve	Antenna connection	
2	Antenna with base	Control signal reception	1
3	Indicator lamps	Operating states and control commands display	
4	Battery compartment	Charge battery	
5	Red indicator lamp	Battery charge state	4
6	Sleeve	Connection to the control cabinet	



Special features of the radio remote control

Frequency change

12 frequencies on the frequency band have been assigned to this radio remote control. As soon as you switch the transmitter off or press the EMERGENCY SHUT-DOWN button the link between the transmitter and receiver is broken. If you switch the transmitter back on or release the EMERGENCY SHUT-DOWN button, the radio remote control automatically advances to the next frequency.

Re-start pump after EMERGENCY SHUT-DOWN

If you have pressed the EMERGENCY SHUT-DOWN button, you may only start the pump up again as described below:

- unlock the EMERGENCY SHUT-DOWN button by turning it,
- switch off remote control unit and re-start,
- press the "Horn + deactivate EMERGENCY SHUT-DOWN" toggle switch,
- switch the pump off and then re-start it using the "Pump On - Off" toggle switch.

Additional antennae

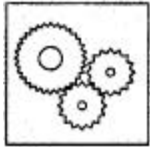
You must maintain a minimum clearance of 1m between the radio remote control and any additional antennae (eg radio, telephone) you fit, as otherwise these may interfere with the radio remote control.

Locally locked toggle switches

To use a toggle switch that has been locked locally, you must first pull it out and then push it towards the symbol.

Joystick

The two joysticks can be used to control the individual boom functions. You can control some of the boom functions for 4 and 5 arm booms by manoeuvring the joysticks .



Boom speed preselect toggle switch

You can control the boom at the movement speeds set in the works using the boom speed preselect toggle switch. 100% speed in the hare switch position and 50% speed in the snail switch position. The "Set boom speed" toggle switch must be in the lower switch position for this operation.

Set boom speed toggle switch

The "Set boom speed" toggle switch has three positions.

- With the toggle switch in the upper position you can program your own boom speeds.
- The middle position is used to move the boom at the speeds you have programmed.
- The lower position is used to move the boom at the speeds set in the works.

Programming your own boom speed

Each boom function must be programmed individually.

- ▶ Press the toggle switch up and hold.
- ▶ Control the desired boom function using the joystick at the speed that is to become maximum speed for full joystick deflection.
- ▶ Release the toggle switch first and then the joystick.

Now if you switch the toggle switch into the middle position and move the joystick to its full extent the boom function moves at the speed you have just programmed. If you only move the joystick part-way the speed is reduced proportionally.