	<p style="text-align: center;">Exhibit 2 -- ID Label/Location Information</p> <p style="text-align: center;">Bosch Telecom Node Transmitter</p> <p style="text-align: center;">FCC ID: NNS3214823</p> <p style="text-align: center;">Part Number: 3214823-003 (Vertically Polarized) 3214823-004 (Horizontally Polarized)</p>
---	--

Information Provided in this Exhibit

a) Label Drawings

Bosch Telecom drawing 3214983-000 is the artwork for the Transmitter ID labels. Sheet 1 of this drawing contains notes pertaining to the labels and sheet 4 contains the artwork for the -003 labels. Two labels are used for the -003/004 transmitters as shown on sheet 4.

Sheets 2 and 3, not included in this exhibit, contain label information for transmitters used under an FCC experimental license prior to grant of Certification.

b) Transmitter Top Assembly Drawings

Bosch Telecom drawing 3214233-000 (sheet 1) is the top assembly drawing for the Transmitter. Two configurations are shown on this drawing, -001/002 and -003/004 (see Note 1):

- -001 and -003 use vertically polarized horn antennas
- -002 and -004 use horizontally polarized horn antennas
- -001 and -002 transmitters are housed in the original-design chassis (used for either transmitters or receivers) and which was in use during compliance testing. However, the original chassis was redesigned to improve shielding effectiveness for the receiver circuitry. The shielding effectiveness of the new chassis is greatly improved over the original; using the new chassis does not degrade emission characteristics if used for the transmitter. Therefore, -003 and -004 transmitters are housed in the new chassis.

This drawing is presented on page 4.

Bosch Telecom, Inc. Proprietary Information -- Not for Public Disclosure

PRO/ENGINEER DWG

APPLICATION		REVISIONS			
NEXT ASSY	USED ON	REV	DESCRIPTION	DATE	APPR
3214823-000	3658	-	INITIAL RELEASE	8-May-98	M. Robertson
		A	CHG PER ECN 24104	24-Jul-98	M. Robertson
		B	CHG PER ECN 24159	30-Oct-98	M. Robertson

NOTES:

- LABELS AND MARKINGS MUST BE UL APPROVED
- MATERIAL: METAL PHOTO, METAL TO BE .02-.03 MIL THK WITH (3M 467) ADHESIVE BACKING
- LABEL LIFE MUST BE MINIMUM OF 10 YEARS
- UNLESS SPECIFIED, TEXT SHALL BE ARIAL FONT, 8 PT, COLOR BLACK: LABEL BORDERS SHALL BE 1.5 PT
- REFER TO UL TYPE R LISTING MARK INFORMATION TO REPLACE REFERENCE U.S. AND CANADA UL SYMBOLS WITH APPROPRIATE REGISTERED MARKS
- LABEL PART NUMBERS PLACED ON LABELS SHALL BE IN ARIAL FONT, 8 PT, COLOR BLACK. LABEL PART NUMBER SHALL BE LOCATED IN LOWER RIGHT HAND CORNER
- UPPER AND LOWER CASE AND BOLD TEXT SHALL REFLECT TEXT STIPULATION AS SHOWN
- DOTTED BOXES SHALL BE HORIZONTALLY ALIGNED WITH ADJACENT TEXT; BOX SIZES SHALL BE .25 X 1.00 INCH (H X W); ADJUST APPROPRIATE TEXT VERTICALLY AS NEEDED
- LABELS MUST BE SELF-EXTINGUISHING AND EQUAL TO OR EXCEED 94V-0 FLAMMABILITY REQUIREMENTS
- LABELS SHALL BE SUITABLE TO OUTDOOR CONDITIONS; MUST BE UV RESISTANT AND ENDURE -20C TO 50C TEMPERATURE RANGES
- ENSURE SYMBOL HAS AN EQUILATERAL TRIANGLE AND ENLARGED EXCLAMATION MARK VERTICALLY AND HORIZONTALLY CENTERED

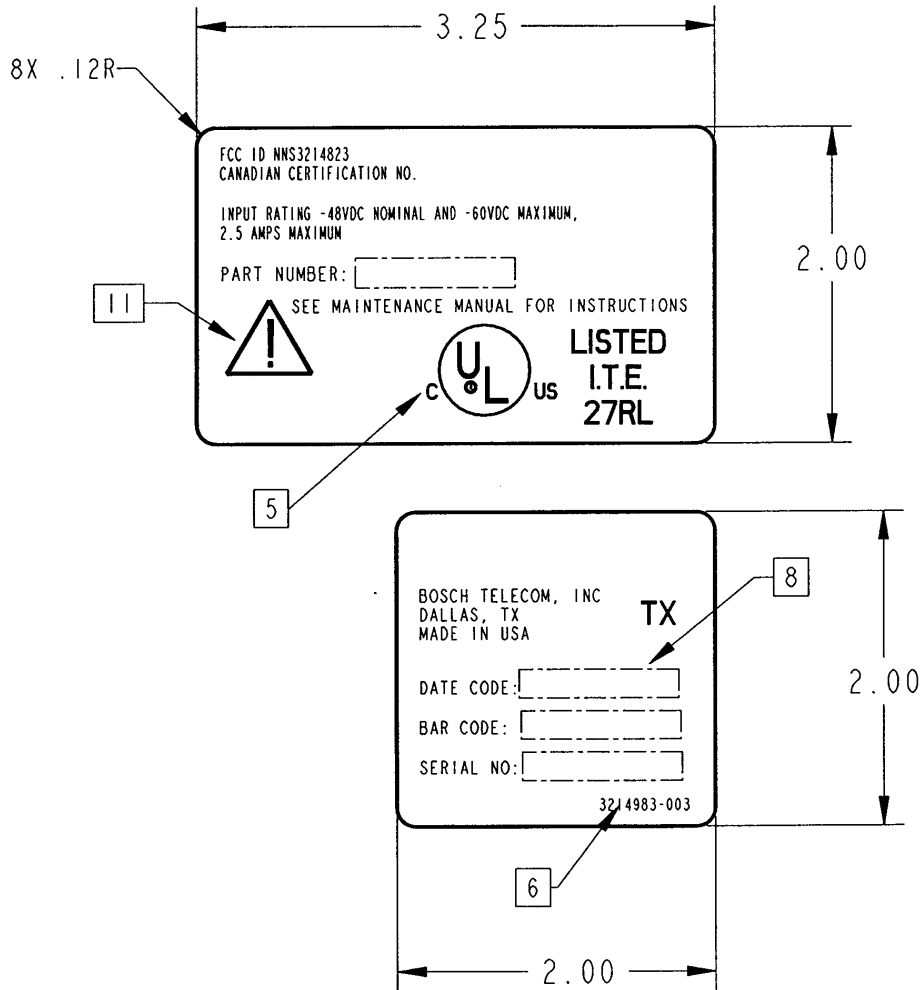
PRELIMINARY
 98.11.10
 PASSING ECN #24159

TOLERANCES
USE UNLESS SPECIFIED OTHERWISE

DIMENSIONS ARE IN INCHES .XX = ±.03 .XXX = ±.010 ANGLES ±1°

ORIGINATOR J. Shelton	20-Mar-98	BOSCH TELECOM INC. Dallas, Texas
ENGINEERING M. Robertson	20-Mar-98	
CM K. Chatterton	8-May-98	
		TITLE LABEL, GENERAL CERTIFICATION NODE TRANSMITTER
SIZE A	CAGE CODE 0AAU6	DRAWING NO. 3214983-000
SCALE NONE	SHEET 1 OF 4	REV B

LABEL CONFIGURATION



CONFIGURATION -003
GENERAL CERTIFICATION
NODE TRANSMITTER

PRELIMINARY

BOSCH TELECOM INC. Dallas, Texas	CAGE CODE 0AAU6	SIZE A	SCALE NONE	DRAWING NO. 3214983-000	SHEET 4 OF 4	REV B
--	--------------------	-----------	---------------	-----------------------------------	-----------------	-----------------

REF REV ECN NO DATE DESCRIPTION INITIAL REL BT CHM DD JC

10-Hex-98

REF	REV	ECN NO	DATE	DESCRIPTION	INITIAL	REL	BT	CHM	DD	JC
0	EA	3214823-003		LBL GEN CERT. MODE TRANSMITTER					45	
0	EA	3214823-002		LBL GEN CERT. MODE TRANSMITTER					44	
1	EA	8000336-001		CEL. HPA TO LO					43	
1	EA	3214879-001		CEL. ASSY. TX/RX. MODE. W3					42	
1	EA	3214878-001		CEL. ASSY. TX/RX. MODE. W2					41	
0	EA	3214877-002		CEL. ASSY. TX/RX. MODE. W1					40	
0	EA	3214877-001		CEL. ASSY. TX/RX. MODE. W1					39	
1	EA	3214908-002		CEL. ASSY. MODE. TX. W8					38	
1	EA	3214908-001		CEL. ASSY. MODE. TX. W4					37	
10	EA	8000300-001		MSHR. LK. INT. SS. R6					36	
2	EA	8000299-001		MSHR. LK. INT. SS. R4					35	
2	EA	8000402-002		MSHR. SEAL. R6					34	
4	EA	8001130-002		MSHR. SEAL. R4					33	
4	EA	8001130-001		MSHR. SEAL. R4					32	
4	EA	8002025-001		WHT. HEZ. 4-40. SST					31	
0	EA	8001108-002		WHT. HEZ. 6-32					30	
6	EA	8000253-001		SCR. SHDR. 4-40X. 1875. SST					29	
4	EA	8001127-033		SCR. SKT. HD. CRP. 4-40X. 500					28	
4	EA	8000232-001		SCR. SKT. HD. CRP. 4-40X. 312					27	
0	EA	8000460-002		SCR. SKT. HD. CRP. 4-40X. 312					26	
0	EA	8000424-001		SCR. 8-32. X. 312. SHH. SEMS. ZNPL					25	
0	EA	8000458-002		SCR. 8-32. X. 312. SHH. SEMS. ZNPL					24	
0	EA	8000423-001		SCR. PHH. SEMS. M3 X L8					23	
0	EA	8000406-001		SCR. PHH. M3 X L8					22	
0	EA	3215585-001		SCR. PHH. M3 X L8					21	
0	EA	3215585-001		ADAPTER. FLG. FLTR. MODE					20	
0	FT	8001034-001		GAP PAD. TX/RX. MODE					19	
0	EA	3214929-002		SEC. O-RING. LENTHY. MODE					18	
1	EA	3214848-001		GASKET. TX/RX. MODE					17	
0	EA	3215550-001		L-ADPT. W/G					16	
1	EA	8001172-001		WINDOW. TX/RX. MODE					15	
1	EA	8001172-001		CCA. HPA. MODULE. TX. MODE					14	
0	EA	8000172-001		KEEPER. LATCH. SST. MODE. CHASSIS					13	
1	EA	3215547-002		FLTR. W/G. TX. MODE					12	
1	EA	8001102-001		NG. 1.00. WR-29					11	
1	EA	3215520-001		OSCILLATOR. LOCAL					10	
1	EA	3215516-001		CCA. PHR. SUPPLY. TX. MODE					9	
0	EA	3215500-021		SUB. ASSY. ANT. HORI. TX/RX. MODE					8	
0	EA	3202210-002		POL. ANT. HORI. TX/RX. MODE					7	
0	EA	3215500-022		SUB. ASSY. ANT. VERT. PHU. MODE					6	
0	EA	3202210-001		POL. ANT. VERT. TX/RX. MODE					5	
0	EA	3215526-001		CVR. CHASSIS. TX/RX. MODE					4	
0	EA	3214833-001		CVR. HSG. TX/RX. MODE					3	
0	EA	3215519-001		CHASS. RVTX. MODE. V1					2	
0	EA	3214831-001		CHASSIS. RVTX. MODE. V1					1	

UNLESS OTHERWISE SPECIFIED:

ALL DIMENSIONS ARE IN INCHES

ALL DIMENSIONS ARE TO CENTER UNLESS OTHERWISE SPECIFIED

TOLERANCES: .125 ± .005

.005 ± .001

.010 ± .001

.015 ± .001

.020 ± .001

.030 ± .001

.040 ± .001

.050 ± .001

.060 ± .001

.070 ± .001

.080 ± .001

.090 ± .001

.100 ± .001

.110 ± .001

.120 ± .001

.130 ± .001

.140 ± .001

.150 ± .001

.160 ± .001

.170 ± .001

.180 ± .001

.190 ± .001

.200 ± .001

.210 ± .001

.220 ± .001

.230 ± .001

.240 ± .001

.250 ± .001

.260 ± .001

.270 ± .001

.280 ± .001

.290 ± .001

.300 ± .001

.310 ± .001

.320 ± .001

.330 ± .001

.340 ± .001

.350 ± .001

.360 ± .001

.370 ± .001

.380 ± .001

.390 ± .001

.400 ± .001

.410 ± .001

.420 ± .001

.430 ± .001

.440 ± .001

.450 ± .001

.460 ± .001

.470 ± .001

.480 ± .001

.490 ± .001

.500 ± .001

.510 ± .001

.520 ± .001

.530 ± .001

.540 ± .001

.550 ± .001

.560 ± .001

.570 ± .001

.580 ± .001

.590 ± .001

.600 ± .001

.610 ± .001

.620 ± .001

.630 ± .001

.640 ± .001

.650 ± .001

.660 ± .001

.670 ± .001

.680 ± .001

.690 ± .001

.700 ± .001

.710 ± .001

.720 ± .001

.730 ± .001

.740 ± .001

.750 ± .001

.760 ± .001

.770 ± .001

.780 ± .001

.790 ± .001

.800 ± .001

.810 ± .001

.820 ± .001

.830 ± .001

.840 ± .001

.850 ± .001

.860 ± .001

.870 ± .001

.880 ± .001

.890 ± .001

.900 ± .001

.910 ± .001

.920 ± .001

.930 ± .001

.940 ± .001

.950 ± .001

.960 ± .001

.970 ± .001

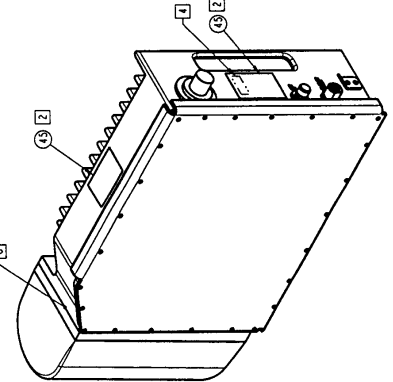
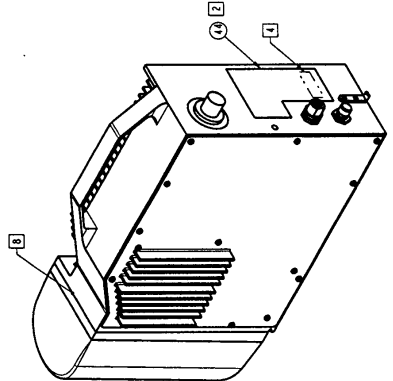
.980 ± .001

.990 ± .001

1.000 ± .001

DO NOT SCALE DRAWINGS

- NOTES: UNLESS OTHERWISE SPECIFIED
- 3214823-001 IS THE VERTICAL HORN OLD CHASSIS CONFIGURATION
 - 3214823-002 IS THE VERTICAL HORN WITH THE CAST CHASSIS CONFIGURATION
 - 3214823-003 IS THE VERTICAL HORN WITH THE CAST CHASSIS CONFIGURATION
 - 3214823-004 IS THE HORIZONTAL HORN WITH THE CAST CHASSIS CONFIGURATION
- APPLY APPROPRIATE LABELS IN APPROXIMATE LOCATIONS
- ELECTRICAL PERFORMANCE IN ACCORDANCE WITH 3214702
- APPLY THE FOLLOWING MARKING TO LABEL AS FOLLOWS:
- 3214823-003 DATE CODE DATE
- APPROPRIATE DASH NO
- APPROPRIATE PART NO
- APPLY SEALANT PER SEPARATE WORK INSTRUCTIONS
- ITEMS 34 ARE INTERNAL TO CHASSIS CAVITY AND ITEMS 36 ARE EXTERNAL



PRELIMINARY
 NOT RELEASED AS YET
 3214823-003