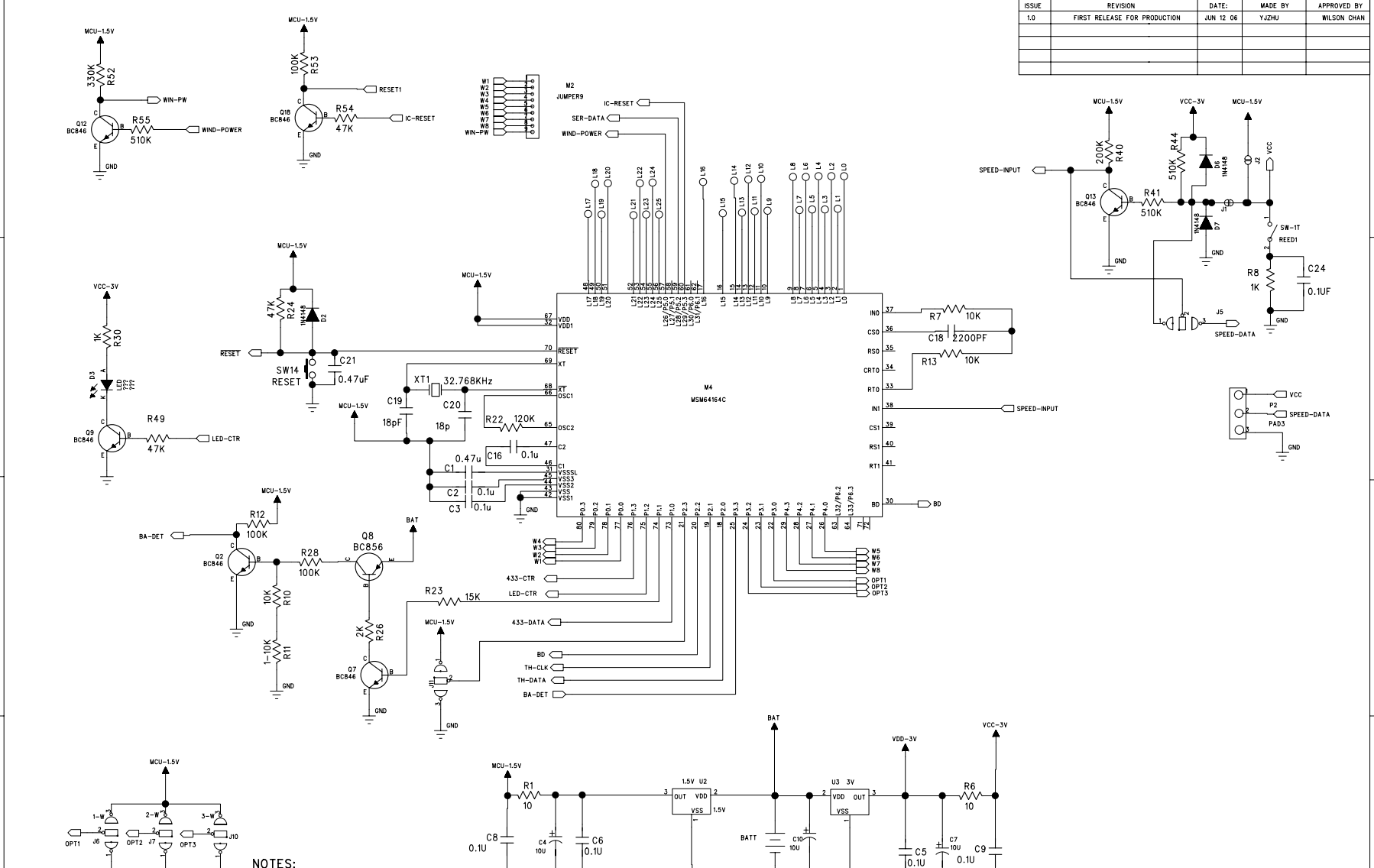


ISSUE	REVISION	DATE	MADE BY	APPROVED BY
1.0	FIRST RELEASE FOR PRODUCTION	JUN 12 06	Y.JZHU	WILSON CHAN



NOTES:
 J6: =0 WIND, =1 WIND +TH/TP
 J7: =0 WIND SPEED, =1 WIND SPEED+DIRECTION
 J10: =0 TEST MODE, =1 NORMAL
 J11: =0 14S, =1 28S
 J1 SHORT

TITLE			
DOC NO.	LS01297	DIVISION	L C D
MODEL NO.	WTGR800	DRAWN	Y.J.ZHU
CAD REF.	WTGR800LS.SCH	CHKD	D.R.ZHOU
PAGE	1 OF 3	APPD.	WILSON CHAN
IDT TECHNOLOGY LTD.			

6

5

4

3

2

1

ISSUE	REVISION	DATE:	MADE BY	APPROVED BY
1.0	FIRST RELEASE FOR PRODUCTION	JUN 12 06	YJZHU	WILSON CHAN

D

D

C

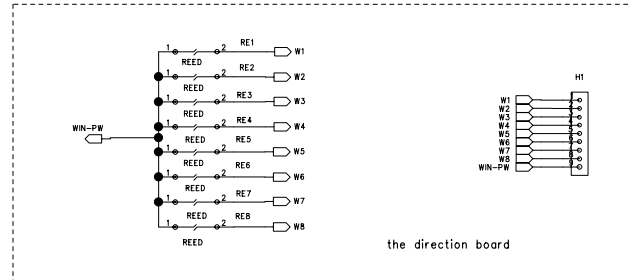
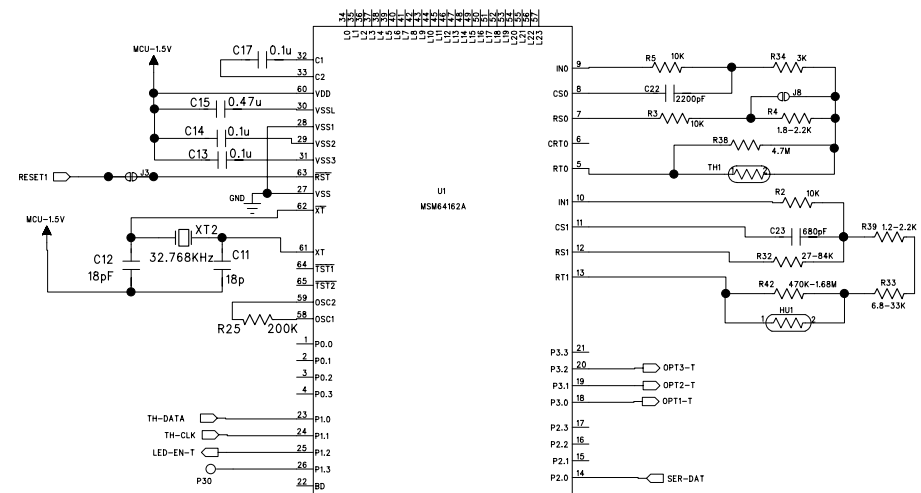
C

B

B

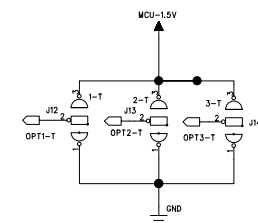
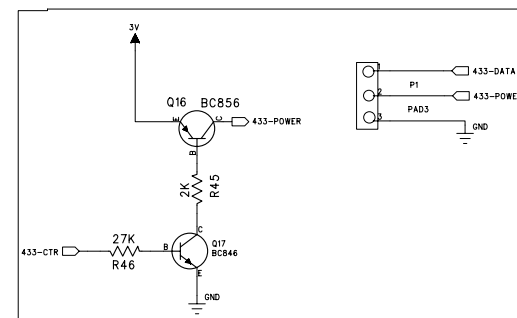
A

A



NOTES:

- J12: =1 TH+TP , =0 TP
- J13: =1 TH/TP+WIND , =0 TH/TP
- J14: =1 NORMAL , =0 TESTING
- J3 SHORT



TITLE				
DOC NO.	LS01297	DIVISION	L C D	
MODEL NO.	WTGR800	DRAWN	YJZHU	
CAD REF.	WTGR800LS.SCH	CHKD	D.R.ZHOU	
PAGE	2	OF	3	APPD. WILSON CHAN
IDT TECHNOLOGY LTD.				

6

5

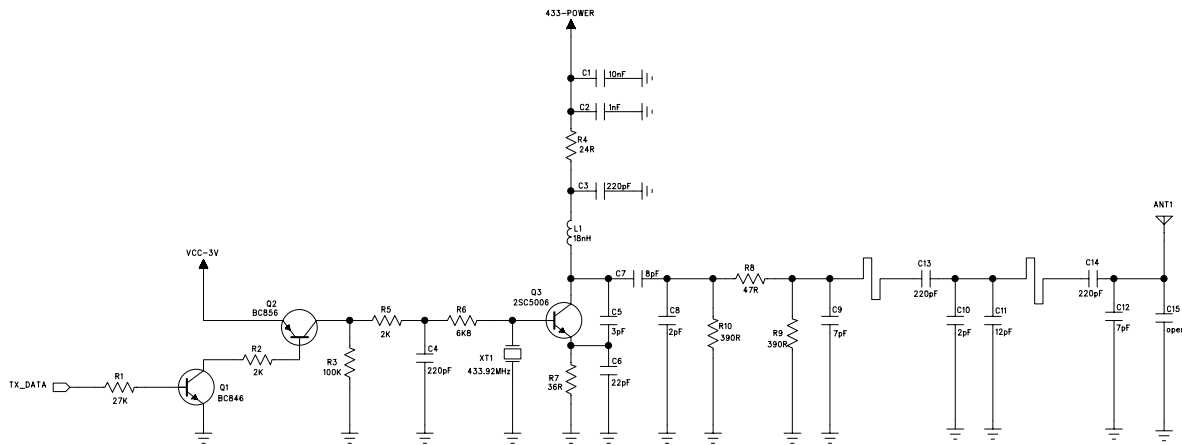
4

3

2

1

ISSUE	REVISION	DATE:	MADE BY	APPROVED BY
1.0	FIRST RELEASE FOR PRODUCTION	JUN 12 06	YJZHU	WILSON CHAN



D

C

B

A

D

C

B

A

TITLE			
DOC NO.	LS01297	DIVISION	L C D
MODEL NO.	WTGR800	DRAWN	YJZHU
CAD REF.	WTGR800TX.SCH	CHKD	D.R.ZHOU
PAGE	3 OF 3	APPD.	WILSON CHAN
IDT TECHNOLOGY LTD.			