

6

5

4

3

2

1

ISSUE	REVISION	DATE:	MADE BY	APPROVED BY
1.0	FIRST RELEASE FOR PRODUCTION	FEB 25 06	Y.J.ZHU	WILSON CHAN

D

D

C

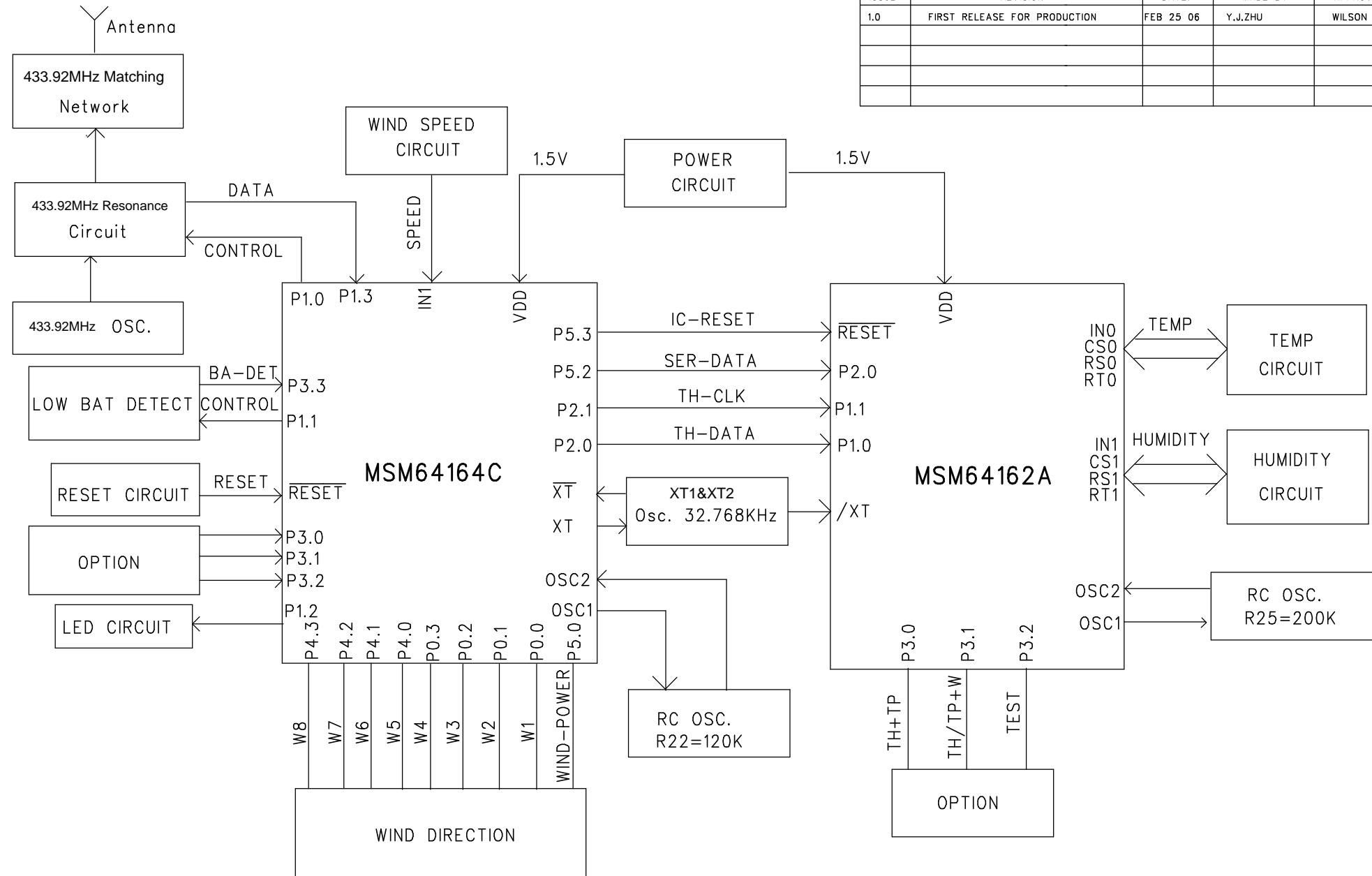
C

B

B

A

A



TITLE		BLOCK DIAGRAM	
DOC NO.	LS01297	DIVISION	L C D
MODEL NO.	WTGR800	DRAWN	Y.J.ZHU
CAD REF.	BLOCK.SCH	CHKD	D.R.ZHOU
PAGE	1 OF 1	APPD.	WILSON CHAN
IDT TECHNOLOGY LTD.			