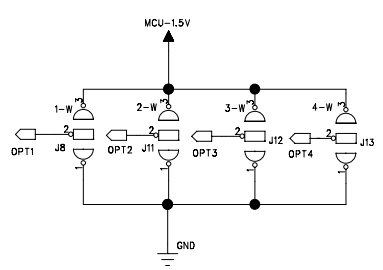
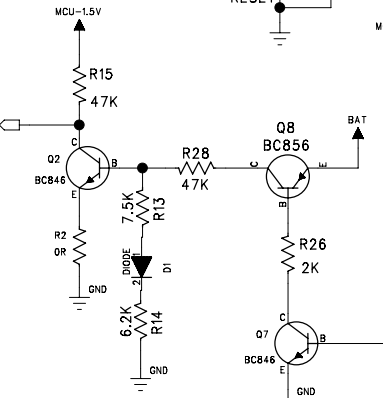
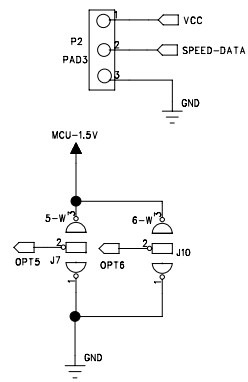
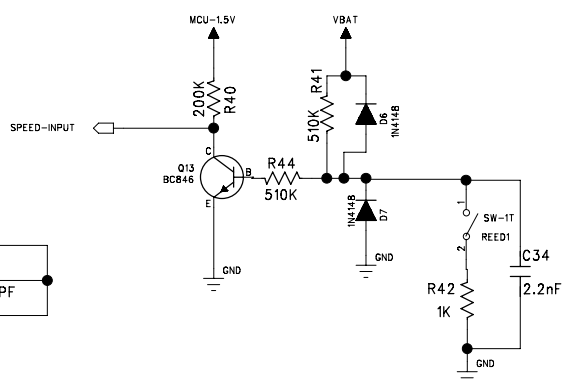
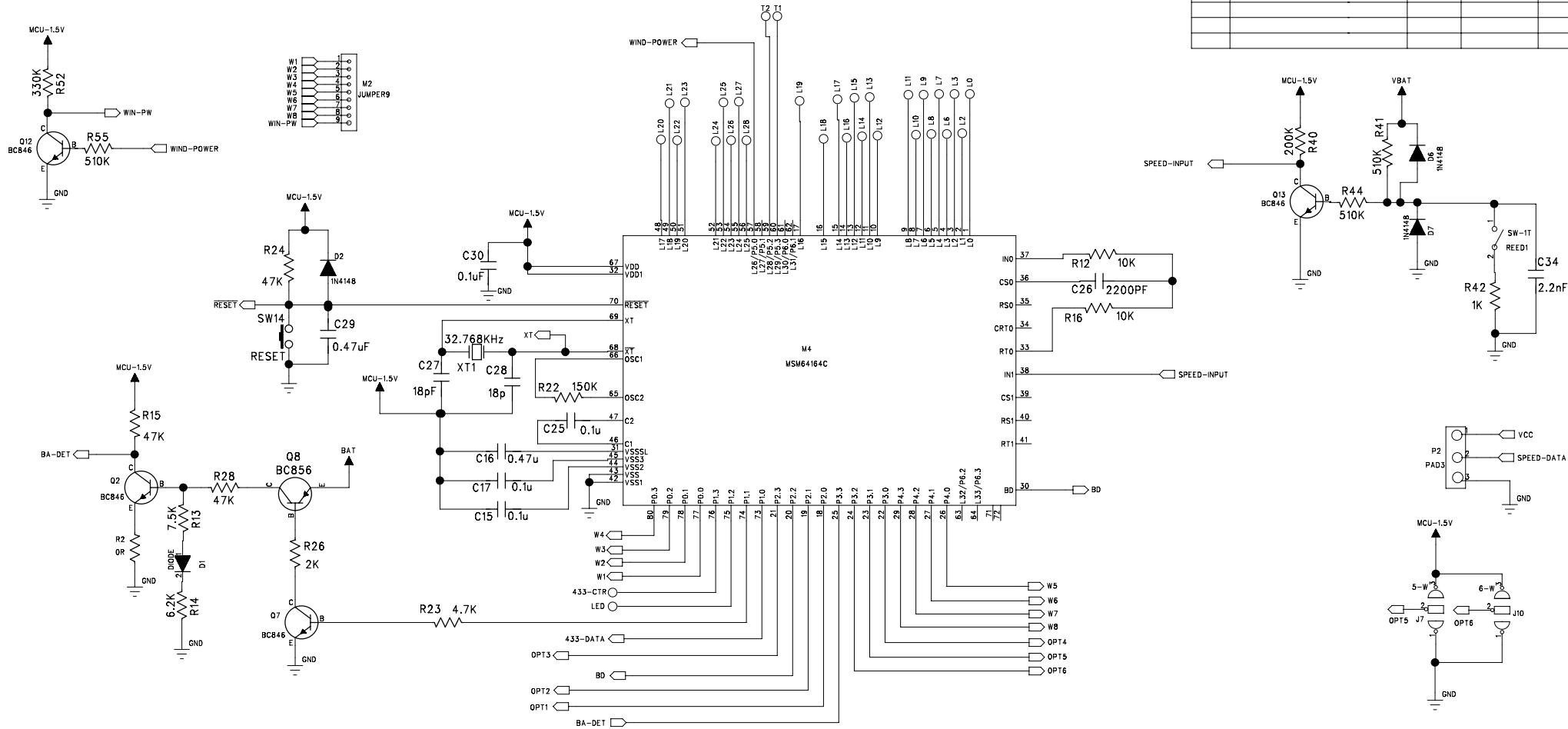


ISSUE	REVISION	DATE:	MADE BY	APPROVED BY
1.0	FIRST RELEASE FOR PRODUCTION	AUG 27 07	YJZHU	WILSON CHAN

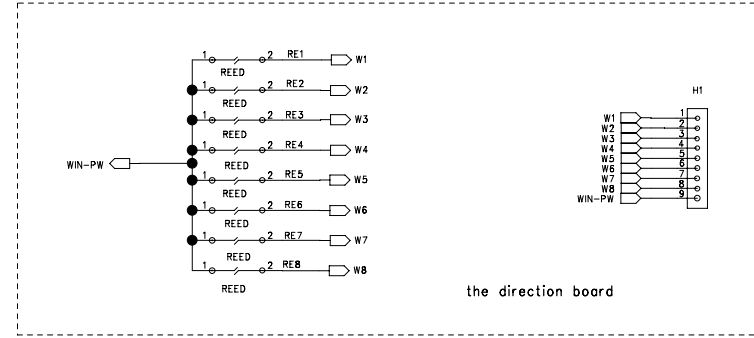
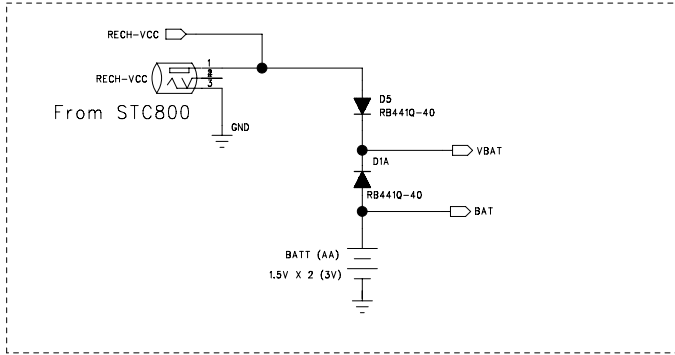


Adjust	J13	J12	J11	J8	Short PAD
+14%	0	1	1	1	
+12%	0	1	1	0	
+10%	0	1	0	1	Short
+8%	0	1	0	0	
+6%	0	0	1	1	
+4%	0	0	1	0	
+2%	0	0	0	1	
0	0	0	0	0	
-2%	1	0	0	1	
-4%	1	0	1	0	
-6%	1	0	1	1	
-8%	1	1	0	0	
-10%	1	1	0	1	
-12%	1	1	1	0	
-14%	1	1	1	1	

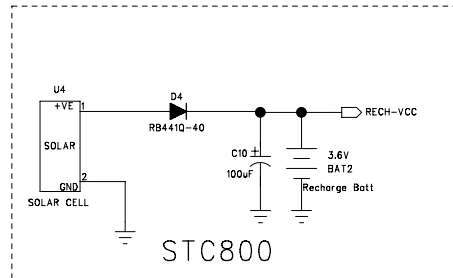
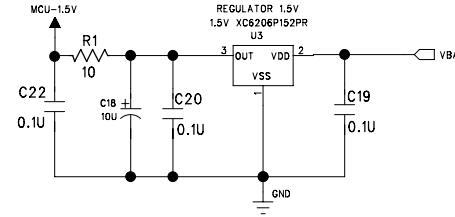
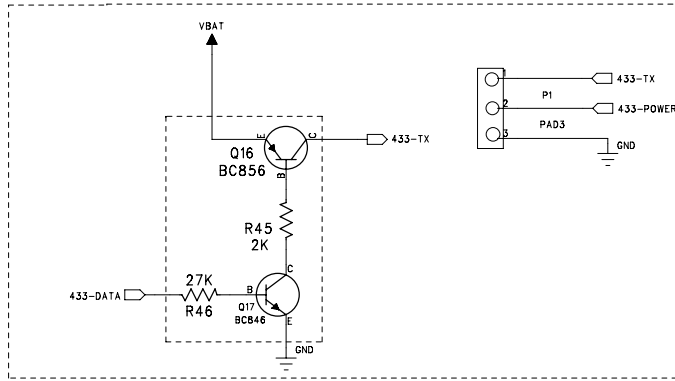
NOTES:
 J7: =0 WIND SPEED, =1 WIND SPEED+DIRECTION
 J10: =0 TEST MODE, =1 NORMAL
 J1 SHORT

TITLE			
DOC NO.	LS01415	DIVISION	L C D
MODEL NO.	WGR800	DRAWN	Y.J.,ZHU
CAD REF.	WGR800L.SCH	CHKD	D.R.ZHOU
PAGE	1	OF	3
APPD.	WILSON CHAN		
IDT TECHNOLOGY LTD.			

ISSUE	REVISION	DATE:	MADE BY	APPROVED BY
1.0	FIRST RELEASE FOR PRODUCTION	AUG 27 07	YJZHU	WILSON CHAN



the direction board



TITLE			
SCHEMATIC DIAGRAM			
DOC NO.	LS01415	DIVISION	L C D
MODEL NO.	WGR800	DRAWN	YJZHU
CAD REF.	WGR800LS.SCH	CHKD	D.R.ZHOU
PAGE	2 OF 3	APPD.	WILSON CHAN
IDT TECHNOLOGY LTD.			

6

5

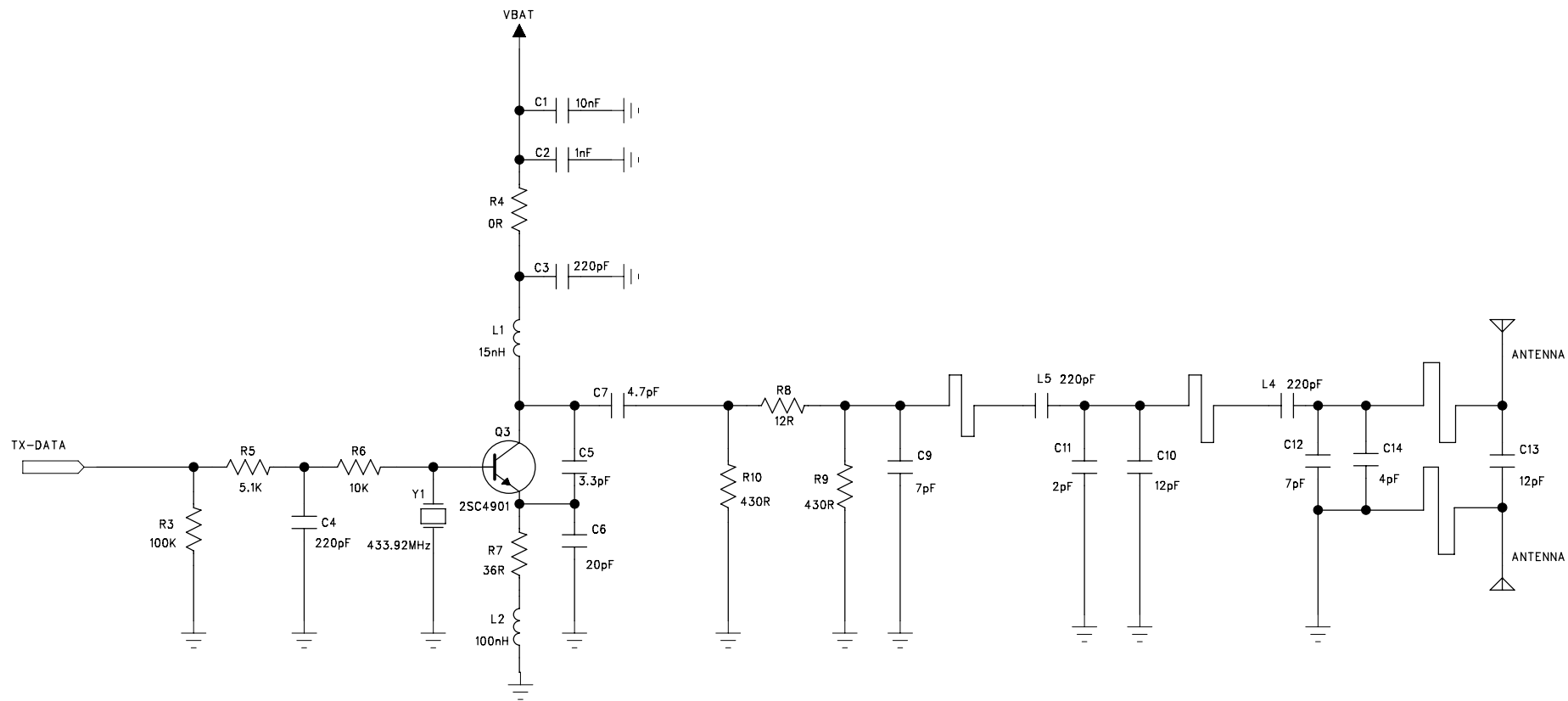
4

3

2

1

ISSUE	REVISION	DATE:	MADE BY	APPROVED BY
1.0	FIRST RELEASE FOR PRODUCTION	AUG 27 07	YJZHU	WILSON CHAN



3V

TITLE		SCHEMATIC DIAGRAM	
DOC NO.	LS01415	DIVISION	L C D
MODEL NO.	WGR800	DRAWN	YJZHU
CAD REF.	WGR800-TX.SCH	CHKD	DRZHOU
PAGE	3 OF 3	APPD.	WILSON CHAN
IDT TECHNOLOGY LTD.			