

6

5

4

3

2

1

| ISSUE | REVISION | DATE: | MADE BY | APPROVED BY |
|-------|------------------------------|-----------|---------|-------------|
| 1.0 | FIRST RELEASE FOR PRODUCTION | JUL 05 07 | Y.J.ZHU | WILSON CHAN |
| | | | | |
| | | | | |
| | | | | |

D

D

C

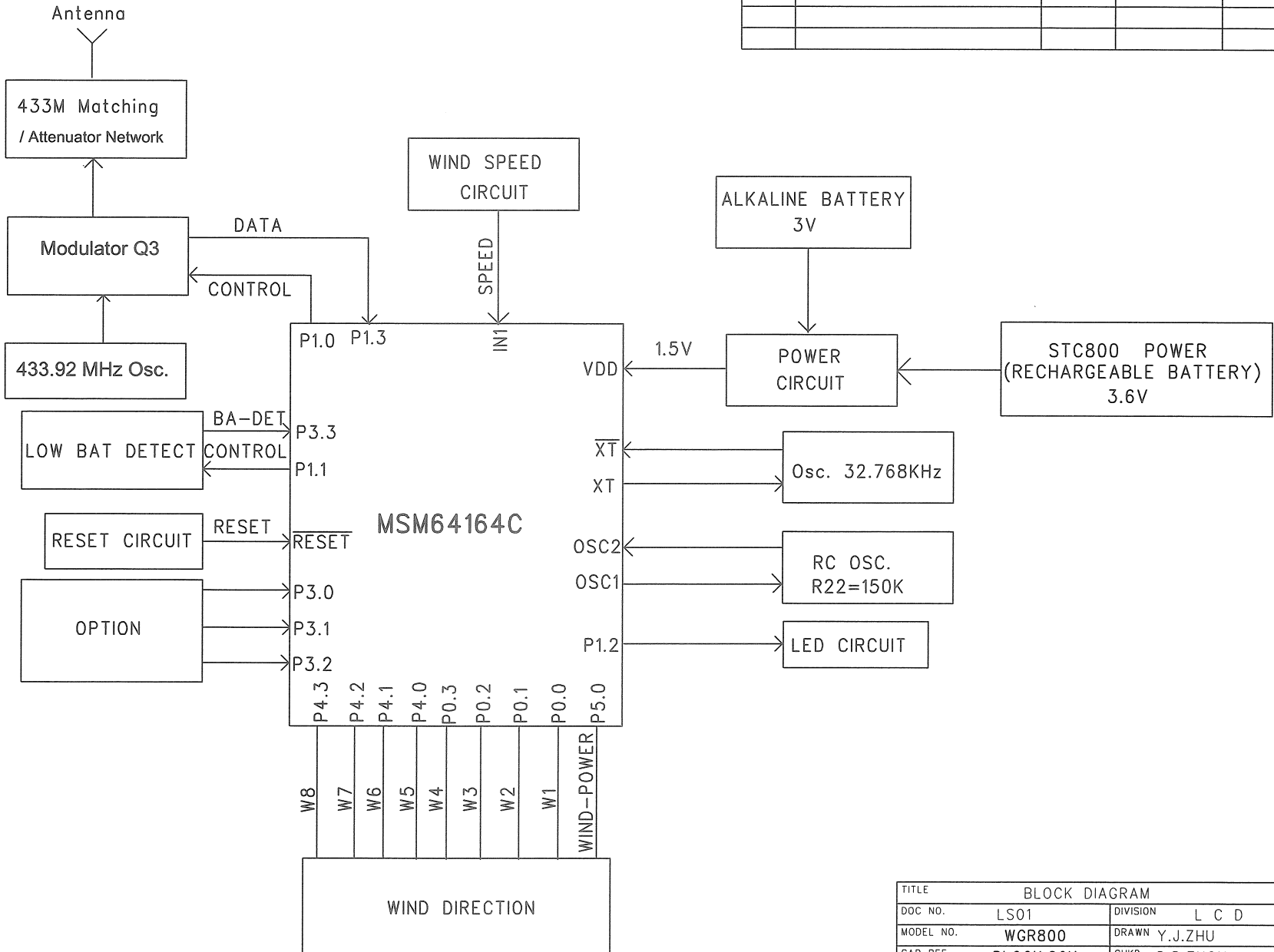
C

B

B

A

A



| TITLE | | | |
|---------------------|-----------|----------|-------------|
| BLOCK DIAGRAM | | | |
| DOC NO. | LS01 | DIVISION | L C D |
| MODEL NO. | WGR800 | DRAWN | Y.J.ZHU |
| CAD REF. | BLOCK.SCH | CHKD | D.R.ZHOU |
| PAGE | 1 | OF | 1 |
| | | APPD. | WILSON CHAN |
| IDT TECHNOLOGY LTD. | | | |