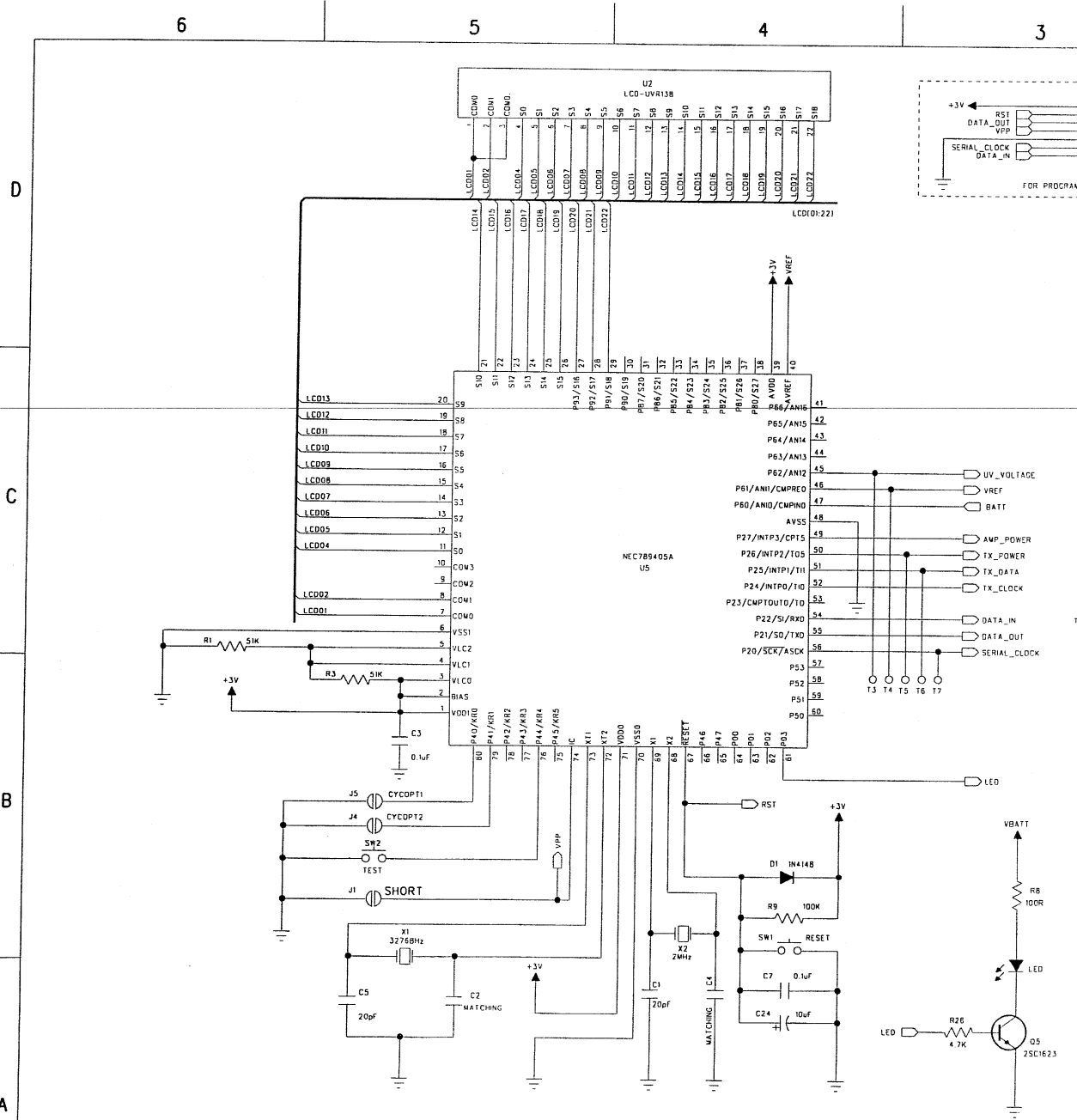
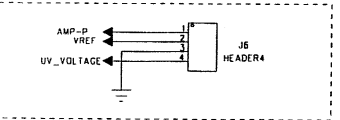
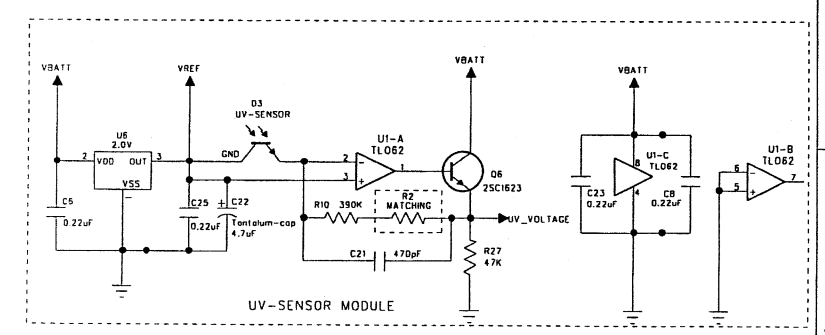
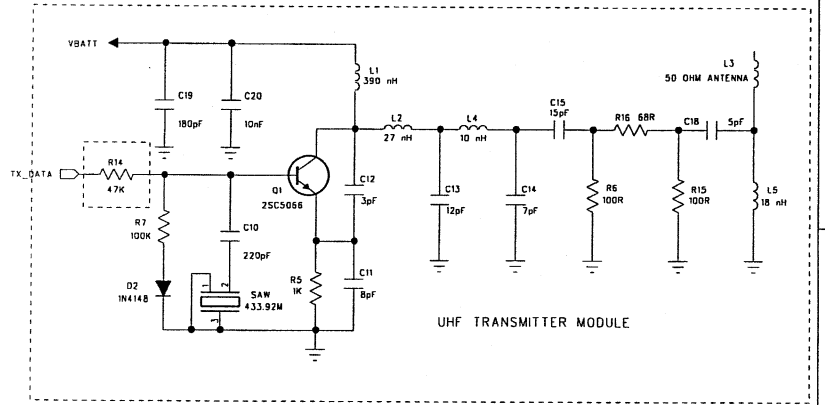
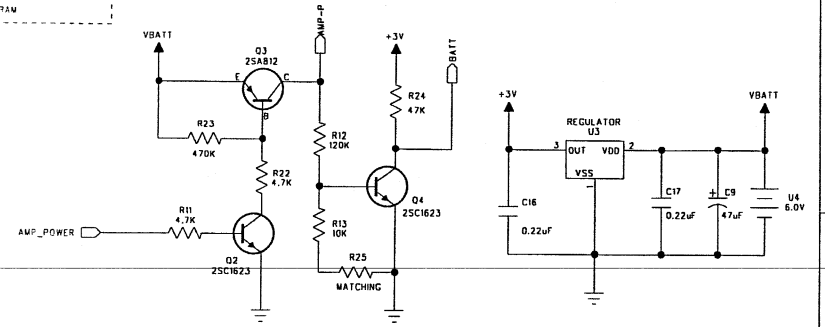
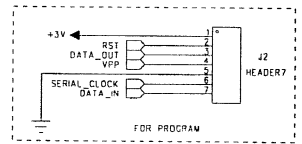


UVR138A.sch-1 - Sat Feb 21 10:04:16 2004

ISSUE	REVISION	DATE:	MADE BY	APPROVED BY
1.0	FIRST RELEASE FOR REFERENCE	FEB/17/04	Y.SUN	EDDY



REMARK: LOW-BATT DECT CHANGE TO 3.5-3.8V



TITLE			
SCHEMATIC DIAGRAM			
DOC NO.	L500XXX	DIVISION	L C D
MODEL NO.	UVR138	DRAWN	Y.SUN
CAD REF.	UVR13803.SCH	CHKD	K.F.CHAN
PAGE	1	OF	1
APPD		EDDY TSANG	
IDT TECHNOLOGY LTD.			