

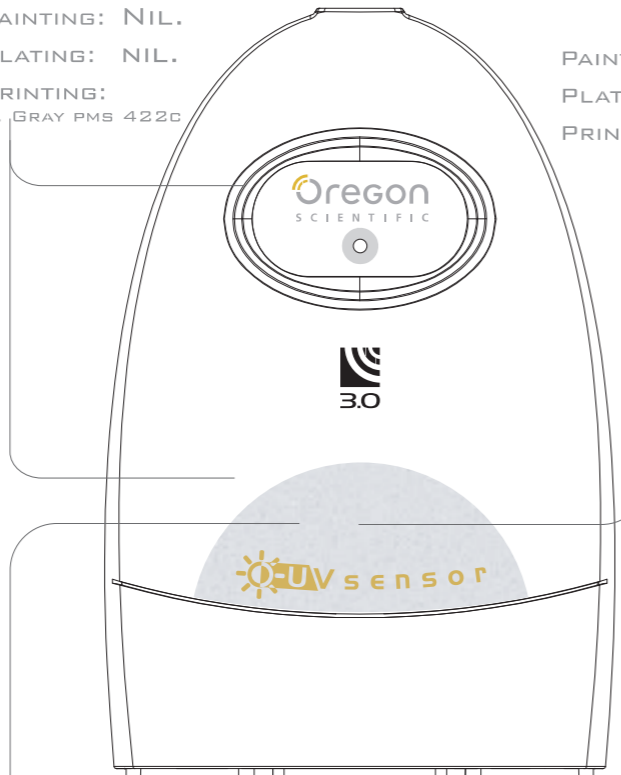
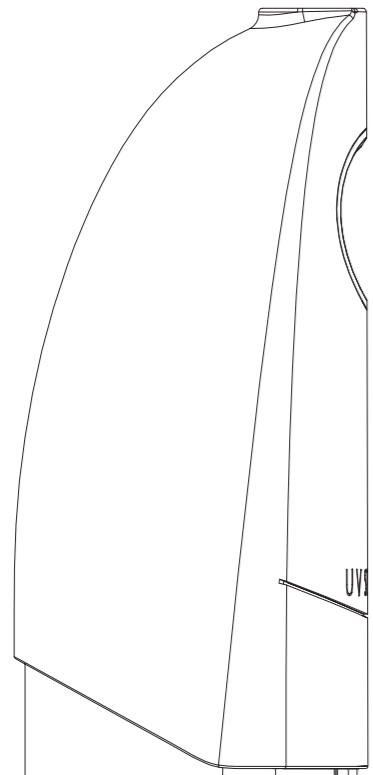
TOP COVER

MATERIAL: ABS
 COLOR: WHITE
 FINISHING: HIGH GLOSS
 PAINTING: NIL.
 PLATING: NIL.
 PRINTING:
 D. GRAY PMS 422C

TOP COVER

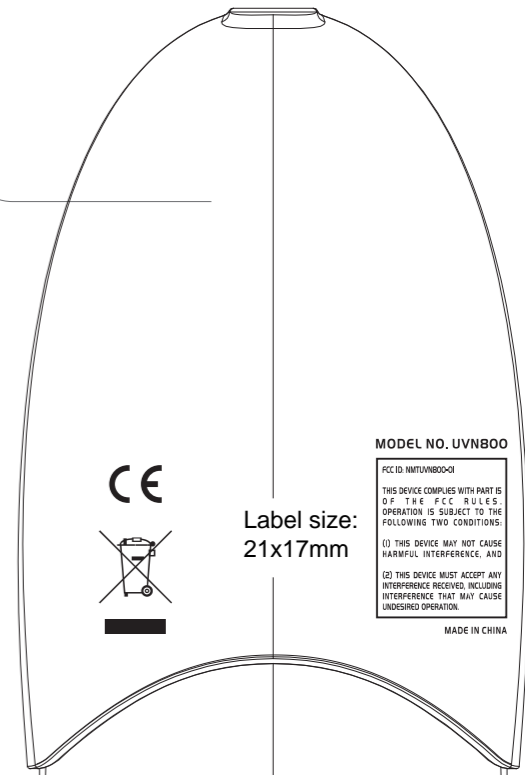
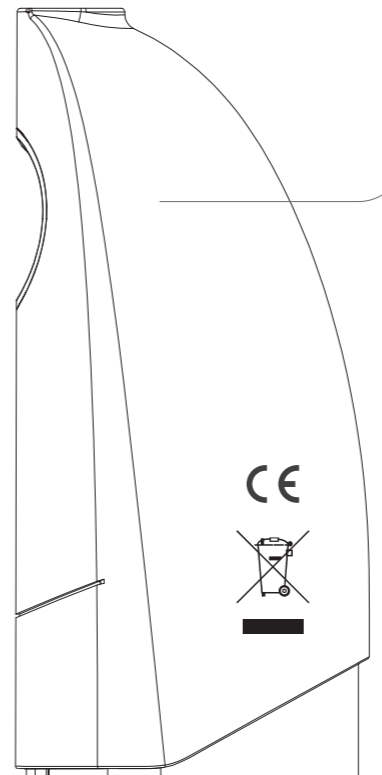
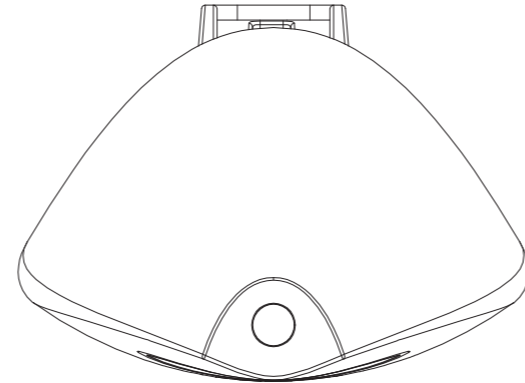
MATERIAL: ABS
 COLOR: WHITE
 FINISHING: ROUGH TEXTURE/
 TEXTURE YS 1289A (MATTE)
 PAINTING: NIL.
 PLATING: NIL.
 PRINTING: NIL.

SILKSCREEN COLOR
 D. GRAY PMS 422C



DISPLAY LENS

Oregon SCIENTIFIC
 COOL L. GRAY PMS 4C
 BACKGROUND IN WHITE
 SILKSCREEN COLOR
 D. GRAY PMS 425C
 ORANGE PMS 144C



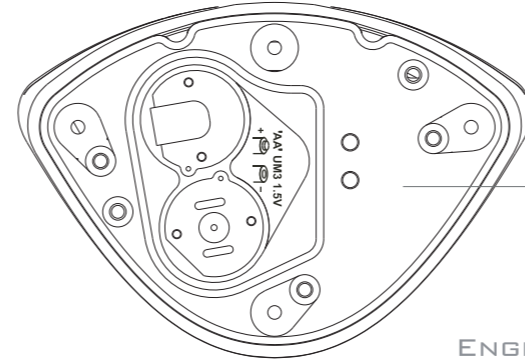
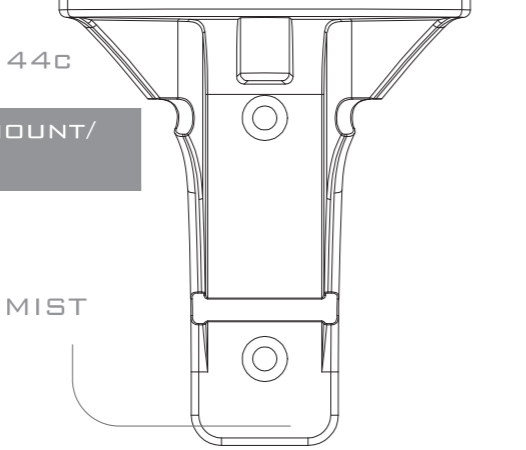
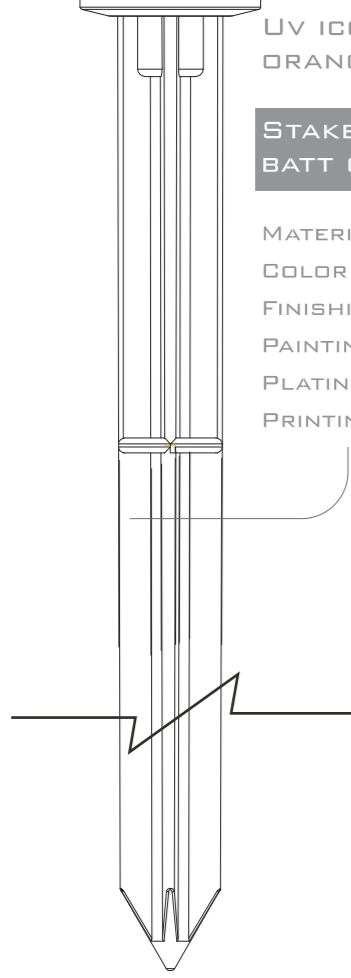
MODEL NO. UVN800
THIS DEVICE COMPLIES WITH PART 15 OF THE FCC RULES. OPERATION IS SUBJECT TO THE FOLLOWING TWO CONDITIONS:
 (1) THIS DEVICE MAY NOT CAUSE HARMFUL INTERFERENCE, AND
 (2) THIS DEVICE MUST ACCEPT ANY INTERFERENCE PROVIDED, INCLUDING INTERFERENCE THAT MAY CAUSE UNDESIRABLE OPERATION.
 MADE IN CHINA

Label size:
 21x17mm

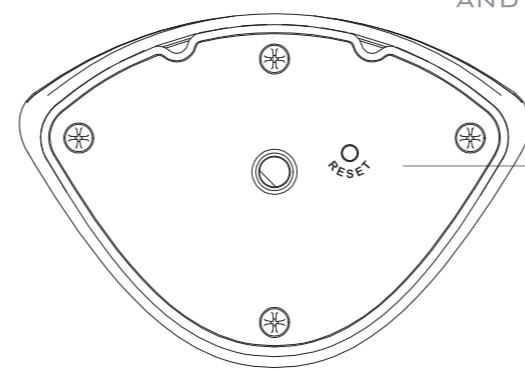
UV ICON
 ORANGE PMS 144C

STAKE/ WALL MOUNT/ BATT COVER

MATERIAL: ABS
 COLOR: WHITE
 FINISHING: FINE MIST
 PAINTING: NIL.
 PLATING: NIL.
 PRINTING: NIL.



ENGRAVE TEXT
 AND ICONS



APPROVAL

| | | | | |
|------|-------|------|---------|-------|
| AW | (PDD) | TEXT | (ENG) | TRANS |
| DATE | | DATE | | DATE |
| AW | (CU) | TEX | (P MGR) | |
| DATE | | DATE | | DATE |

MKTR : MICHAEL NG (WOL 0604006)

| | |
|-------------------------------|---------------------|
| MODEL: UVN800 | CU : OSI-USA |
| TITLE: COLOUR SPEC. | (REV. 5) |
| PREPARED BY: JEAN / WINNIE SO | |
| DATE: 24 MAY, 2006 | FILE : UVN800-CS.ai |
| F/O: | P/N.: |