

6

5

4

3

2

1

ISSUE	REVISION	DATE:	MADE BY	APPROVED BY
1.0	FIRST RELEASE FOR PRODUCTION	May 11,06	D.J.P	WILSON CHAN

D

C

B

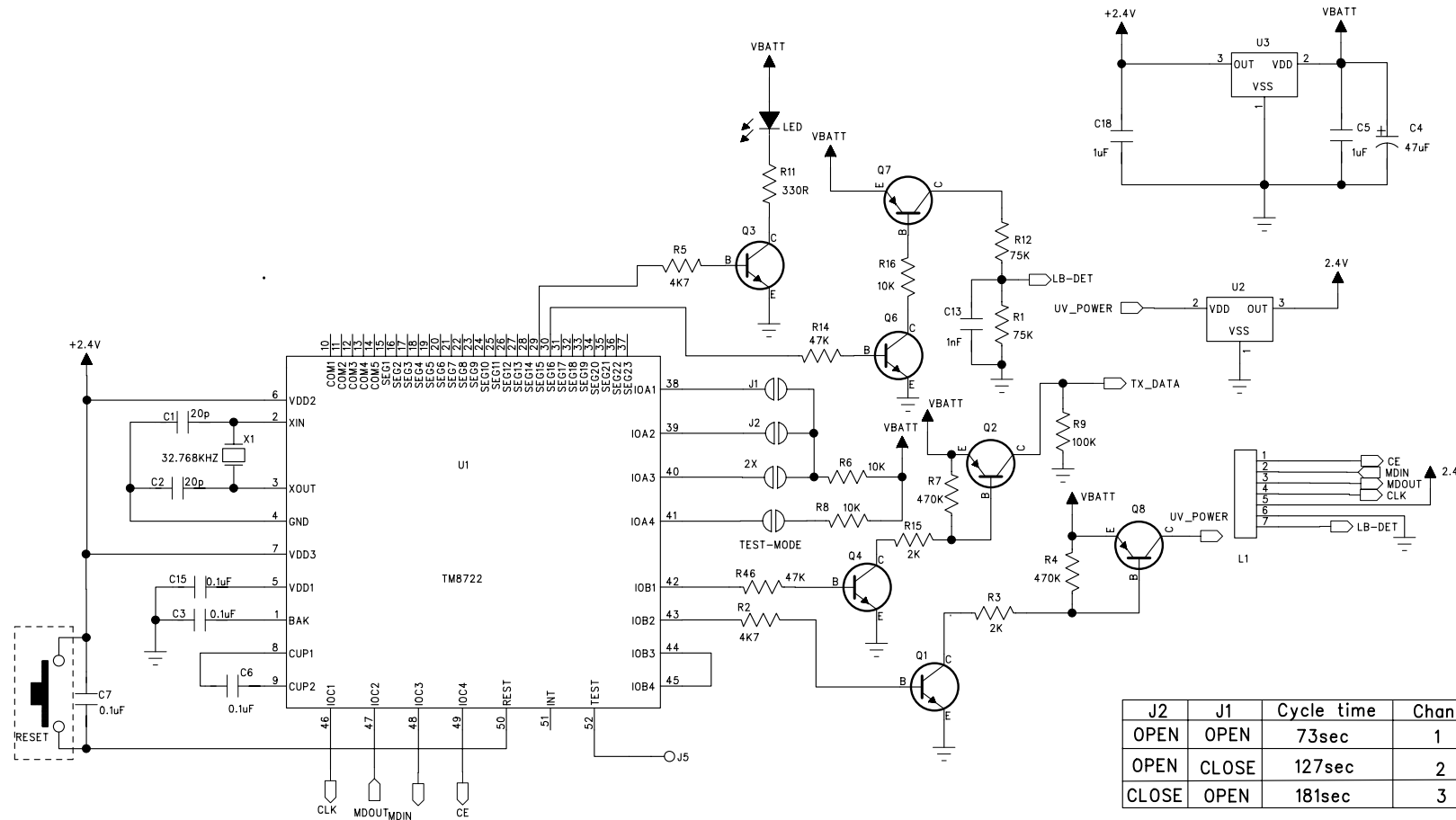
A

D

C

B

A



J2	J1	Cycle time	Channel
OPEN	OPEN	73sec	1
OPEN	CLOSE	127sec	2
CLOSE	OPEN	181sec	3

Remarks:
1. No LCD Display in this model.

TITLE		SCHEMATIC DIAGRAM	
DOC NO.	LS01259	DIVISION	L C D
MODEL NO.	UVN800	DRAWN	DING JIAN PING
CAD REF.	UVN800.SCH	CHKD	DRZHOU
PAGE	1 OF 3	APPD.	WILSON CHAN
IDT TECHNOLOGY LTD.			

6

5

4

3

2

1

ISSUE	REVISION	DATE:	MADE BY	APPROVED BY
1.0	FIRST RELEASE FOR PRODUCTION	May/11/06	D.J.P	WILSON CHAN

D

D

C

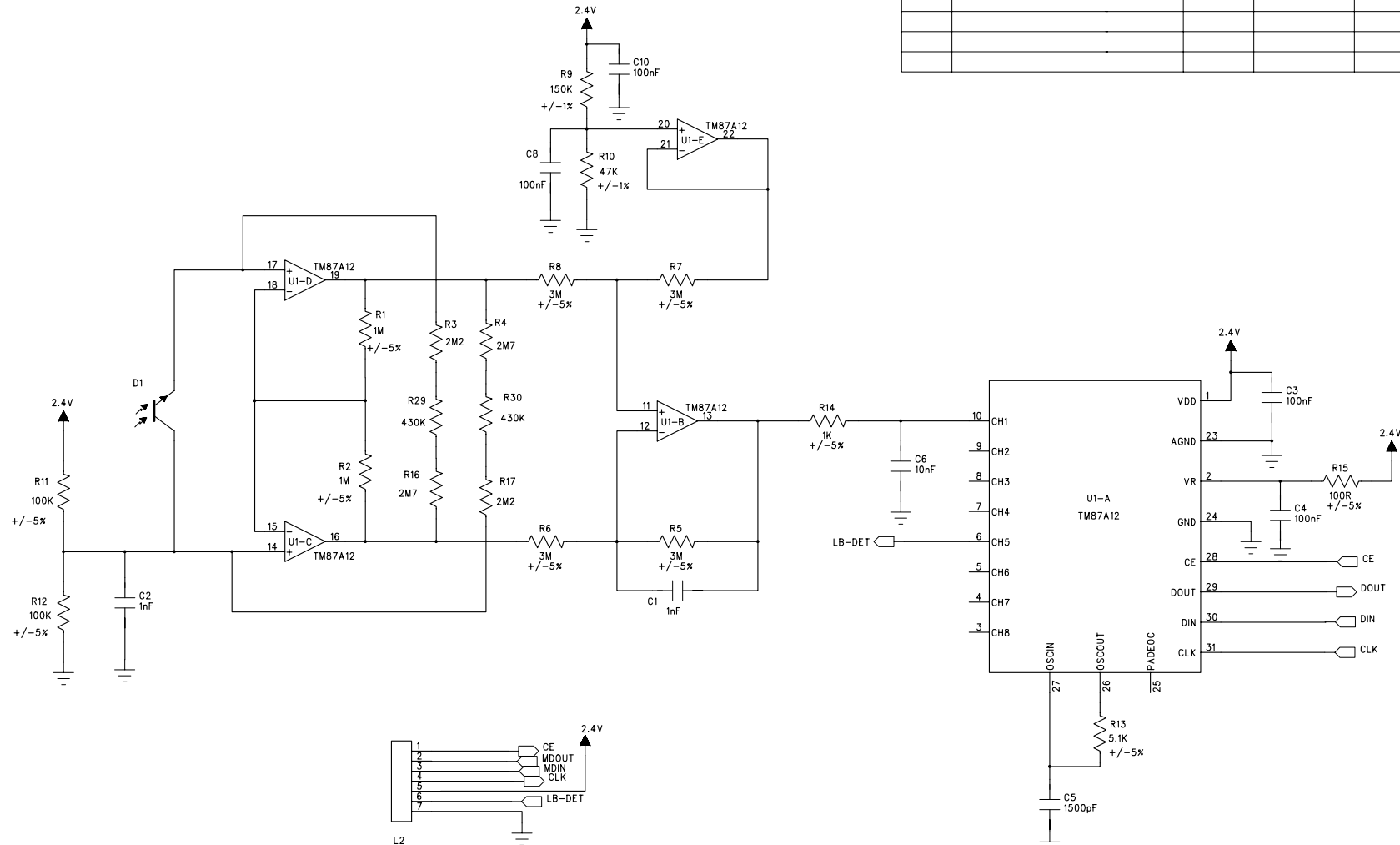
C

B

B

A

A



TITLE		SCHEMATIC DIAGRAM	
DOC NO.	LS01259	DIVISION	L C D
MODEL NO.	UVN800	DRAWN	DING JIAN PING
CAD REF.	UVN800.SCH	CHKD	DRZHOU
PAGE	2	OF	3
		APPD.	WILSON CHAN
IDT TECHNOLOGY LTD.			

6

5

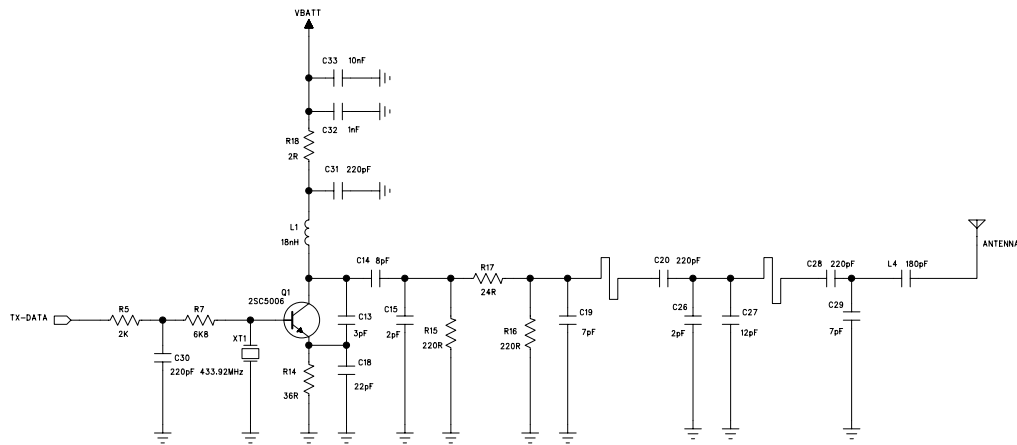
4

3

2

1

ISSUE	REVISION	DATE	MADE BY	APPROVED BY
1.0	FIRST RELEASE FOR PRODUCTION	MAY/11/06	D.J.P	WILSON CHAN



D

C

B

A

D

C

B

A

PAGE 3 OF 3

TITLE MAIN BOARD SCHEMATIC DIAGRAM			
DOC NO.	LS01259	DIVISION	LCD PDD
MODEL NO.	UVN800	DRAWN	DING JIAN PING
CAD REF.	UVN800.SCH	CHKD	WILSON CHAN
PAGE	3 OF 3	APPD.	WILSON CHAN
IDT TECHNOLOGY LTD.			