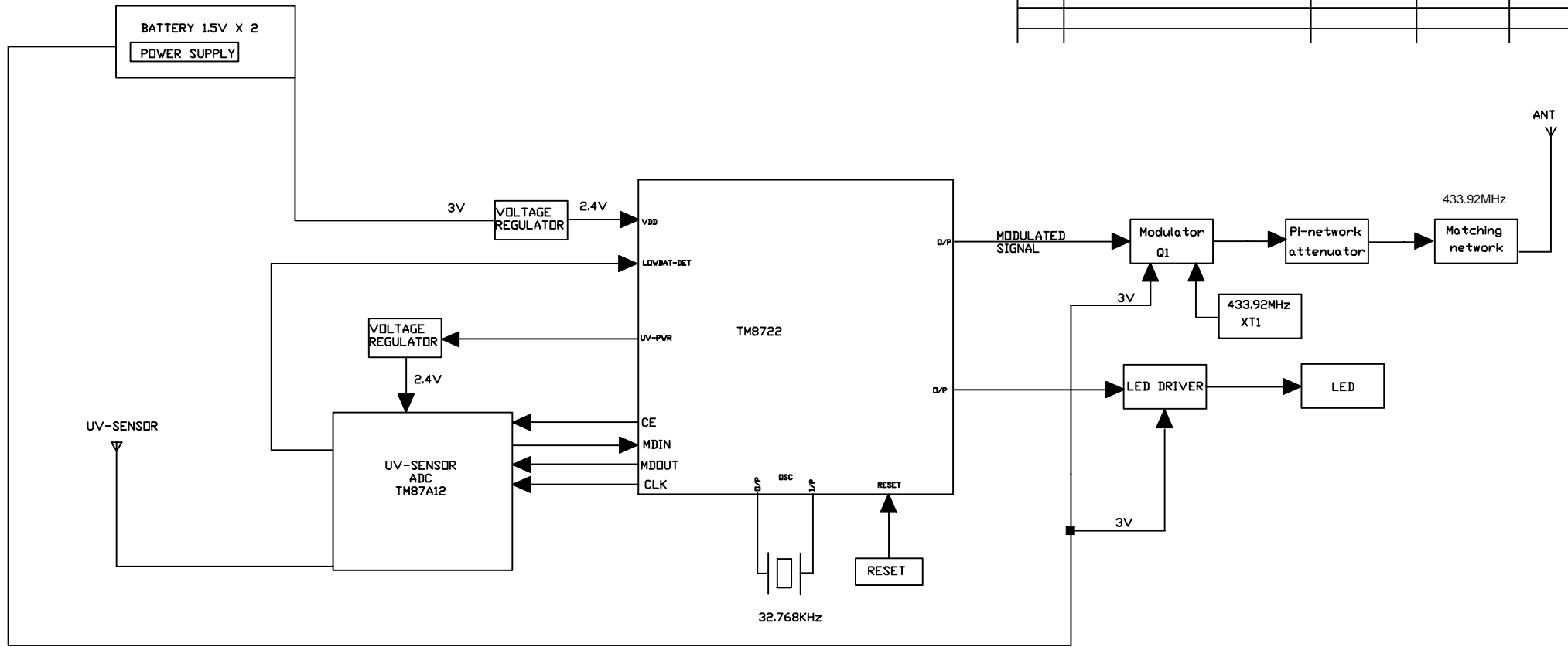


REV.	ISSUE FOR	DATE	MADE BY	APPD BY
1.0	FIRST RELEASE FOR PRODUCTION	Jun 14 06	D.J.P	WILSON CHAN



3V

DO NOT SCALE DRAWING

TITLE COMPONENT LAYOUT		MODEL NO. UVN800
MATERIAL N/A		PART NO. / DOC. NO. LC00894
FINISH N/A		DRAWN DING JIAN PING
CAD REF. UVN800.DWG		CHKD DRZHOU
PAGE 1	OF 1	APPD WILSON CHAN
SCALE N/A		DATE
GENERAL TOLERANCE		DATE
LINEAR DIMENSIONS ±0.1		DATE
ANGULAR PORTIONS ±0.25°		DATE

