

6

5

4

3

2

1

ISSUE	REVISION	DATE:	MADE BY	APPROVED BY
1.0	FIRST RELEASE FOR PRODUCTION	MAR/04/08	ZGLOU	YSUN

D

D

C

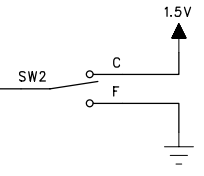
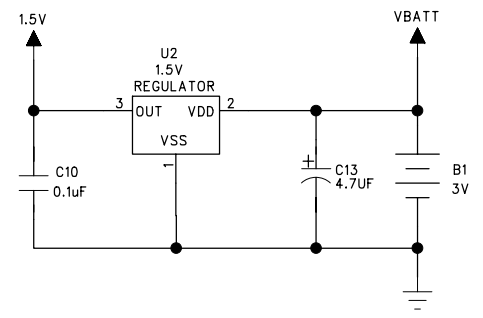
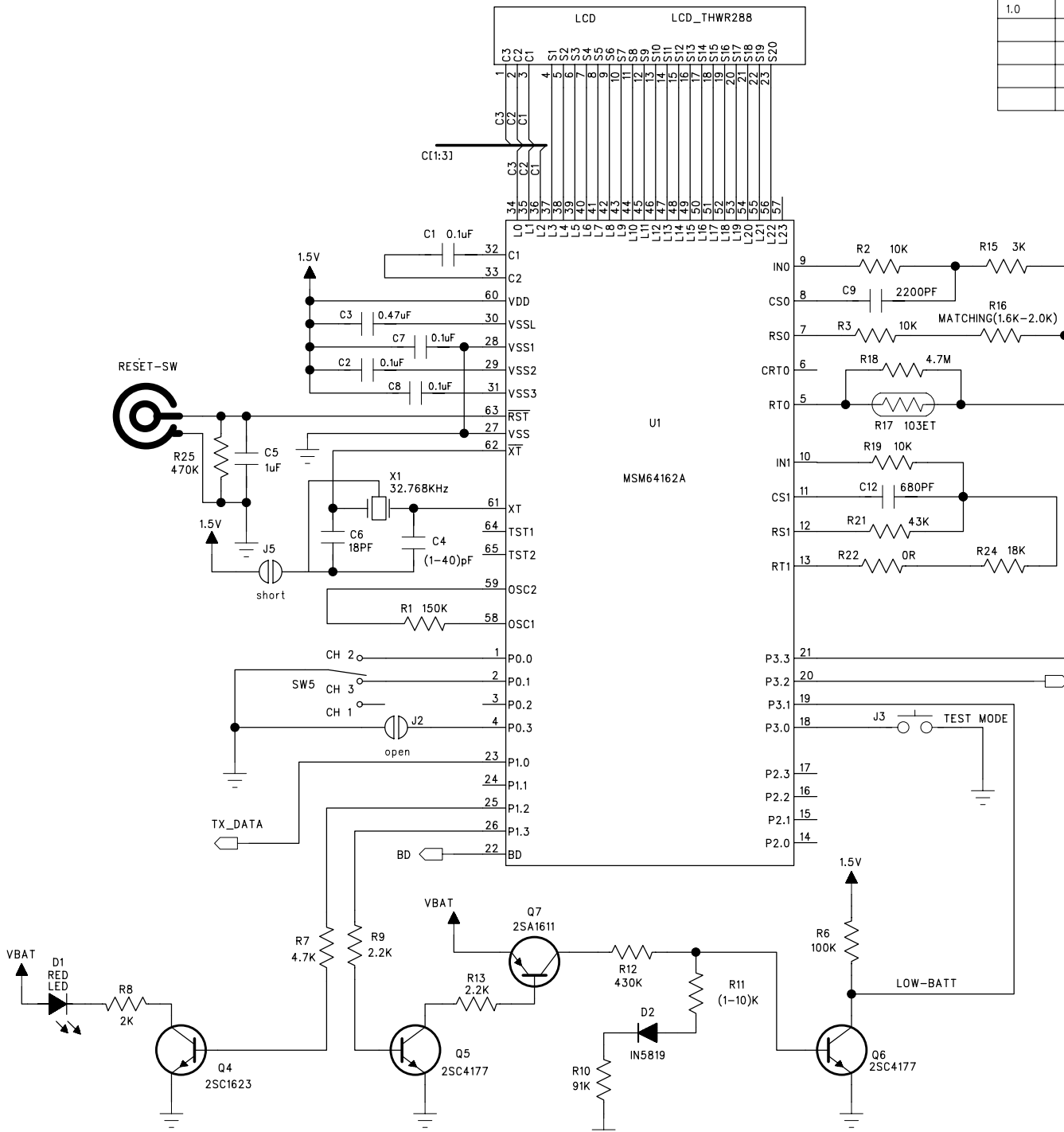
C

B

B

A

A



TITLE		SCHEMATIC DIAGRAM	
DOC NO.	LSOXXXX	DIVISION	L C D
MODEL NO.	THWR800A	DRAWN	ZGLOU
CAD REF.	THWR800A.SCH	CHKD	YSUN
PAGE	1 OF 2	APPD.	YSUN
IDT TECHNOLOGY LTD.			

6

5

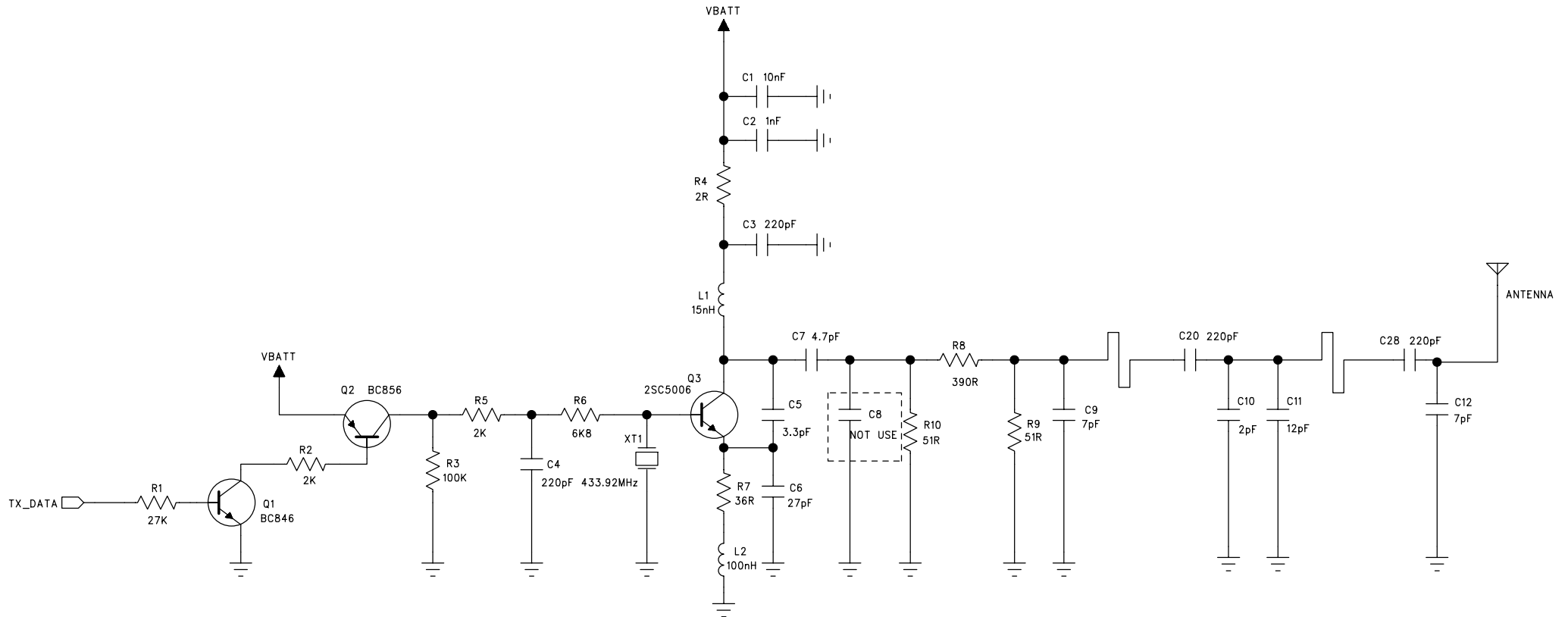
4

3

2

1

ISSUE	REVISION	DATE:	MADE BY	APPROVED BY
1.0	First Release For Production	MAR/04/08	ZGLOU	YSUN



TITLE		SCHEMATIC DIAGRAM	
DOC NO.	LSXXXXX	DIVISION	LCD
MODEL NO.	THWR800A	DRAWN	ZGLOU
CAD REF.	THWR800A.SCH	CHKD	YSUN
PAGE	2 OF 2	APPD.	YSUN
IDT TECHNOLOGY LTD.			