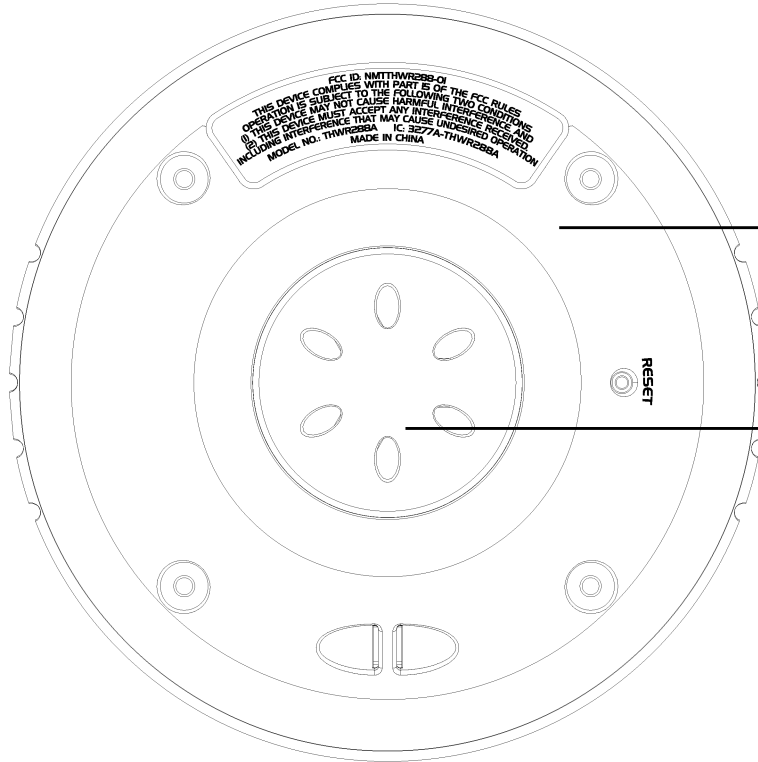


Prüfbericht - Nr.:
Test Report No.

14008786 002

Seite 3 von 6
Page 3 of 6

FCC Label and location



**REAR CAB COLOR IN
RS WHITE
TEXTURE IN FINE MATT**