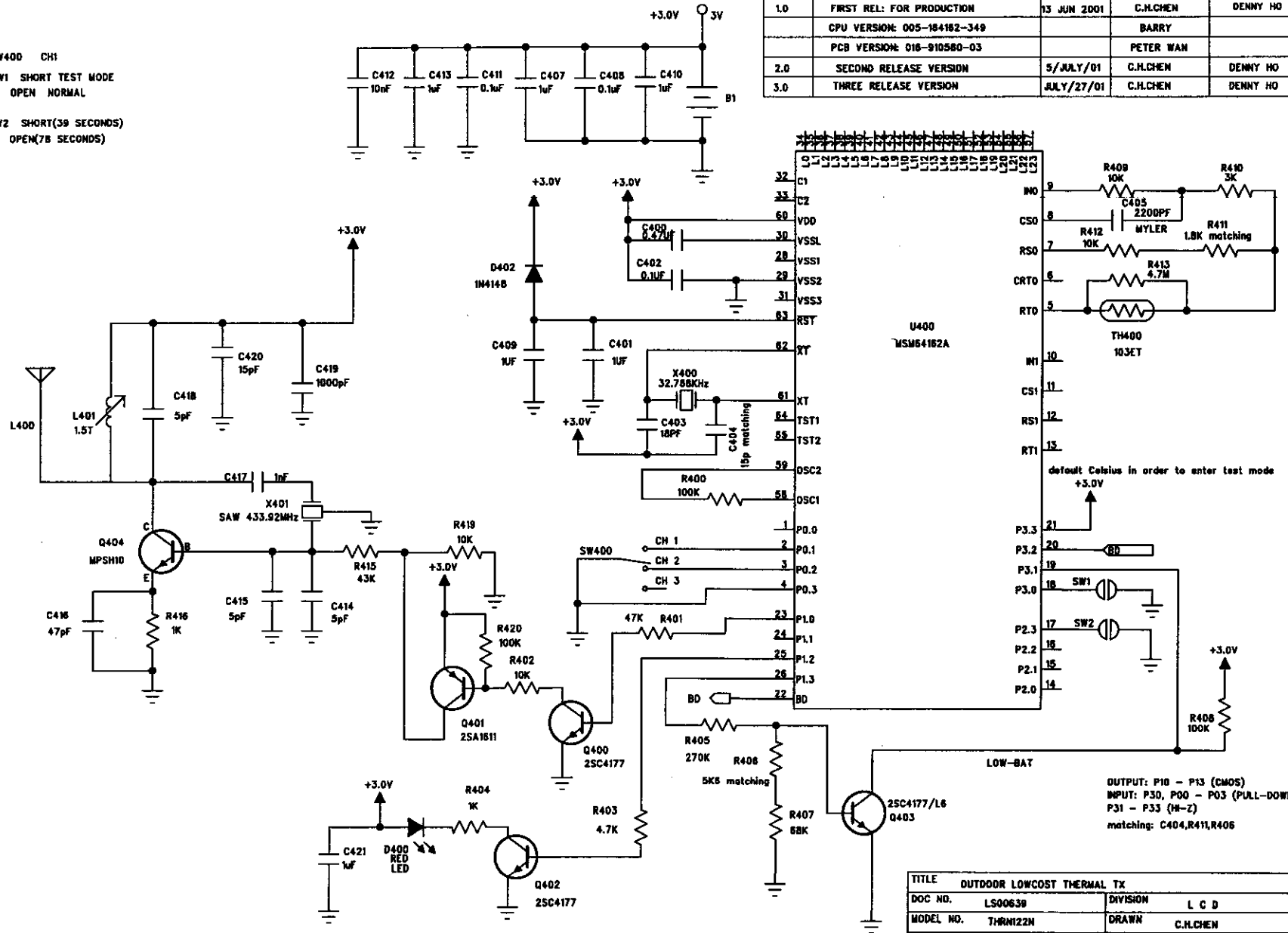


- NOTICE:
- SW400 CH1
 - SW1 SHORT TEST MODE
OPEN NORMAL
 - SW2 SHORT(39 SECONDS)
OPEN(78 SECONDS)

ISSUE	REVISION	DATE	MADE BY	APPROVED BY
1.0	FIRST REL: FOR PRODUCTION	13 JUN 2001	C.H.CHEN	DENNY HO
	CPU VERSION: 005-184182-349		BARRY	
	PCB VERSION: 016-910580-03		PETER WAN	
2.0	SECOND RELEASE VERSION	5/JULY/01	C.H.CHEN	DENNY HO
3.0	THREE RELEASE VERSION	JULY/27/01	C.H.CHEN	DENNY HO



default Celsius in order to enter test mode
+3.0V

OUTPUT: P10 - P13 (CMOS)
INPUT: P30, P00 - P03 (PULL-DOWN)
P31 - P33 (H-Z)
matching: C404, R411, R406

TITLE			
OUTDOOR LOWCOST THERMAL TX			
DOC NO.	LS00639	DIVISION	L C D
MODEL NO.	THR122N	DRAWN	C.H.CHEN
CAD REF.	THR122NS03.SCH	CHKD	PETER WAN
PAGE	1 OF 1	APPD.	DENNY HO

IDT TECHNOLOGY LTD.