

6

5

4

3

2

1

ISSUE	REVISION	DATE:	MADE BY	APPROVED BY
1.0	FIRST RELEASE FOR PRODUCTION	JUL/17/00	Y.SUN	K.S.WONG

D

D

C

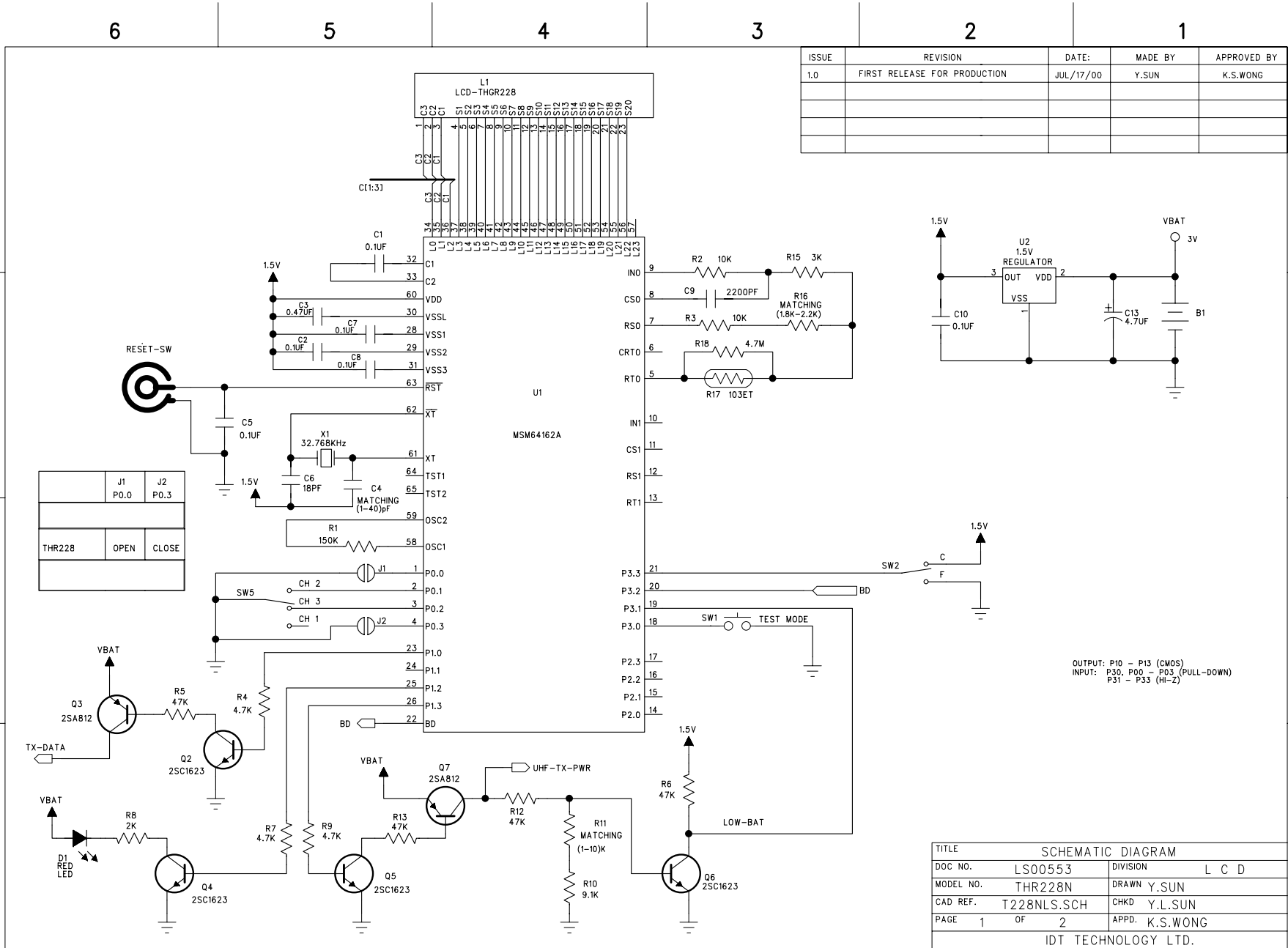
C

B

B

A

A



J1	J2
P0.0	P0.3
THR228	OPEN
	CLOSE

OUTPUT: P10 - P13 (CMOS)
 INPUT: P30, P00 - P03 (PULL-DOWN)
 P31 - P33 (HI-Z)

TITLE		SCHEMATIC DIAGRAM	
DOC NO.	LS00553	DIVISION	L C D
MODEL NO.	THR228N	DRAWN	Y.SUN
CAD REF.	T228NLS.SCH	CHKD	Y.L.SUN
PAGE	1 OF 2	APPD.	K.S.WONG
IDT TECHNOLOGY LTD.			

6

5

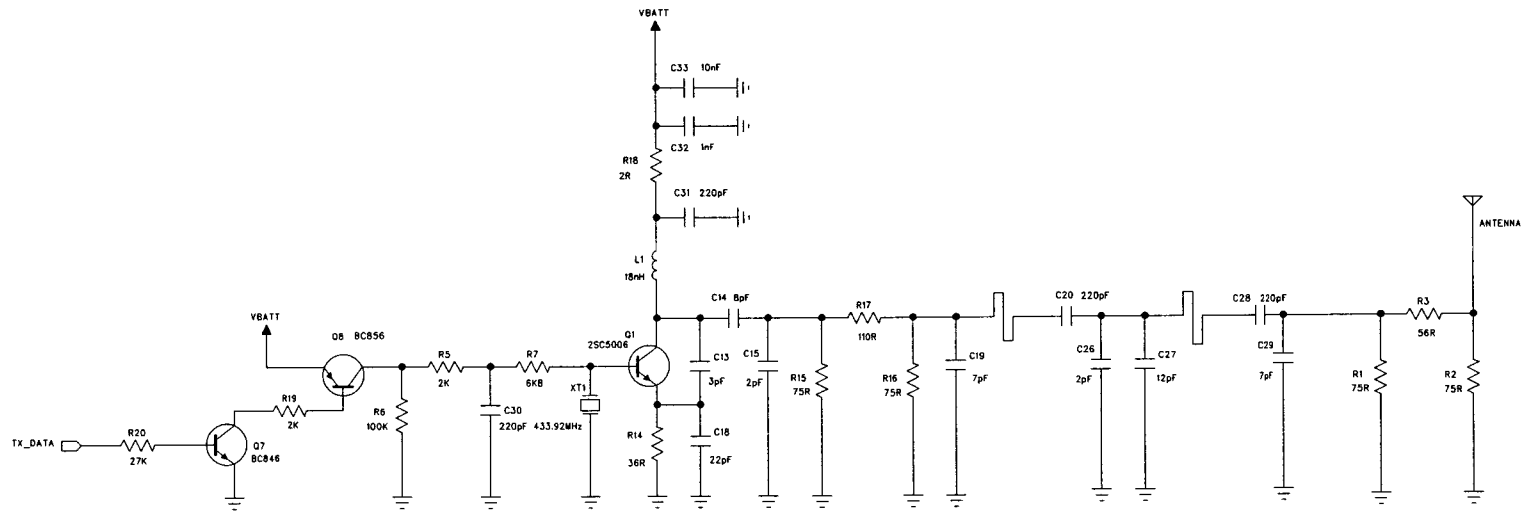
4

3

2

1

ISSUE	REVISION	DATE	MADE BY	APPROVED BY
1.0	FIRST RELEASE FOR REFERENCE			



TITLE		SCHEMATIC DIAGRAM	
DOC NO.	LS00XXX	DIVISION	L C D
MODEL NO.		DRAWN	
CAD REF.		CHKD	
PAGE	1	OF	1
		APPD.	
IDT TECHNOLOGY LTD.			

7/13/05