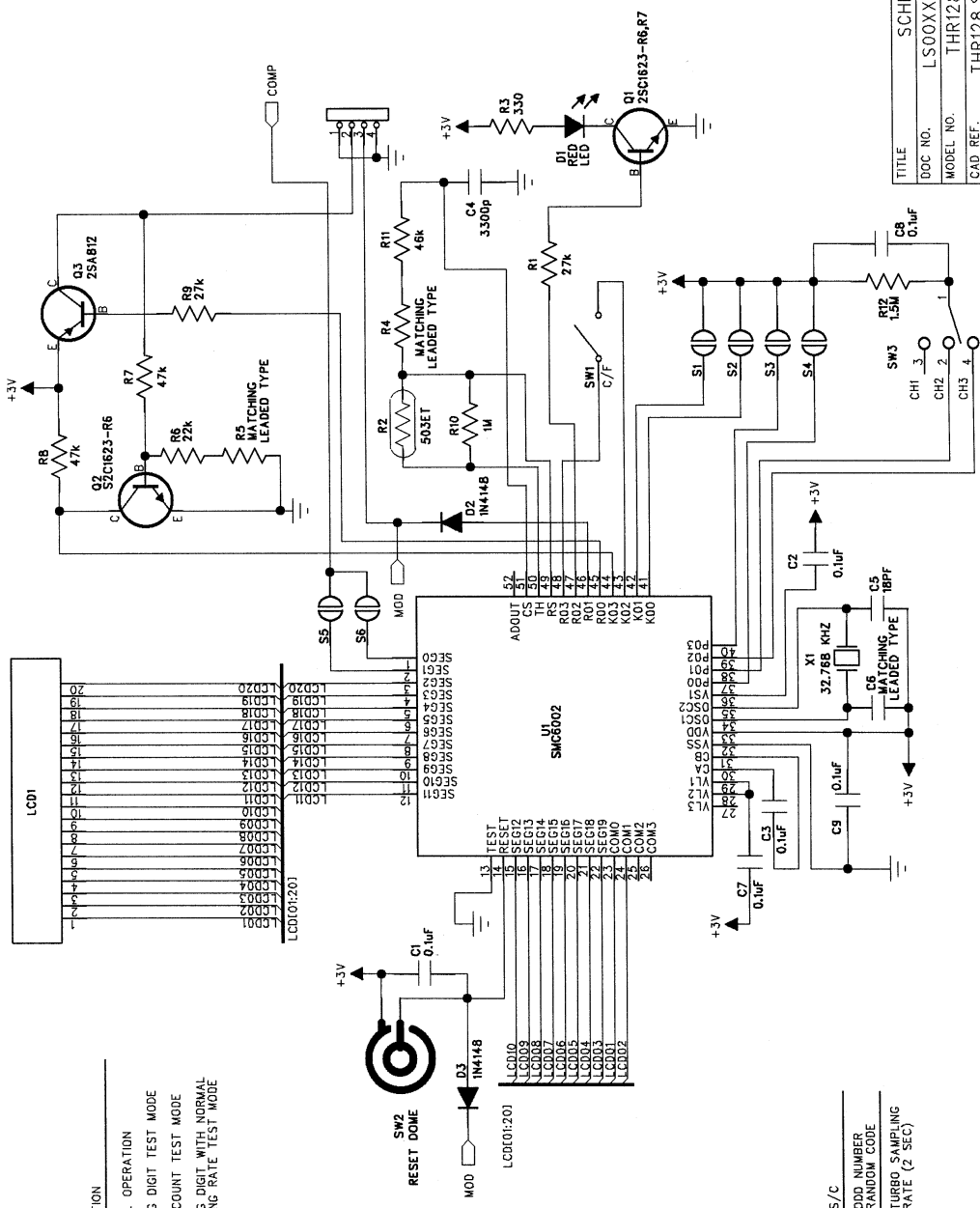


1 2 3 4 5 6

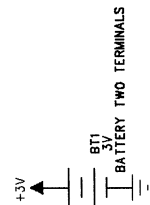
ISSUE	REVISION	DATE:	MADE BY	APPROVED BY
0.0	PRELIMINARY DESIGN	XX/XX/XX	XXXXXX	XXXXXX



S1 (K01)	S2 (K00)	OPERATION
0	0	NORMAL OPERATION
0	1	RUNNING DIGIT TEST MODE
1	0	TEMP. COUNT TEST MODE
1	1	RUNNING DIGIT WITH NORMAL SAMPLING RATE TEST MODE

0 : 0/C
1 : S/C

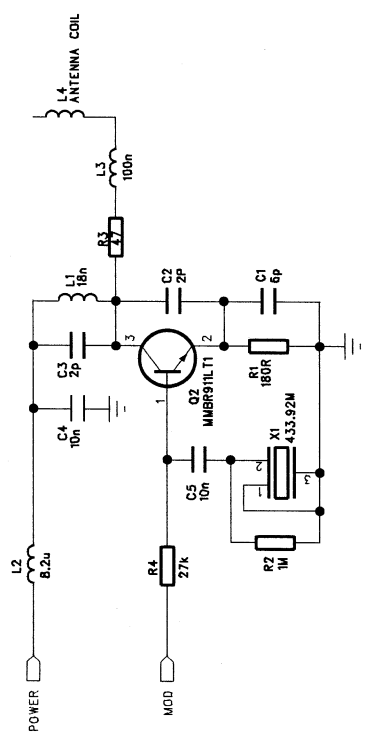
S3 (P03)	S4 (P00)	S/C
NORMAL	NORMAL	DDD NUMBER RANDOM CODE
NORMAL	NORMAL	TURBO SAMPLING RATE (2 SEC)



TITLE	SCHEMATIC DIAGRAM		
DOC NO.	L.S00XXX	DIVISION	PDD/LCD
MODEL NO.	THR128	DRAWN	DENNIS CHENG
CAD REF.	THR128.SCH	CHKD	MIKE SZE
PAGE	1	OF	1
APPD.	BOB CHENG		
IDT TECHNOLOGY LTD.			

D C B A

ISSUE	REVISION	DATE:	MADE BY	APPROVED BY
1.0	FIRST RELEASE FOR PRODUCTION	JUL/31/98	Y SUN	TONY KWOK



UHF TRANSMITTER

TITLE		RF TRANSMITTER SCHEMATIC DIAGRAM	
DOC NO.	LS00XXX	DIVISION	L C D
MODEL NO.	THR128	DRAWN	Y SUN
CAD REF.	UHFTX100.SCH	CHKD	CHEN WU
PAGE	2	OF	2
		APPD.	TONY KWOK
INTEGRATED DISPLAY TECHNOLOGY LTD.			

D C B A