

ISSUE	REVISION	DATE	MADE BY	APPROVED BY
1.0	FIRST RELEASE FOR PRODUCTION	Nov 22,04	WK YAO	WILSON LEUNG

J1	J2
P0.0	P0.3
THR122NX	OPEN
	CLOSE

SW2	EUROPE	USA
	C	F

OUTPUT: P10 - P13 (CMOS)  
INPUT: P30, P00 - P03 (PULL-DOWN)  
P31 - P33 (HI-Z)

TITLE		SCHEMATIC DIAGRAM	
DDC NO.	LSO1083	DIVISION	L C D
MODEL NO.	THR122NX	DRAWN	WK.YAO
CAD REF.	THR122NXLS1.SCH	CHKD	WILSON LEUNG
PAGE	1 OF 2	APPD.	WILSON LEUNG
IDT TECHNOLOGY LTD.			

6

5

4

3

2

1

ISSUE	REVISION	DATE	MADE BY	APPROVED BY
1.0	FIRST RELEASE FOR PRODUCTION	Nov 22,04	WK.YAO	WILSON LEUNG

D

D

C

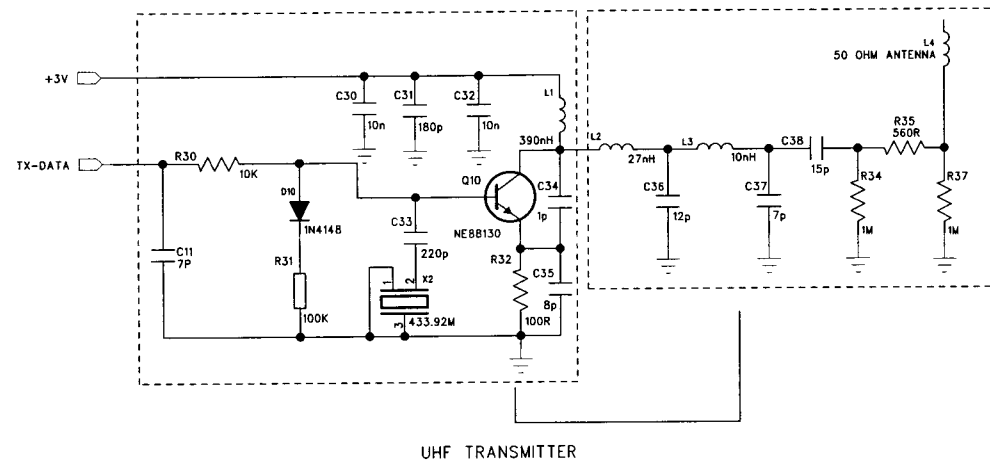
C

B

B

A

A



TITLE		SCHEMATIC DIAGRAM	
DOC NO.	LS01083	DIVISION	L C D
MODEL NO.	THR122NX	DRAWN	WK.YAO
CAD REF.	THR122NXLS1.SCH	CHKD	WILSON LEUNG
PAGE	2 OF 2	APPD.	WILSON LEUNG
IDT TECHNOLOGY LTD.			