

6

5

4

3

2

1

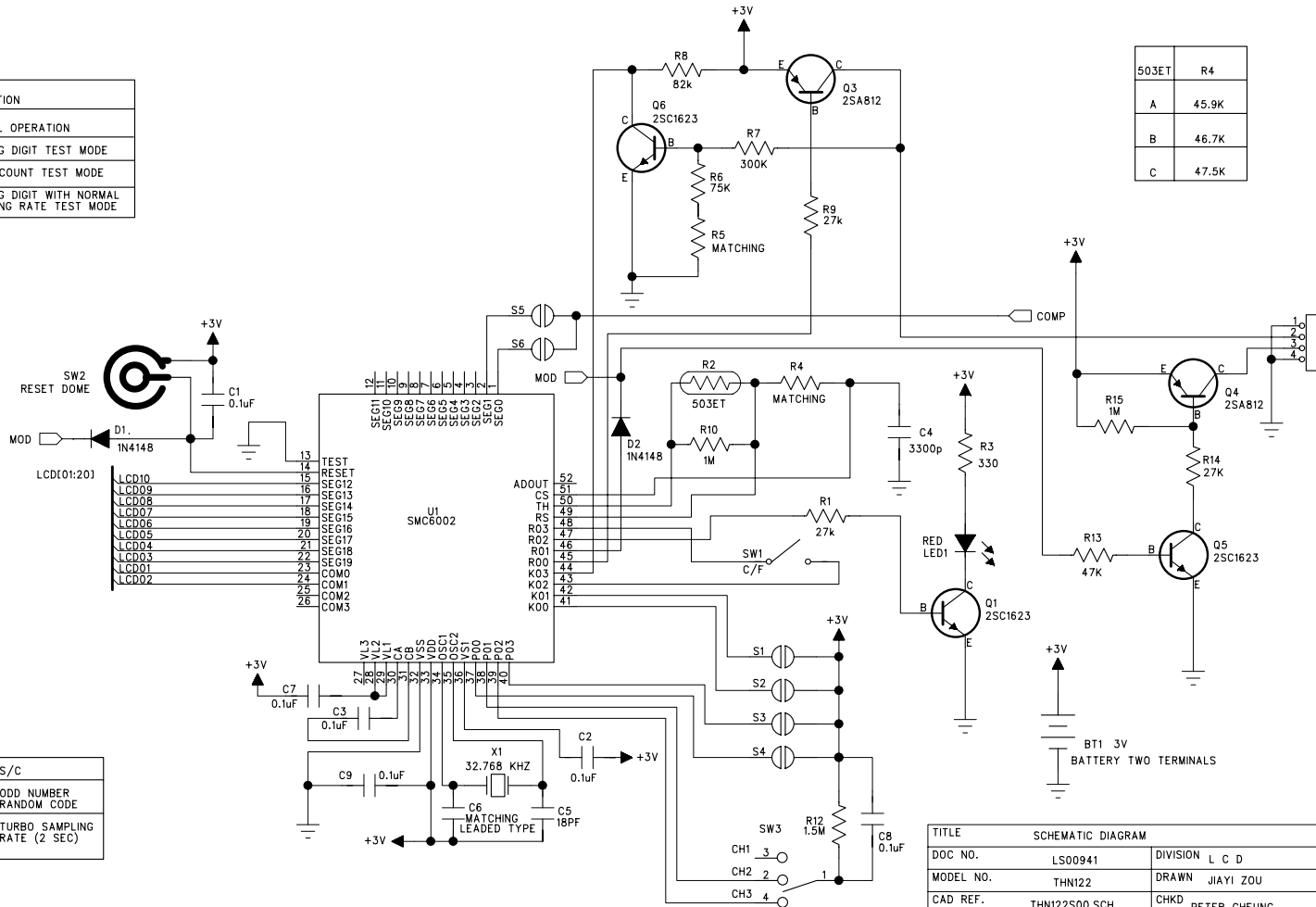
ISSUE	REVISION	DATE:	MADE BY	APPROVED BY
1.0	FIRST RELEASE FOR PRODUCTION	29 DEC 2003	JIA YI ZOU	ALAN TONG

S1 (K01)	S2 (K00)	OPERATION
0	0	NORMAL OPERATION
0	1	RUNNING DIGIT TEST MODE
1	0	TEMP. COUNT TEST MODE
1	1	RUNNING DIGIT WITH NORMAL SAMPLING RATE TEST MODE

0 : O/C
1 : S/C

503ET	R4
A	45.9K
B	46.7K
C	47.5K

S3 (P03)	O/C	S/C
NORMAL		ODD NUMBER RANDOM CODE
S4 (P00)	O/C	S/C
NORMAL		TURBO SAMPLING RATE (2 SEC)



TITLE SCHEMATIC DIAGRAM		
DOC NO.	LS00941	DIVISION L C D
MODEL NO.	THN122	DRAWN JIAYI ZOU
CAD REF.	THN122S00.SCH	CHKD PETER CHEUNG
PAGE	1 OF 2	APPD. ALAN TONG
IDT TECHNOLOGY LTD.		

6

5

4

3

2

1

ISSUE	REVISION	DATE:	MADE BY	APPROVED BY
1.0	FIRST RELEASE FOR PRODUCTION	29 DEC 2003	JIAYI ZOU	ALAN TONG

D

D

C

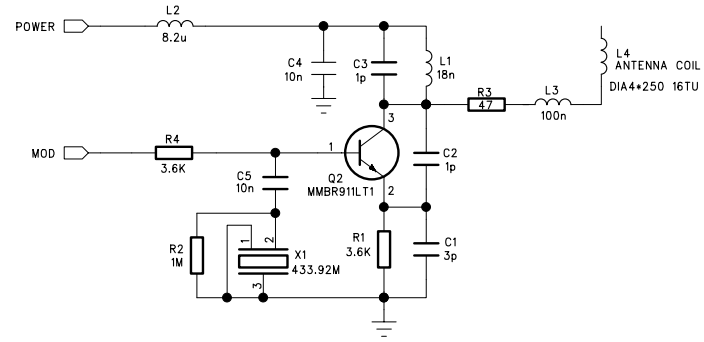
C

B

B

A

A



UHF TRANSMITTER

TITLE		SCHEMATIC DIAGRAM	
DOC NO.	LS00941	DIVISION	L C D
MODEL NO.	THN122	DRAWN	JIAYI ZOU
CAD REF.	THN122S00.SCH	CHKD	PETER CHEUNG
PAGE	2 OF 2	APPD.	ALAN TONG
IDT TECHNOLOGY LTD.			