

6

5

4

3

2

1

ISSUE	REVISION	DATE:	MADE BY	APPROVED BY
1.0	FIRST RELEASE FOR PRODUCTION	JUL/3/06	LI JING	WILSON CHAN

D

D

C

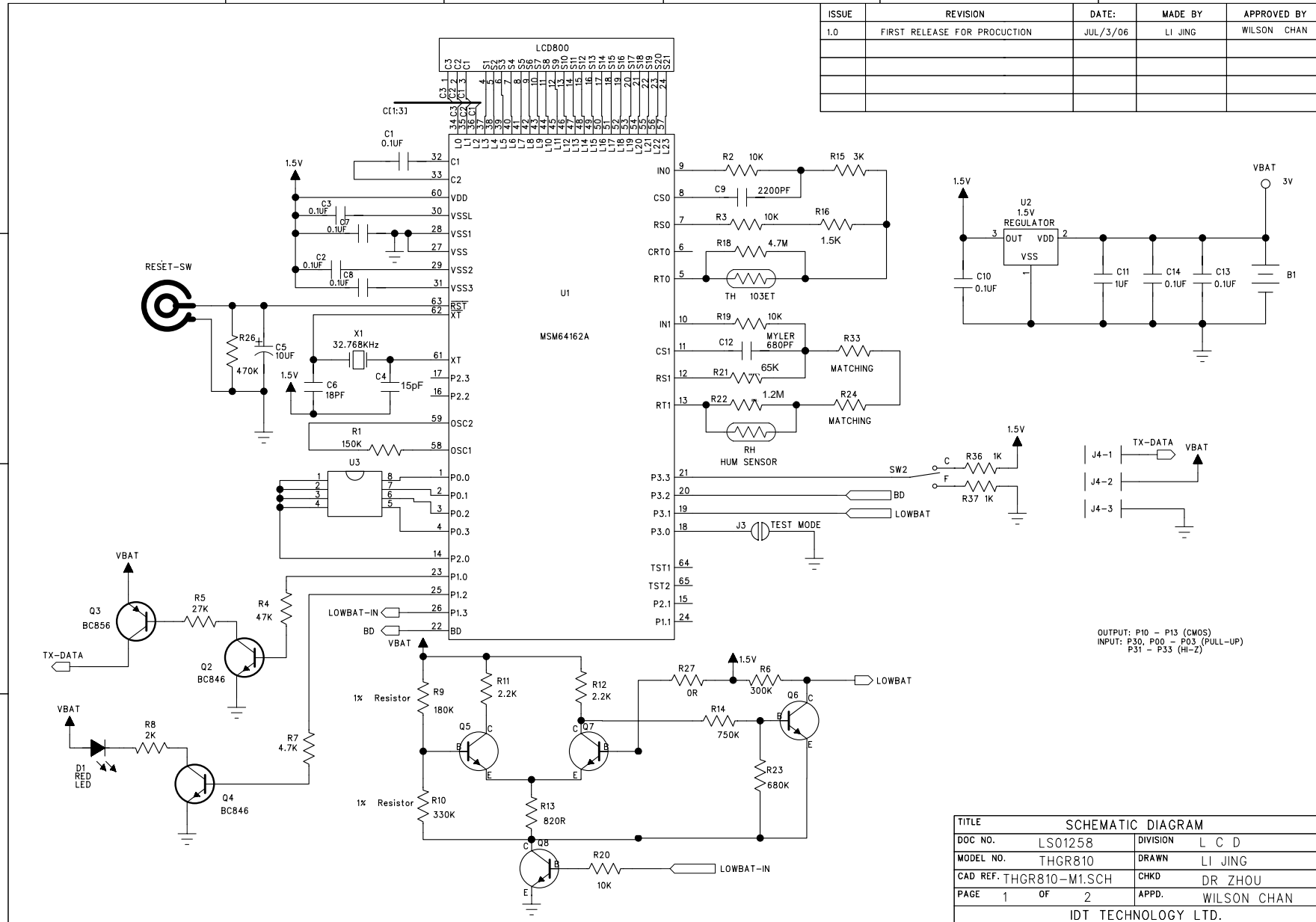
C

B

B

A

A



OUTPUT: P10 - P13 (CMOS)  
INPUT: P30, P00 - P03 (PULL-UP)  
P31 - P33 (HI-Z)

TITLE			
SCHEMATIC DIAGRAM			
DOC NO.	LS01258	DIVISION	L C D
MODEL NO.	THGR810	DRAWN	LI JING
CAD REF.	THGR810-M1.SCH	CHKD	DR ZHOU
PAGE	1	OF	2
		APPD.	WILSON CHAN
IDT TECHNOLOGY LTD.			

6

5

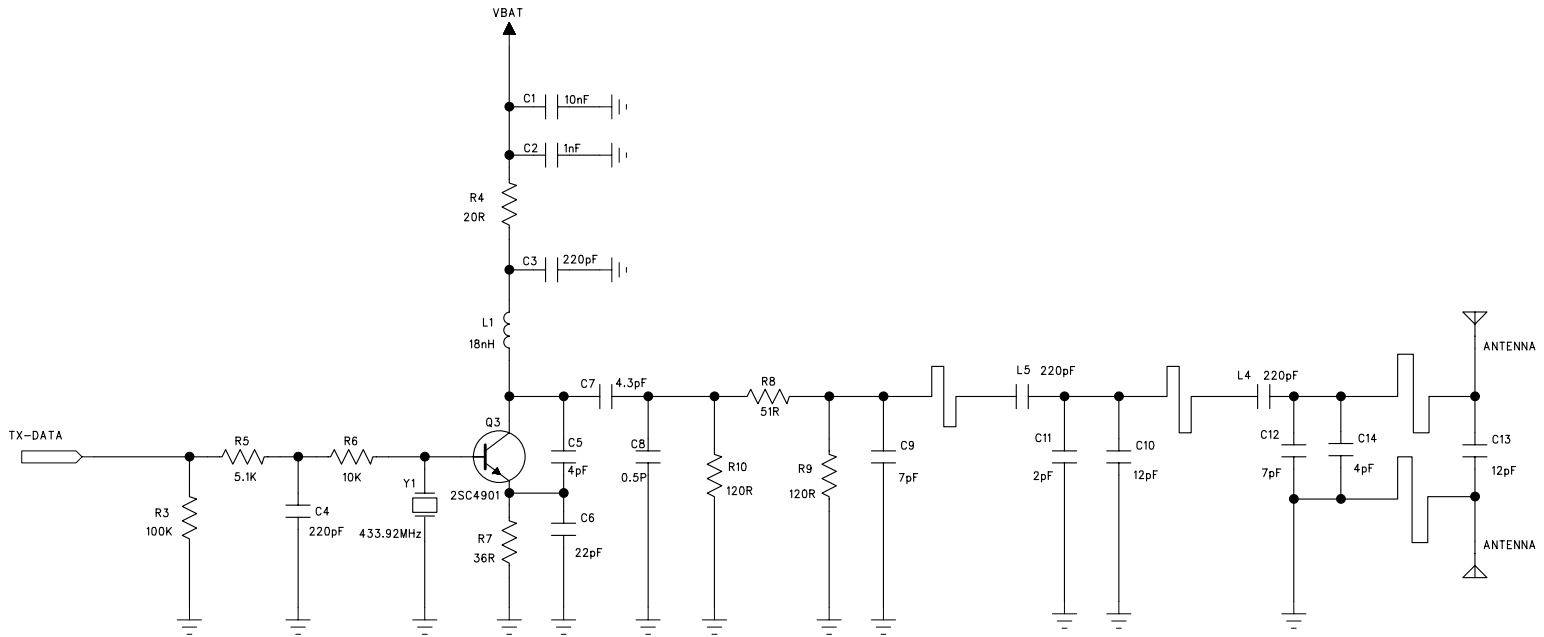
4

3

2

1

ISSUE	REVISION	DATE:	MADE BY	APPROVED BY
1.0	FIRST RELEASE FOR PRODUCTION	JUL/3/06	LI JING	WILSON CHAN



TITLE		SCHEMATIC DIAGRAM	
DOC NO.	LS01258	DIVISION	L C D
MODEL NO.	THGR810	DRAWN	LI JING
CAD REF.	THGR810-TX3.SCH	CHKD	DRZHOU
PAGE	2	OF	2
		APPD.	WILSON CHAN
IDT TECHNOLOGY LTD.			