

6

5

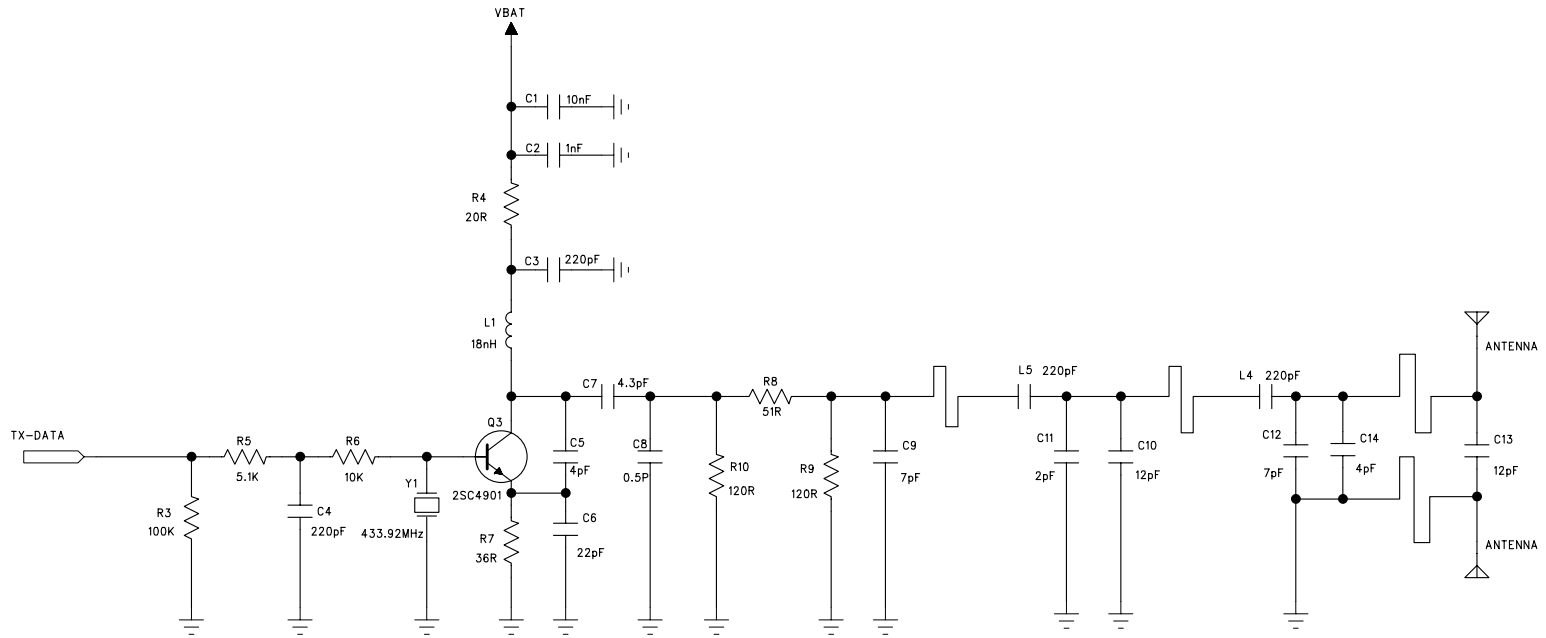
4

3

2

1

ISSUE	REVISION	DATE:	MADE BY	APPROVED BY
1.0	FIRST RELEASE FOR PRODUCTION	JUN/30/06	LI JING	WILSON CHAN



3V

TITLE		SCHEMATIC DIAGRAM	
DOC NO.	LS01257	DIVISION	L C D
MODEL NO.	THGR800	DRAWN	LI JING
CAD REF.	THGR800-TX3.SCH	CHKD	DRZHOU
PAGE	2 OF 2	APPD.	WILSON CHAN
IDT TECHNOLOGY LTD.			

6

5

4

3

2

1

ISSUE	REVISION	DATE:	MADE BY	APPROVED BY
1.0	FIRST RELEASE FOR PRODUCTION	SEP/8/06	LI JING	WILSON CHAN

D

D

C

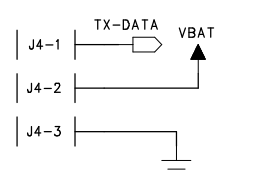
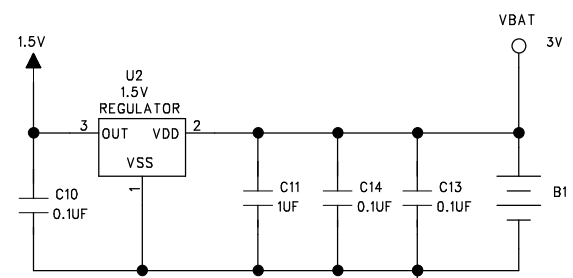
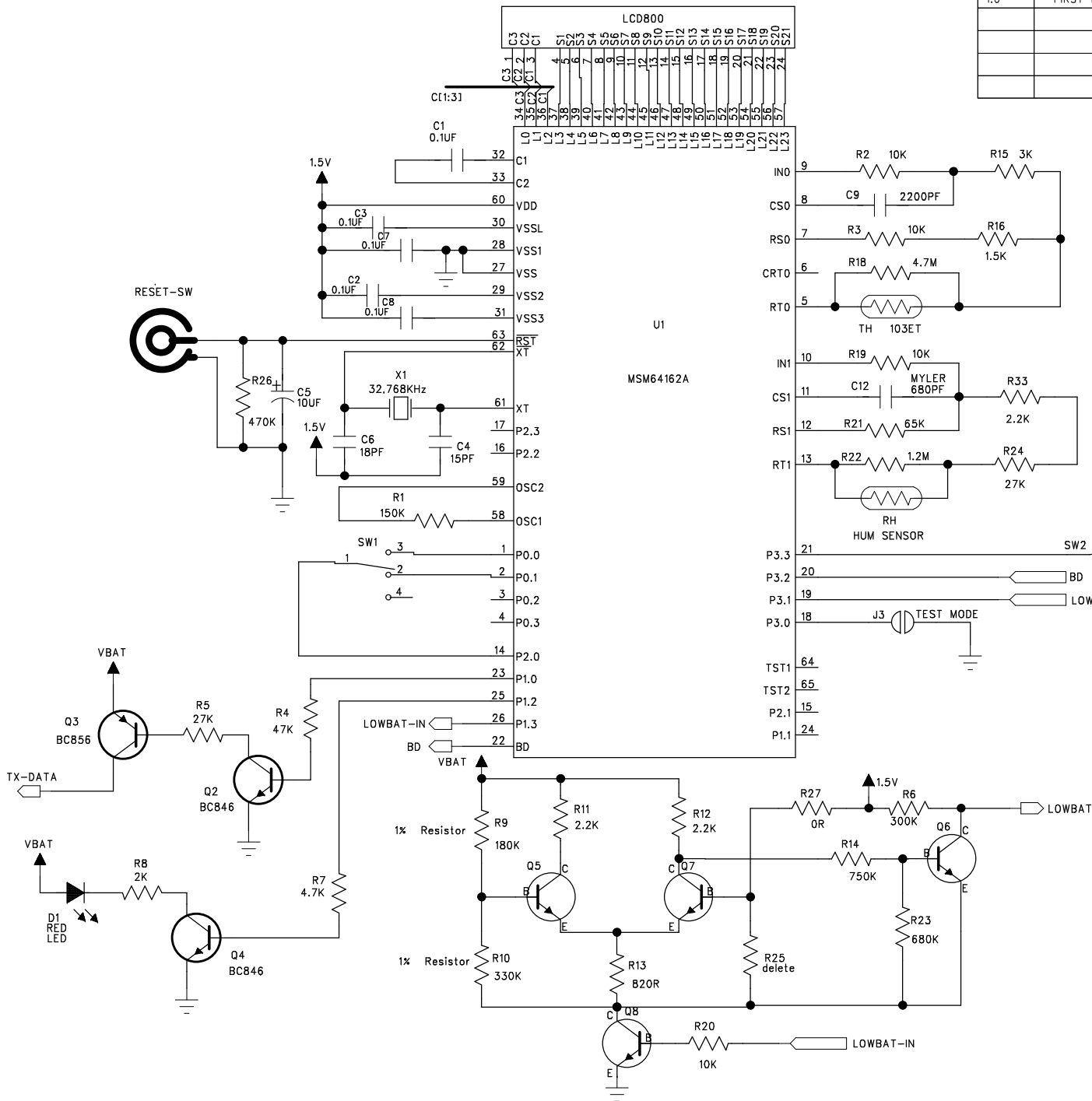
C

B

B

A

A



OUTPUT: P10 - P13 (CMOS)
 INPUT: P30, P00 - P03 (PULL-UP)
 P31 - P33 (HI-Z)

TITLE			
SCHEMATIC DIAGRAM			
DOC NO.	LS01257	DIVISION	L C D
MODEL NO.	THGR800	DRAWN	LI JING
CAD REF.	THGR800-M1.SCH	CHKD	DRZHOU
PAGE	1 OF 2	APPD.	WILSON CHAN
IDT TECHNOLOGY LTD.			