

6

5

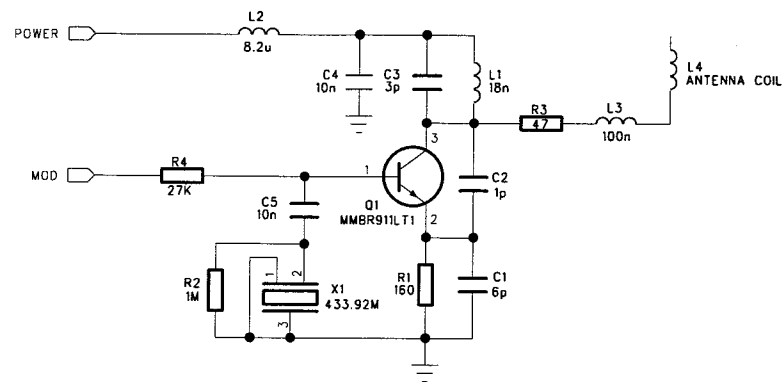
4

3

2

1

ISSUE	REVISION	DATE:	MADE BY	APPROVED BY
1.0	RELEASE FOR MP	MAY 25,98	K.F.CHAN	BOB CHENG



UHF TRANSMITTER

TITLE			
TRANSITTER MODULE			
DOC NO.	LS00414	DIVISION	L C D
MODEL NO.	THR168	DRAWN	K.F.CHAN
CAD REF.	UHFTX.SCH	CHKD	MIKE SZE
PAGE	2	OF	2
		APPD.	BOB CHENG
IDT TECHNOLOGY LTD.			

6

5

4

3

2

1

ISSUE	REVISION	DATE:	MADE BY	APPROVED BY
1.0	FIRST RELEASE FOR PRODUCTION	JUL/13/00	Y.SUN	K.S.WONG

D

D

C

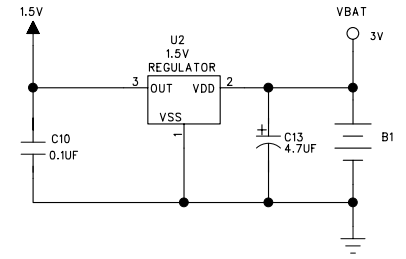
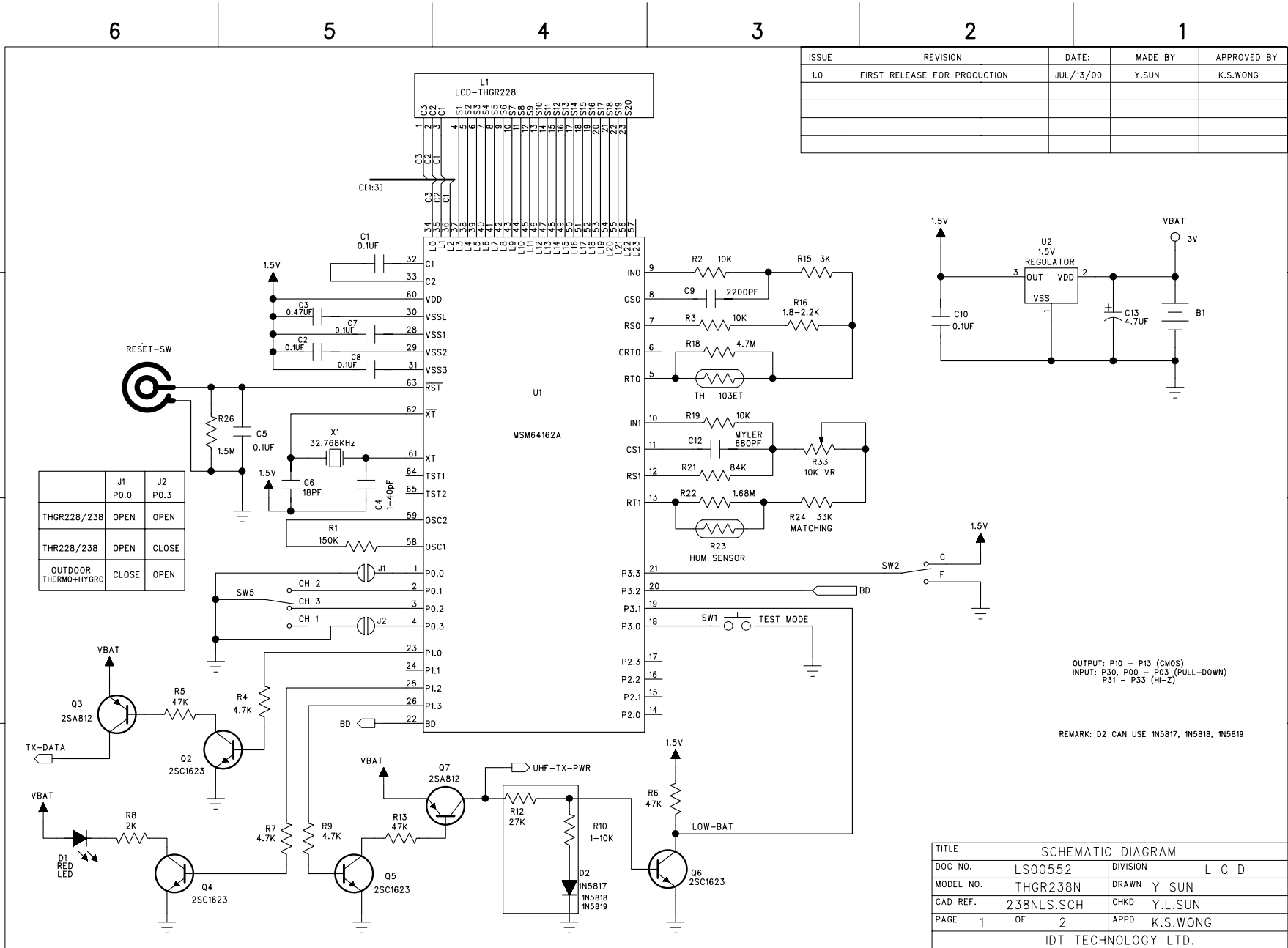
C

B

B

A

A



OUTPUT: P10 - P13 (CMOS)
 INPUT: P30, P00 - P03 (PULL-DOWN)
 P31 - P33 (Hi-Z)

REMARK: D2 CAN USE 1N5817, 1N5818, 1N5819

TITLE		SCHEMATIC DIAGRAM	
DOC NO.	LS00552	DIVISION	L C D
MODEL NO.	THGR238N	DRAWN	Y SUN
CAD REF.	238NLS.SCH	CHKD	Y.L.SUN
PAGE	1 OF 2	APPD.	K.S.WONG
IDT TECHNOLOGY LTD.			