

6

5

4

3

2

1

ISSUE	REVISION	DATE:	MADE BY	APPROVED BY
1.0	FIRST RELEASE	DEC/15/03	D.R.ZHOU	RAYMOND WONG

D

D

C

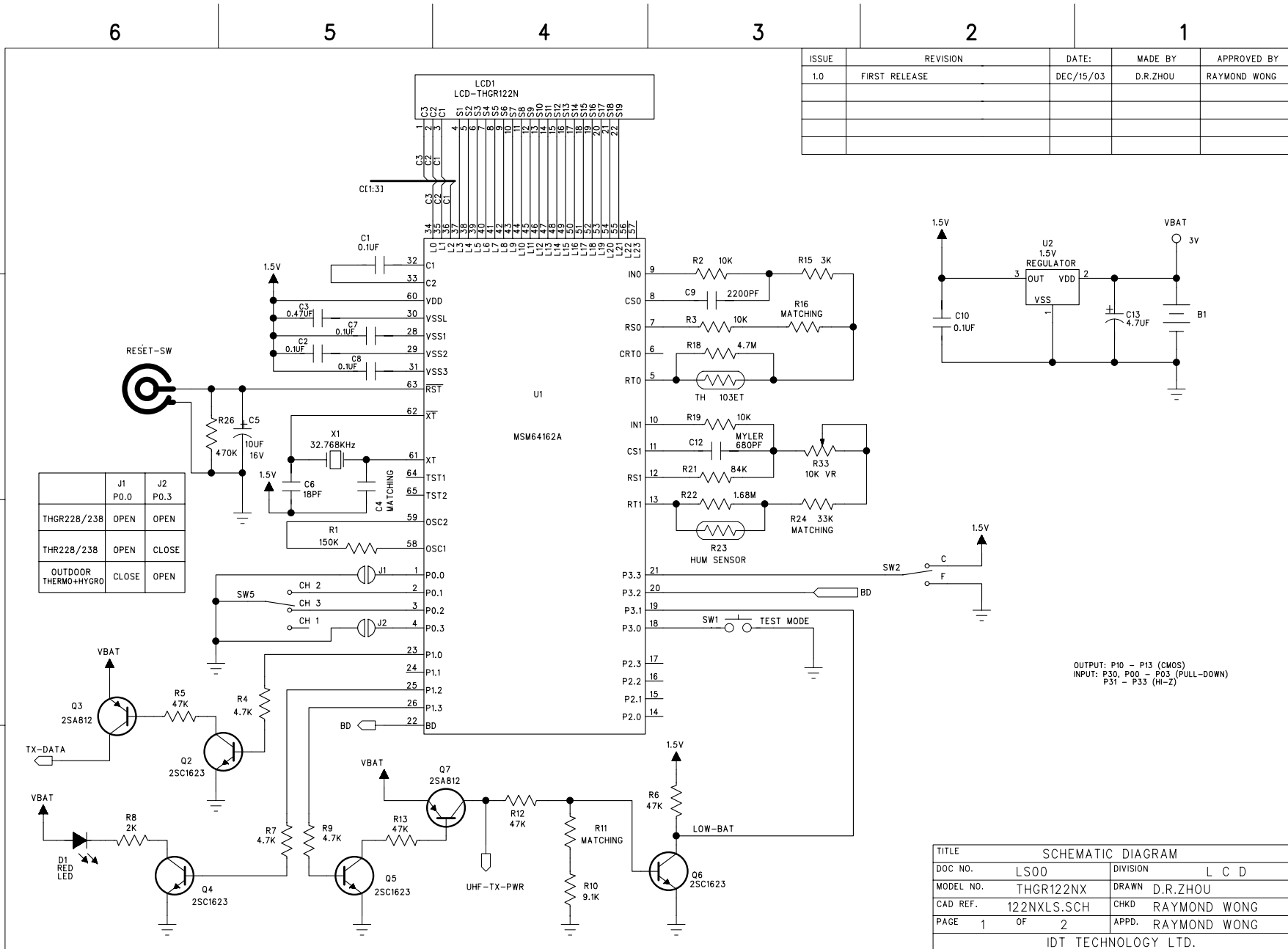
C

B

B

A

A



TITLE			
SCHEMATIC DIAGRAM			
DOC NO.	LS00	DIVISION	L C D
MODEL NO.	THGR122NX	DRAWN	D.R.ZHOU
CAD REF.	122NXLS.SCH	CHKD	RAYMOND WONG
PAGE	1	OF	2
		APPD.	RAYMOND WONG
IDT TECHNOLOGY LTD.			

6

5

4

3

2

1

ISSUE	REVISION	DATE:	MADE BY	APPROVED BY
1.0	FIRST RELEASE	DEC/15/03	D.R.ZHOU	RAYMOND WONG

D

D

C

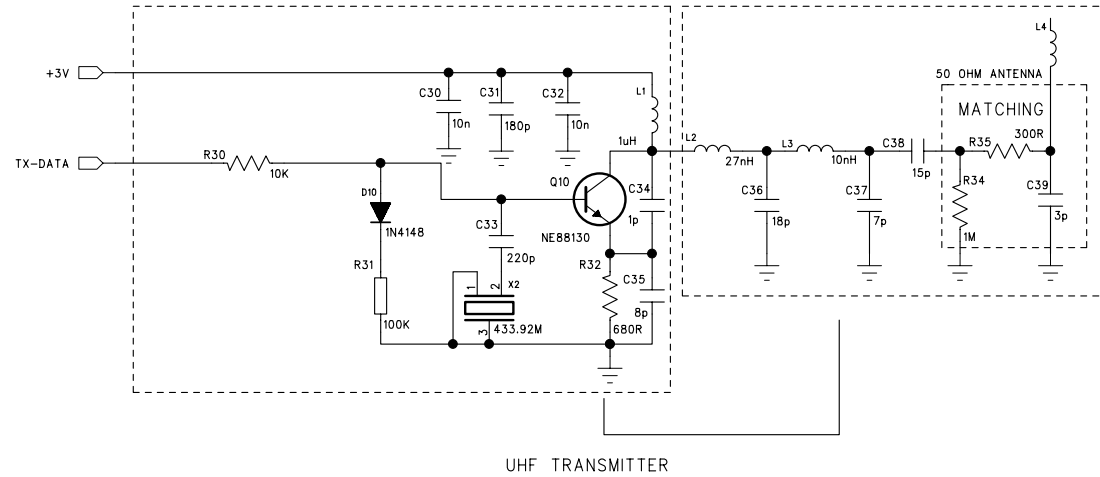
C

B

B

A

A



TITLE		SCHEMATIC DIAGRAM	
DOC NO.	LS00	DIVISION	L C D
MODEL NO.	THGR122NX	DRAWN	D.R.ZHOU
CAD REF.	122NXLS.SCH	CHKD	RAYMOND WONG
PAGE	2 OF 2	APPD.	RAYMOND WONG
IDT TECHNOLOGY LTD.			