

6

5

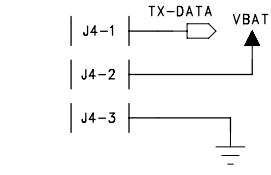
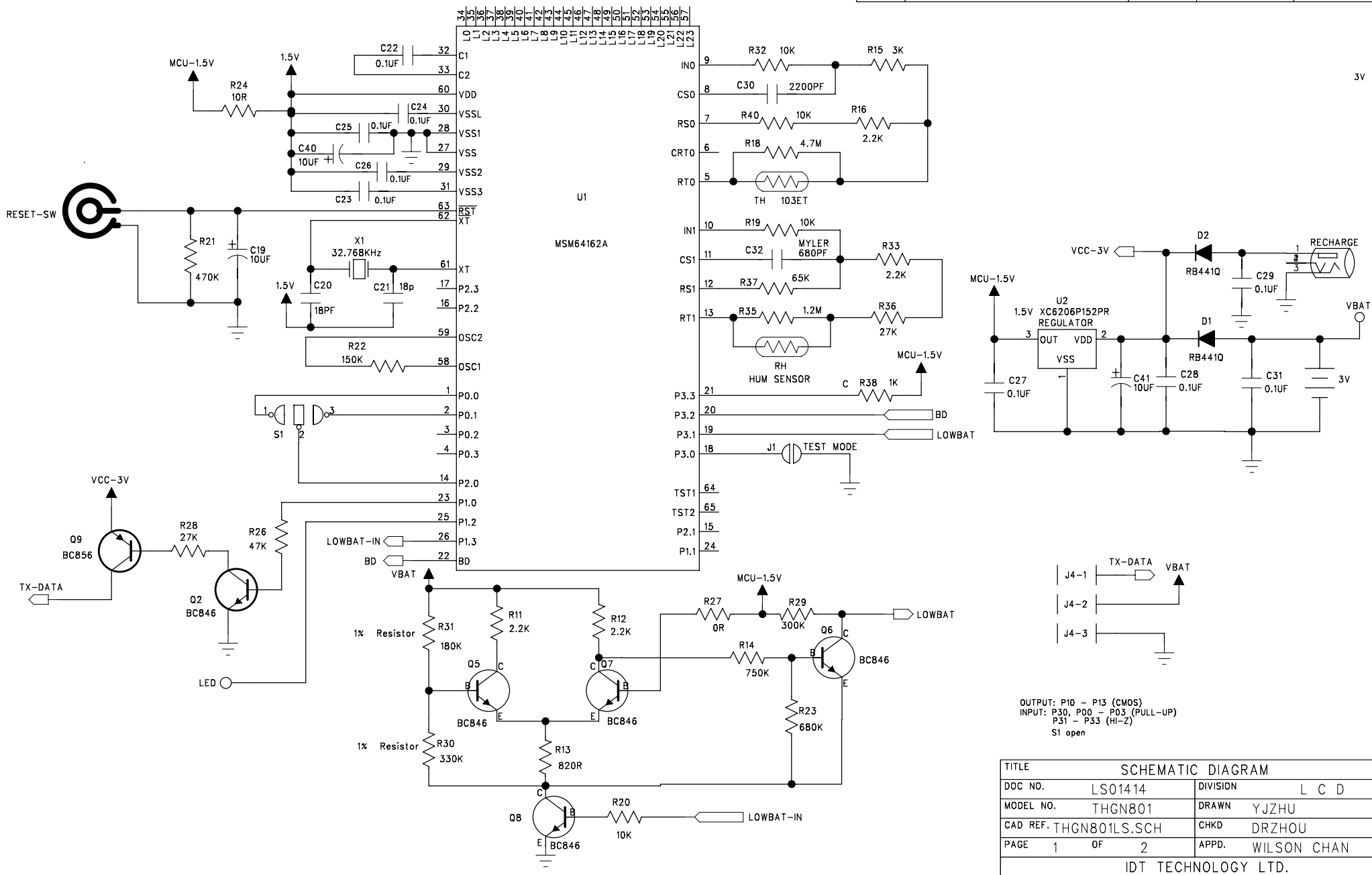
4

3

2

1

ISSUE	REVISION	DATE:	MADE BY	APPROVED BY
1.0	FIRST RELEASE FOR PRODUCTION	AUG/27/07	YJZHU	WILSON CHAN



OUTPUT: P10 - P13 (CMOS)  
 INPUT: P30, P00 - P03 (PULL-UP)  
 P31 - P33 (Hi-Z)  
 S1 open

TITLE			
SCHEMATIC DIAGRAM			
DOC NO.	LS01414	DIVISION	L C D
MODEL NO.	THGN801	DRAWN	YJZHU
CAD REF.	THGN801LS.SCH	CHKD	DRZHOU
PAGE	1	OF	2
		APPD.	WILSON CHAN
IDT TECHNOLOGY LTD.			

6

5

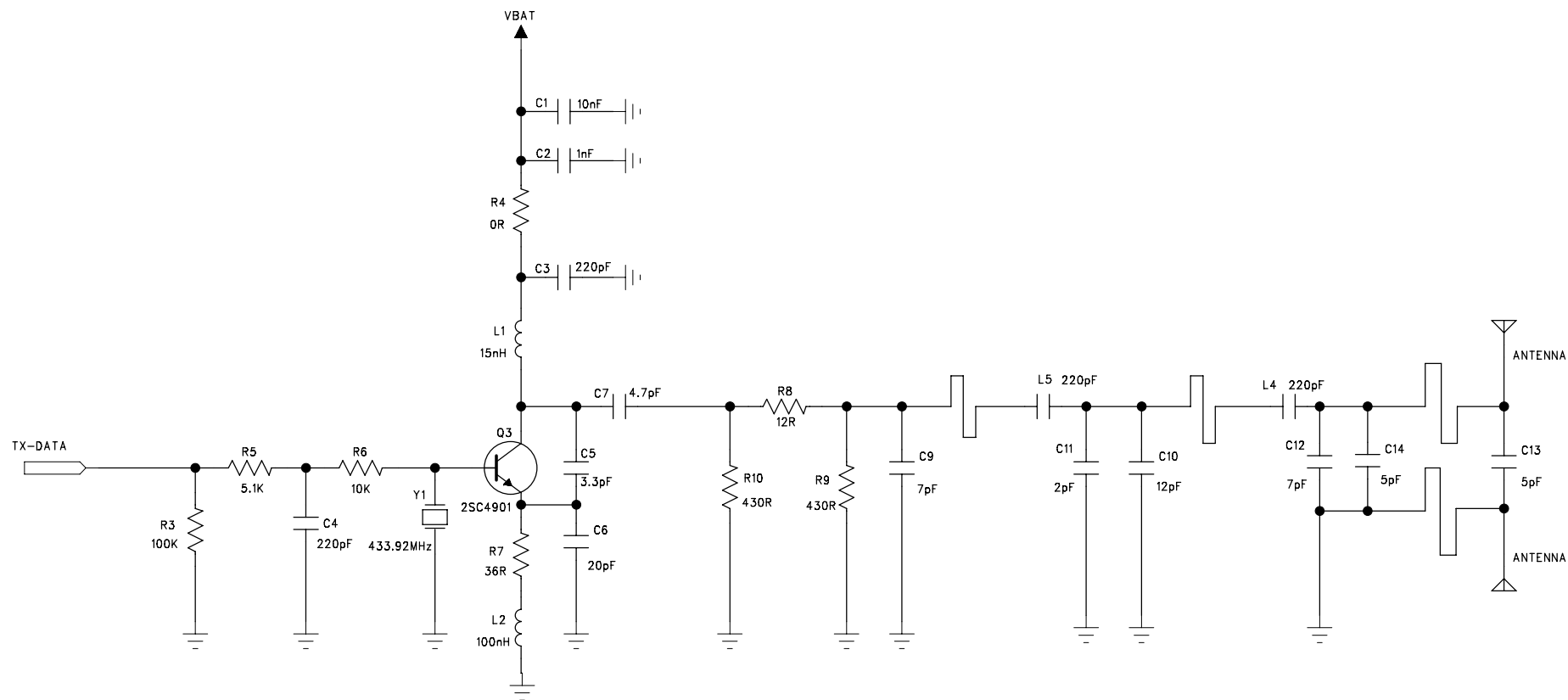
4

3

2

1

ISSUE	REVISION	DATE:	MADE BY	APPROVED BY
1.0	FIRST RELEASE FOR PRODUCTION	AUG/27/07	YJZHU	WILSON CHAN



TITLE		SCHEMATIC DIAGRAM	
DOC NO.	LS01414	DIVISION	L C D
MODEL NO.	THGN801	DRAWN	YJZHU
CAD REF.	THGN801-TX.SCH	CHKD	DRZHOU
PAGE	2 OF 2	APPD.	WILSON CHAN
IDT TECHNOLOGY LTD.			