

6

5

4

3

2

1

ISSUE	REVISION	DATE:	MADE BY	APPROVED BY
1.0	release for production	May 20 10	YJinag	ZQWU

D

D

C

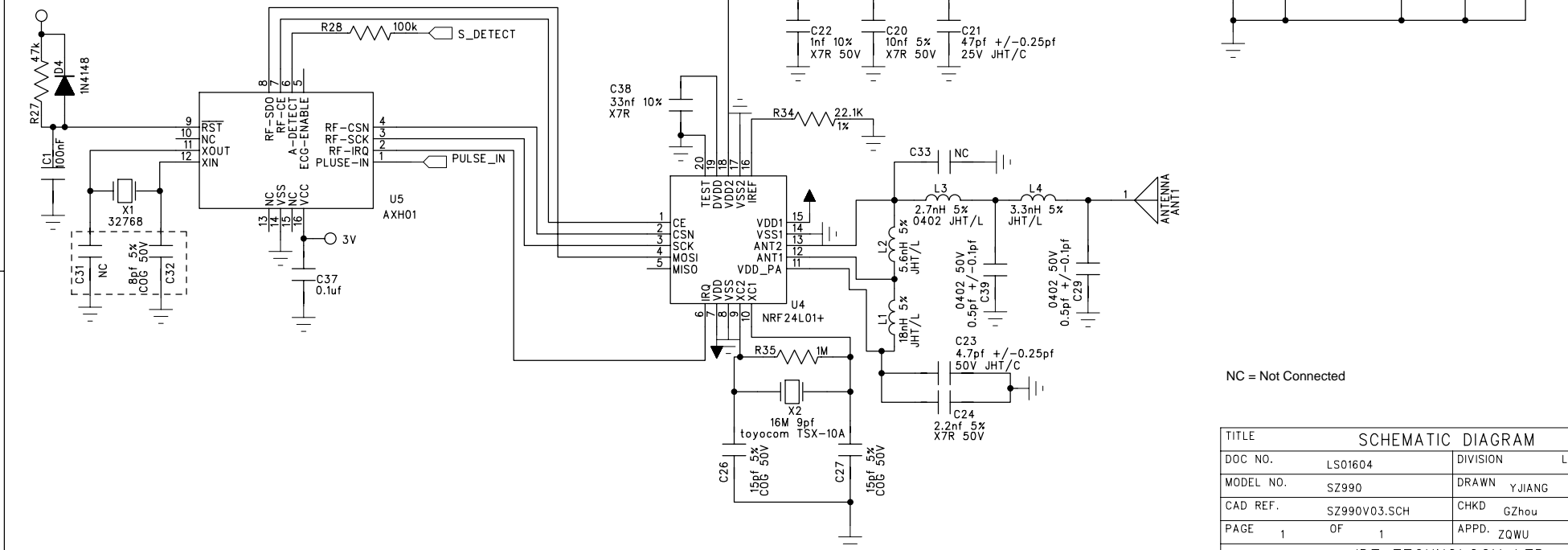
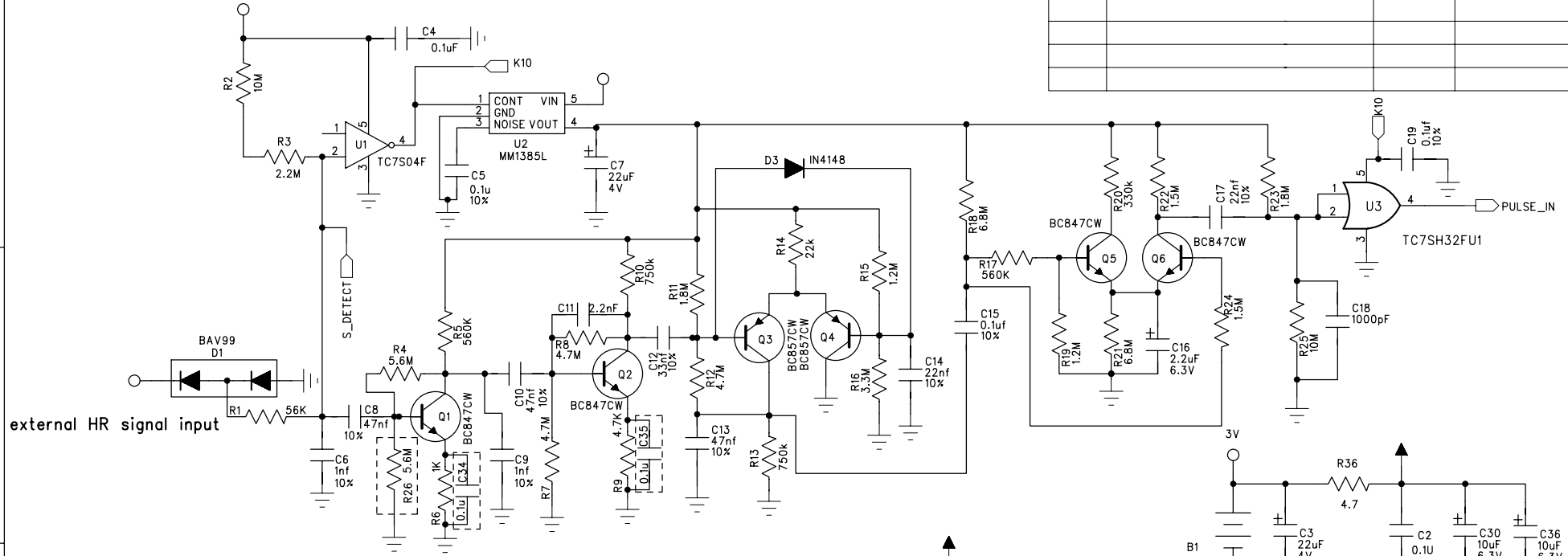
C

B

B

A

A



NC = Not Connected

TITLE		SCHEMATIC DIAGRAM	
DOC NO.	LS01604	DIVISION	L C D
MODEL NO.	SZ990	DRAWN	YJIANG DATE: May 20 10
CAD REF.	SZ990V03.SCH	CHKD	GZhou DATE: May 20 10
PAGE	1 OF 1	APPD.	ZQWU DATE: May 20 10

IDT TECHNOLOGY LTD.