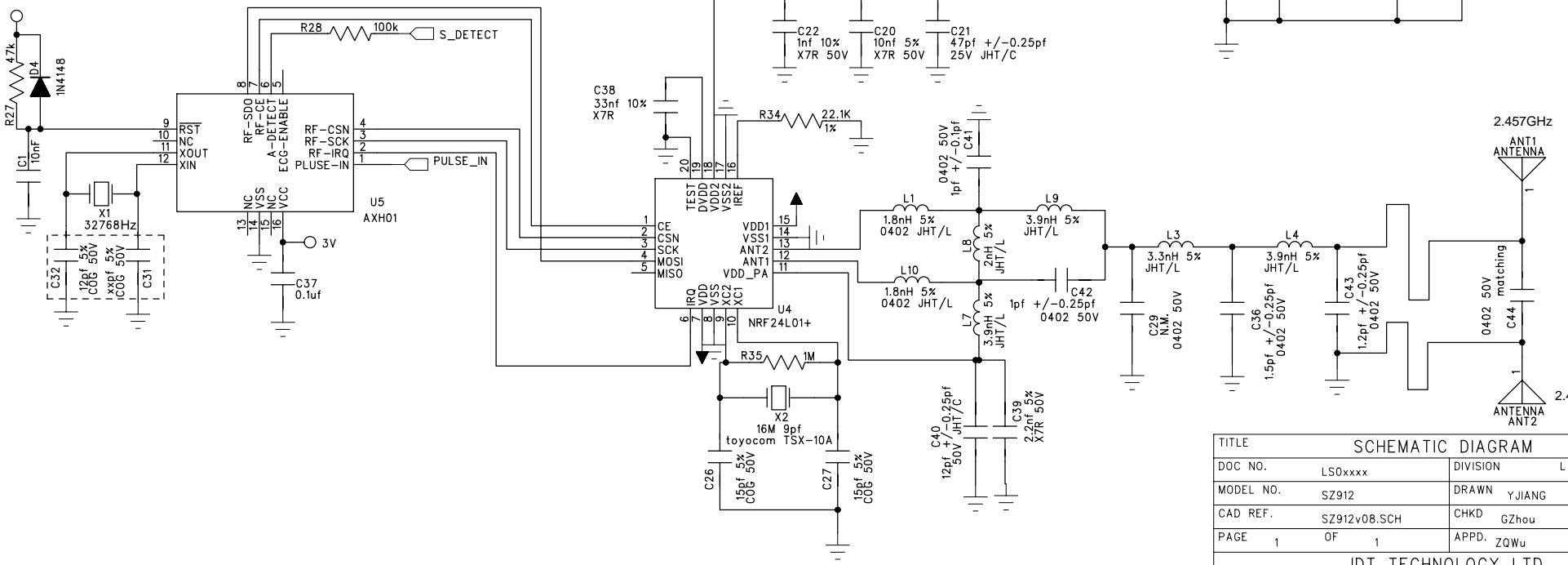
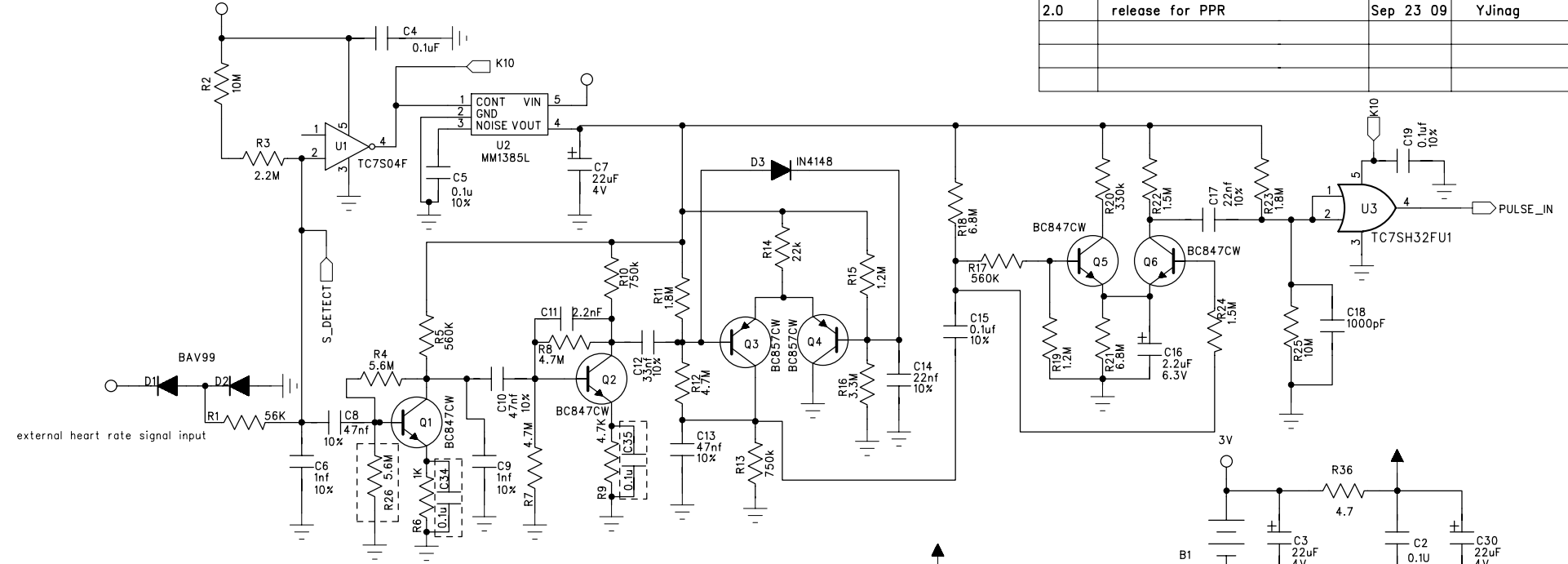


ISSUE	REVISION	DATE:	MADE BY	APPROVED BY
1.0	release for function sample	Apr 02 08	YJinag	Thomas
2.0	release for PPR	Sep 23 09	YJinag	ZQWu



TITLE			
SCHEMATIC DIAGRAM			
DOC NO.	LS0xxxx	DIVISION	L C D
MODEL NO.	SZ912	DRAWN	YJIANG DATE:
CAD REF.	SZ912v08.SCH	CHKD	GZhou DATE:
PAGE	1 OF 1	APPD.	ZQWu DATE:

IDT TECHNOLOGY LTD.