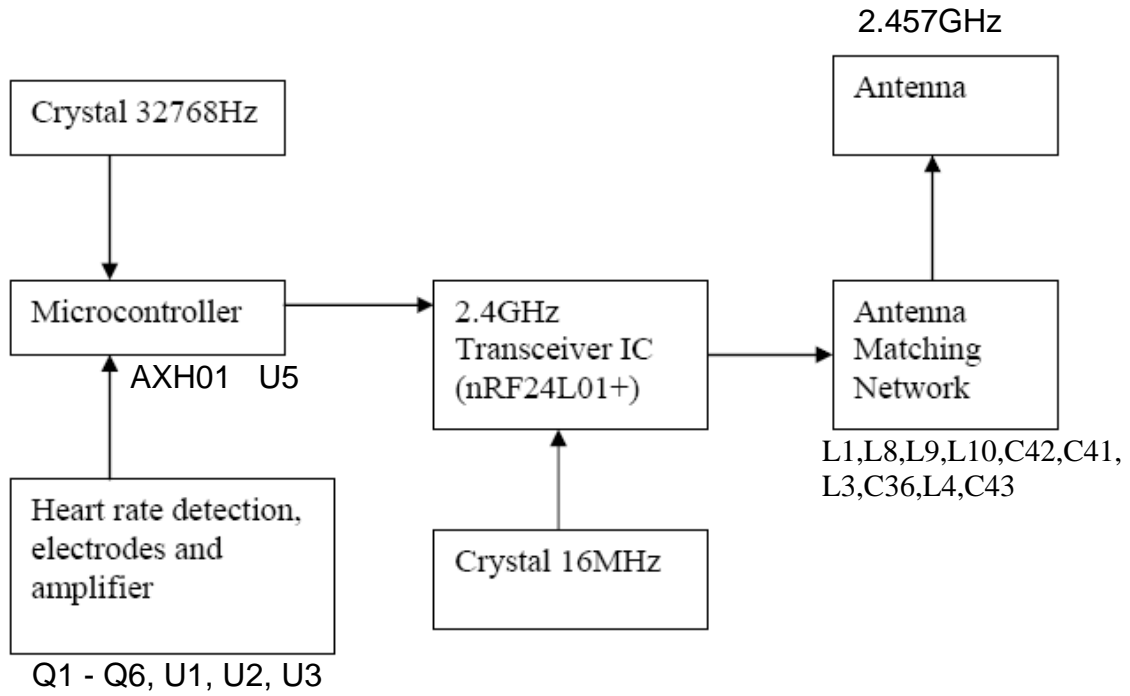


# Block Diagram

Model: SZ912



1.2 Block diagram

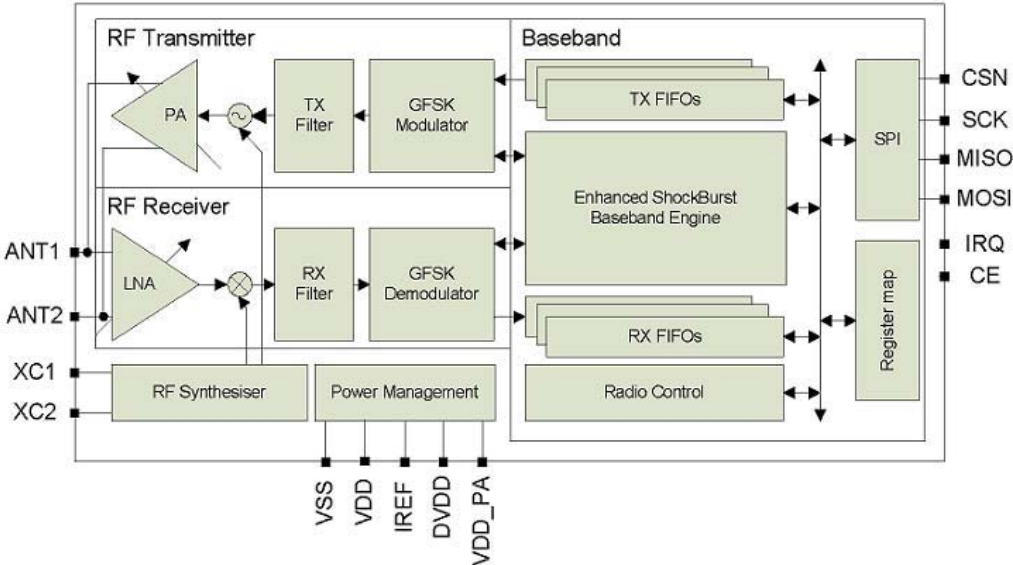


Figure 1. nRF24L01 block diagram