

D

C

B

A

A

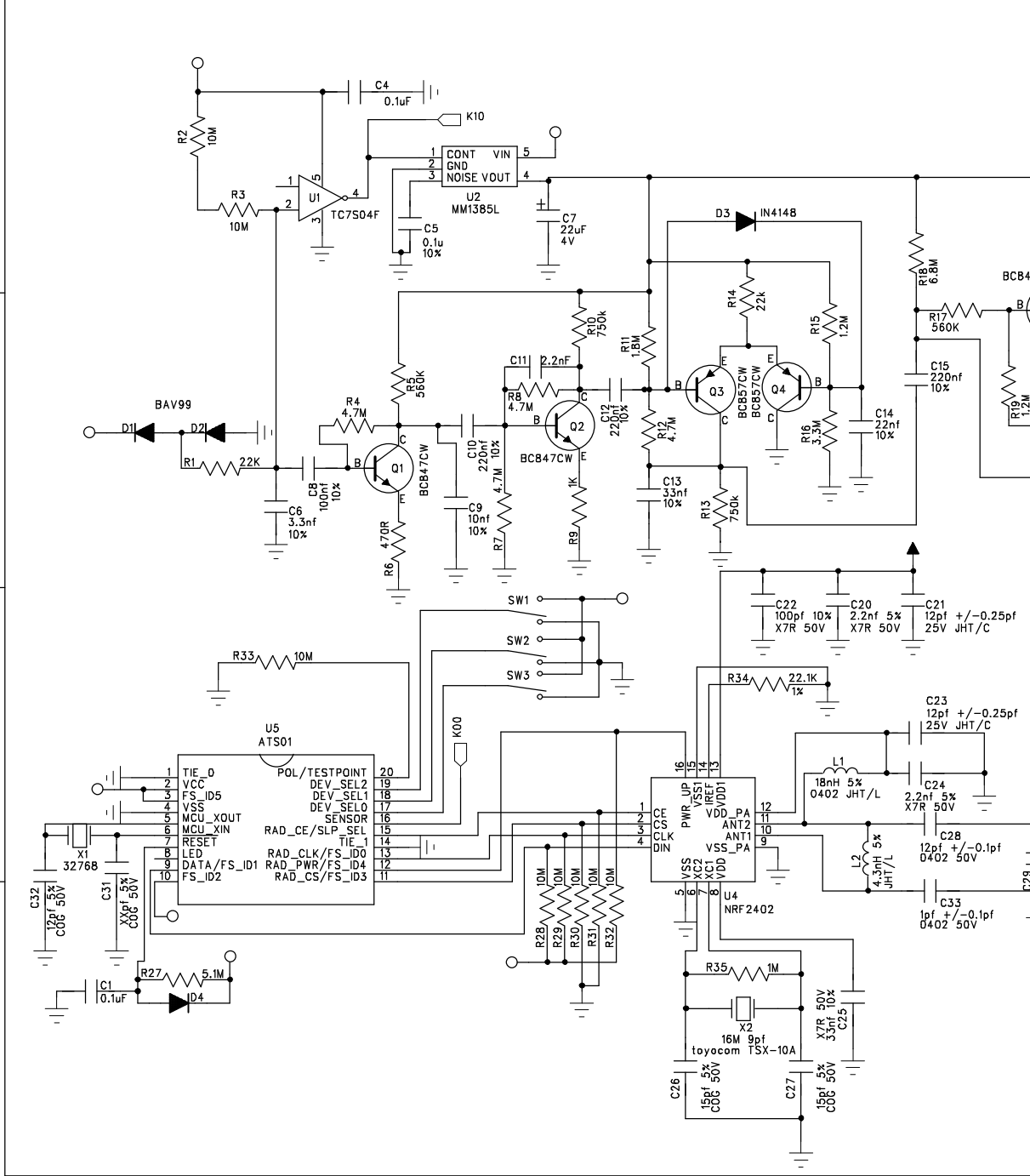
2

FO

2

PAGE

ISSUE	REVISION	DATE:	MADE BY	APPROVED BY
1.0	Release for epr	Mar 27 08	YJinag	Thomas



TITLE			
SCHEMATIC DIAGRAM			
DOC NO.	LS01495	DIVISION	L C D
MODEL NO.	SZ912	DRAWN	YJIANG DATE:
CAD REF.	SZ912V06.SCH	CHKD	GZhou DATE:
PAGE	1 OF 1	APPD.	Thomas DATE:

IDT TECHNOLOGY LTD.