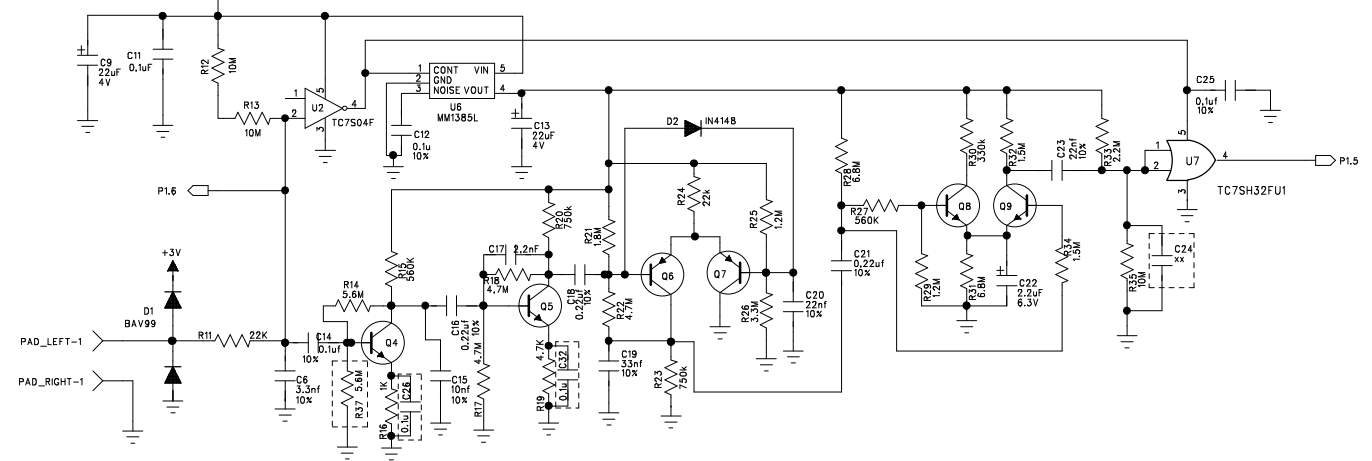
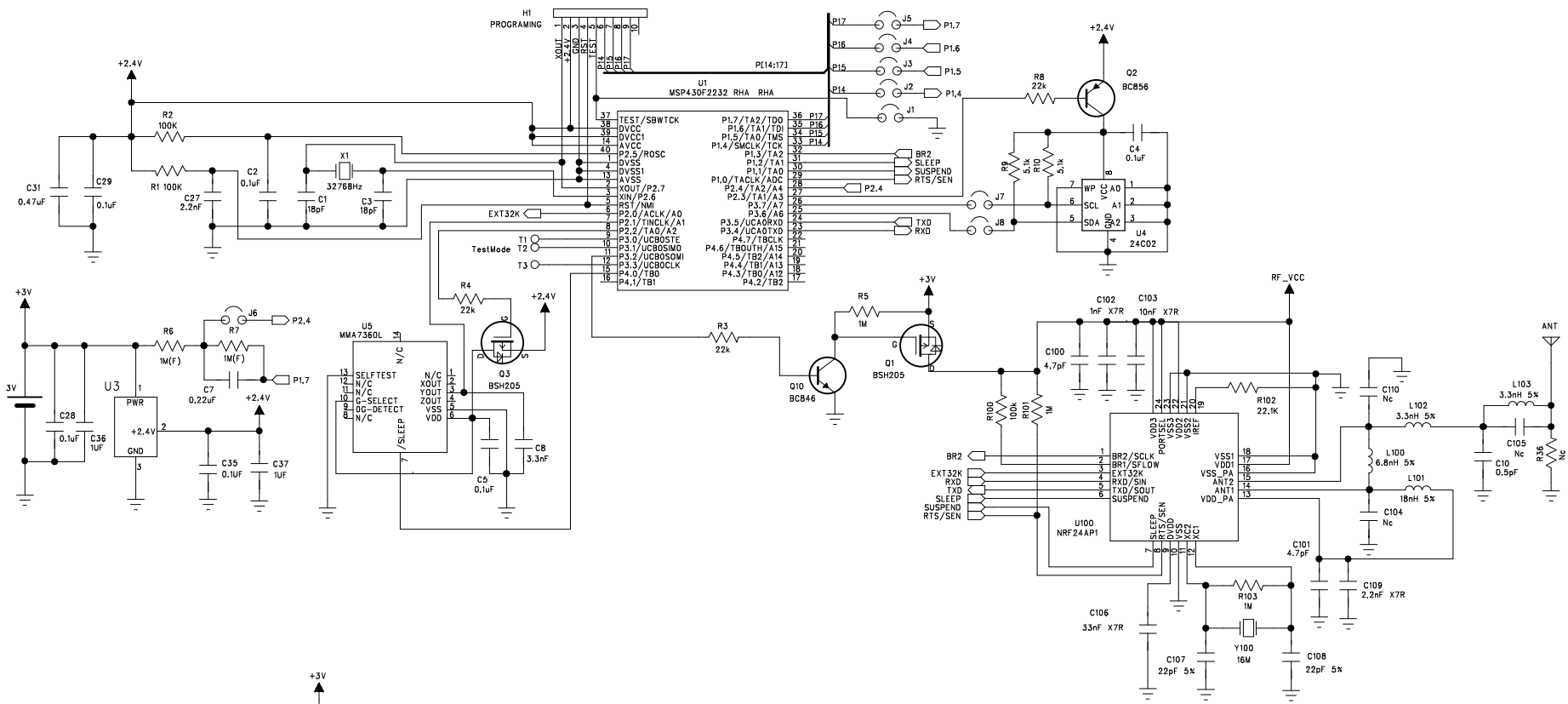


ISSUE	REVISION	DATE	MADE BY	APPROVED BY
1.0	FIRST RELEASE FOR PRODUCTION	Mar 9 09	GZhou	THOMAS



TITLE			
SCHEMATIC DIAGRAM			
DOC NO.	LS01828	DIVISION	L C D
MODEL NO.	SZ909	DRAWN	GZhou
CAD REF.	SZ909.SCH	CHKD	THOMAS
PAGE	1 OF 1	APPD.	THOMAS
IDT TECHNOLOGY LTD.			