

6

5

4

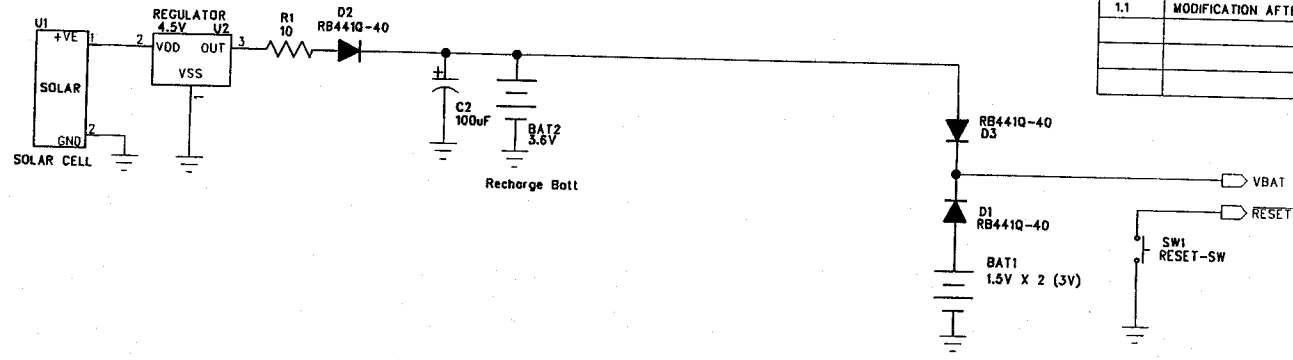
3

2

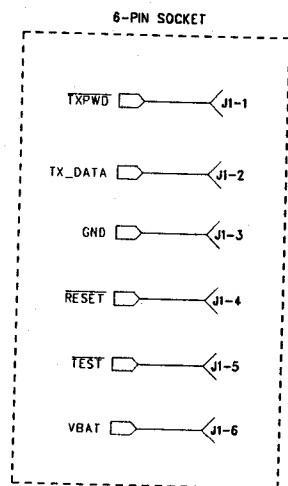
1

ISSUE	REVISION	DATE:	CREATED BY	APPROVED BY
1.0	FIRST RELEASE	17/5/99	K.F.CHAN	MIKE SZE
1.1	MODIFICATION AFTER SAMPLE EVALUATION	18/5/99	DENNIS CHENG	MIKE SZE

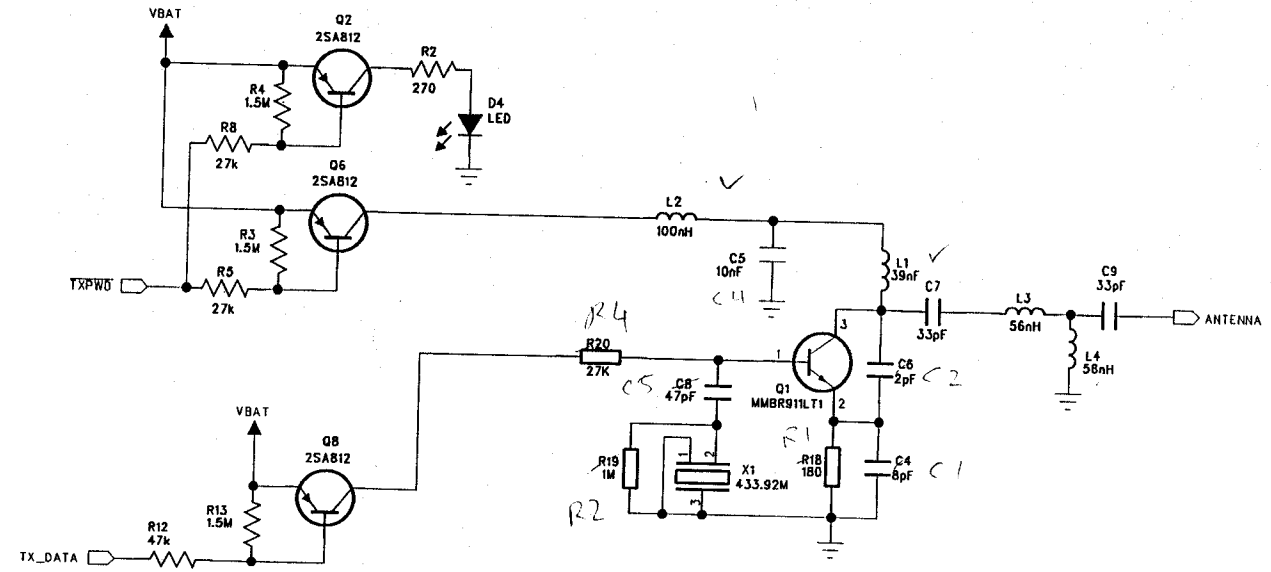
D



C

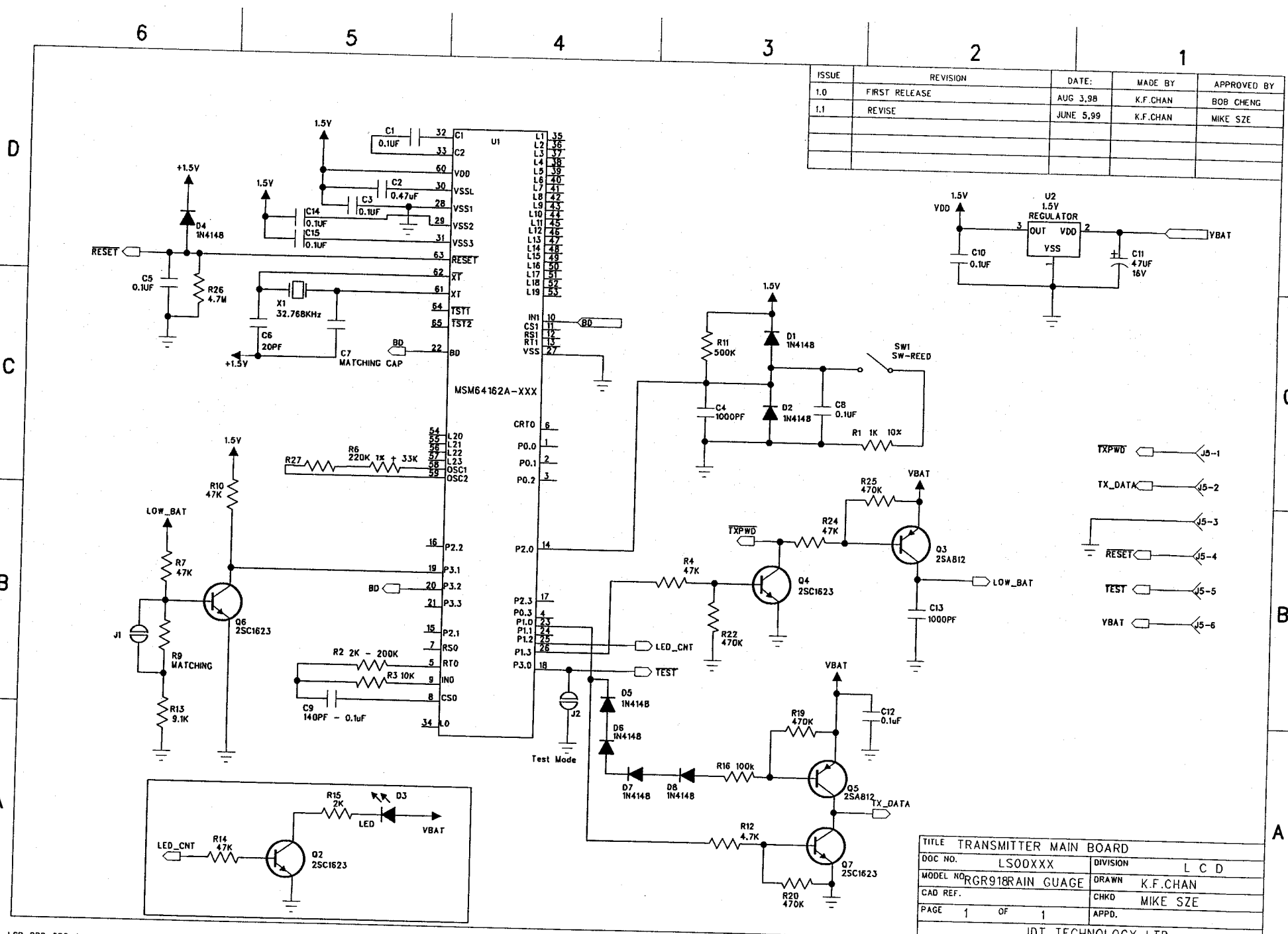


B



A

TITLE		SCHEMATIC DIAGRAM	
DOC NO.	LSXXXXX	DIVISION	L C D
MODEL NO.	STR918	DRAWN	DENNIS CHENG
CAD REF.	STR918.SCH	CHKD	MIKE SZE
PAGE	1	OF	1
APPD.	MIKE SZE		
INTEGRATED DISPLAY TECHNOLOGY LTD.			



ISSUE	REVISION	DATE:	MADE BY	APPROVED BY
1.0	FIRST RELEASE	AUG 3, 98	K.F.CHAN	BOB CHENG
1.1	REVISE	JUNE 5, 99	K.F.CHAN	MIKE SZE

TITLE TRANSMITTER MAIN BOARD			
DOC NO.	LS00XXX	DIVISION	L C D
MODEL NO.	RGR918RAIN GAUGE	DRAWN	K.F.CHAN
CAD REF.		CHKD	MIKE SZE
PAGE 1	OF 1	APPD.	
IDT TECHNOLOGY LTD.			

6

5

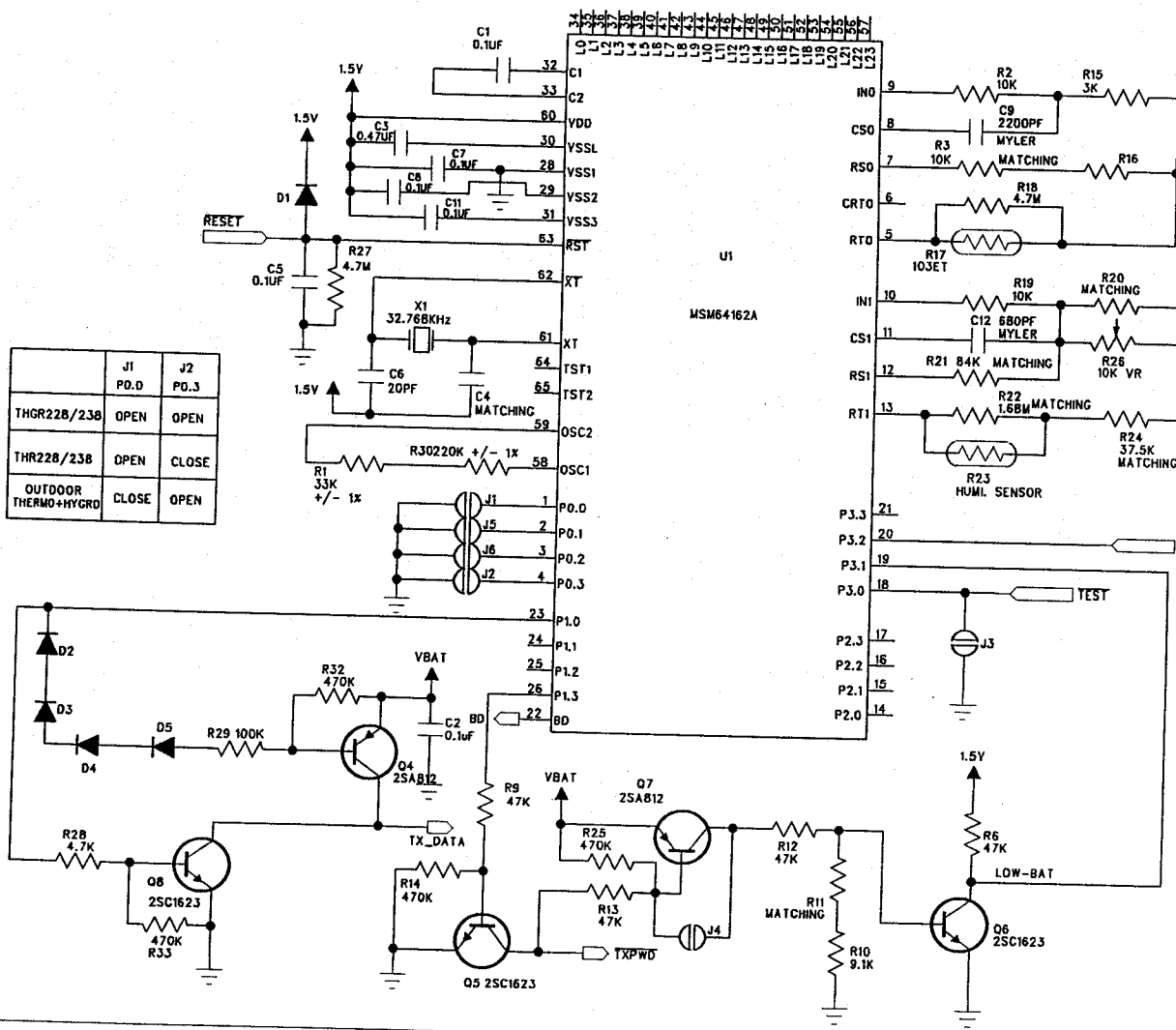
4

3

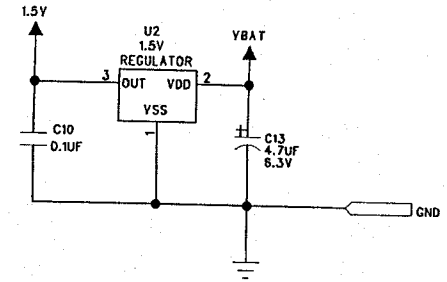
2

1

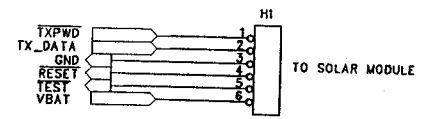
ISSUE	REVISION	DATE:	MADE BY	APPROVED BY
1.0	FIRST RELEASE	Sept 30, 98	K.F.CHAN	MIKE SZE



	J1 PO.0	J2 PO.3
THGR22B/23B	OPEN	OPEN
THR22B/23B	OPEN	CLOSE
OUTDOOR THERMO+HYGRO	CLOSE	OPEN



OUTPUT: P10 - P13 (CMOS)  
 INPUT: P30, P00 - P03 (PULL-DOWN)  
 P31 - P33 (H-Z)



TITLE			
OUTDOOR THERMO HYGRO TRANSMITTER			
DOC NO.	LS00XXX	DIVISION	L C D
MODEL NO.	THGR918	DRAWN	K.F.CHAN
CAD REF.		CHKD	MIKE SZE
PAGE	1 OF 1	APPD.	
IDT TECHNOLOGY LTD.			

6

5

4

3

2

1

ISSUE	REVISION	DATE:	MADE BY	APPROVED BY
1.0	FIRST RELEASE FOR PRODUCTION	NOV/16/98	Y SUN	MIKE SZE

D

C

B

A

	OPEN	CLOSE
J1	350*	347*

SPECTRAL BI

