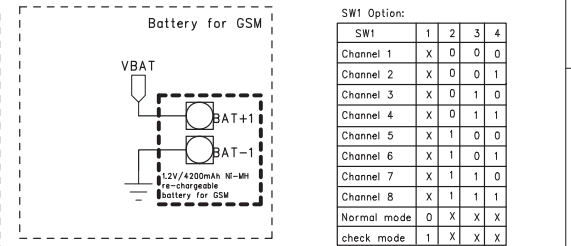
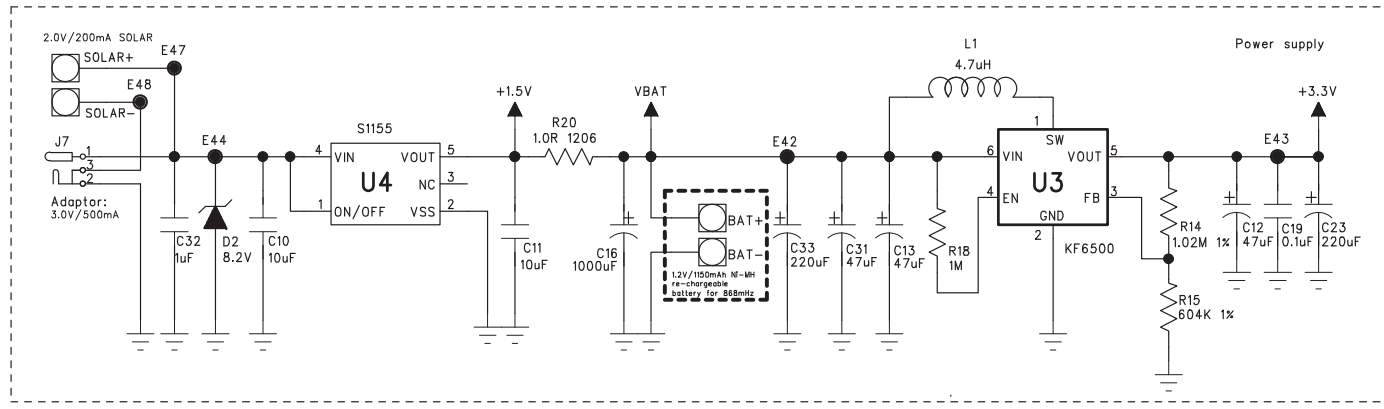
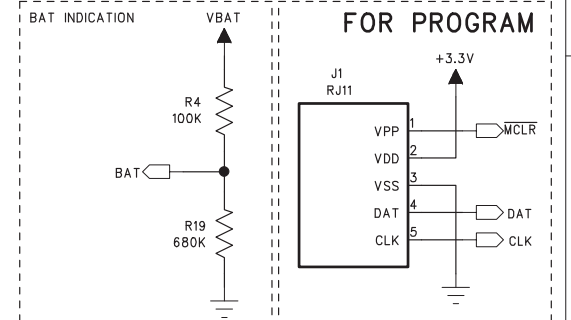
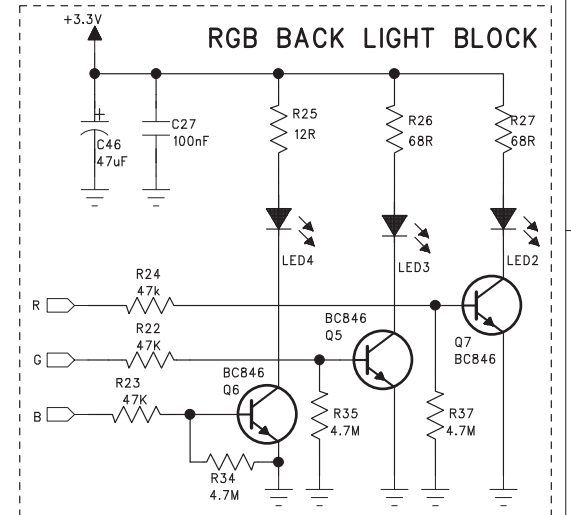
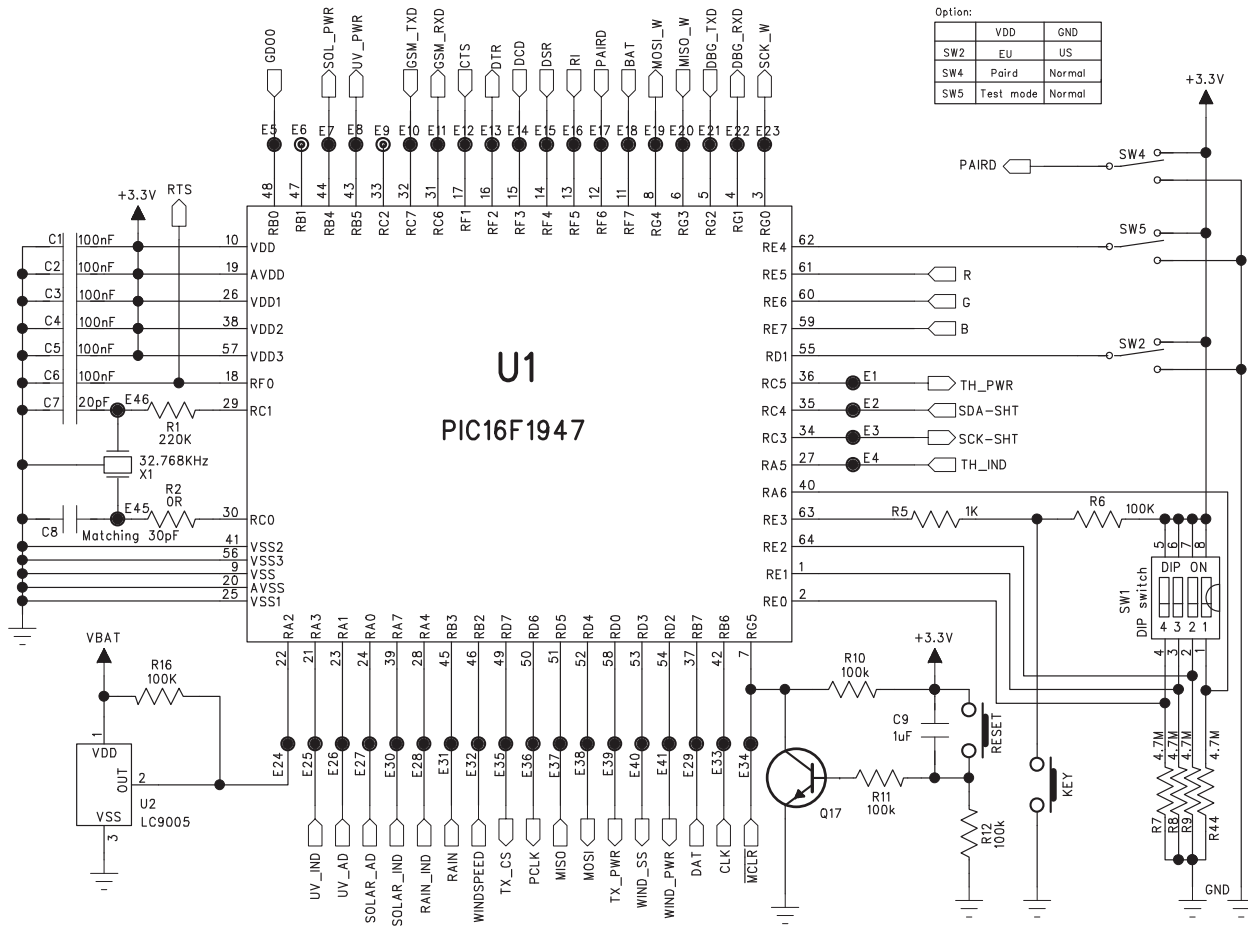


ISSUE	REVISION	DATE:	MADE BY	APPROVED BY
1.0	FIRST RELEASE FOR PRODUCTION	Sep 07, 12	WKYAO	WMR300

Option:

	VDD	GND
SW2	EU	US
SW4	Paired	Normal
SW5	Test mode	Normal



SW1 Option:

SW1	1	2	3	4
Channel 1	X	0	0	0
Channel 2	X	0	0	1
Channel 3	X	0	1	0
Channel 4	X	0	1	1
Channel 5	X	1	0	0
Channel 6	X	1	0	1
Channel 7	X	1	1	0
Channel 8	X	1	1	1
Normal mode	0	X	X	X
check mode	1	X	X	X

TITLE			
SCHEMATIC DIAGRAM			
DOC NO.	LS01756	DIVISION	L C D
MODEL NO.	STC300	DRAWN	WKYAO
CAD REF.	STC300LS1.0.SCH	CHKD	ZPZHONG
PAGE	1 OF 3	APPD.	ZPZHONG
IDT TECHNOLOGY LTD.			

6

5

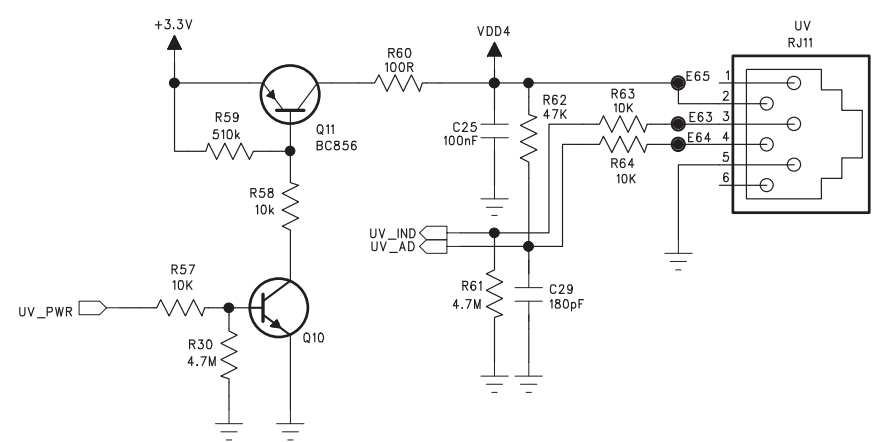
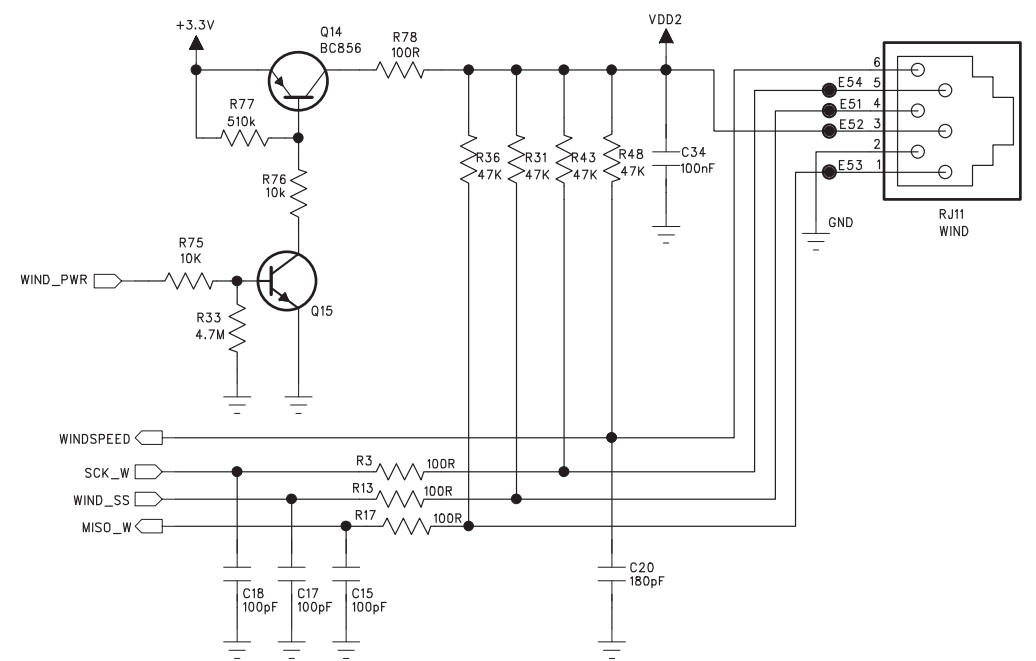
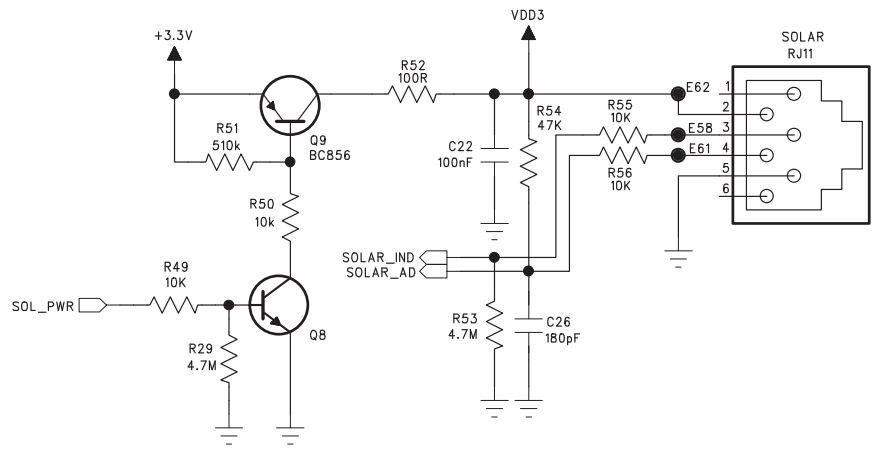
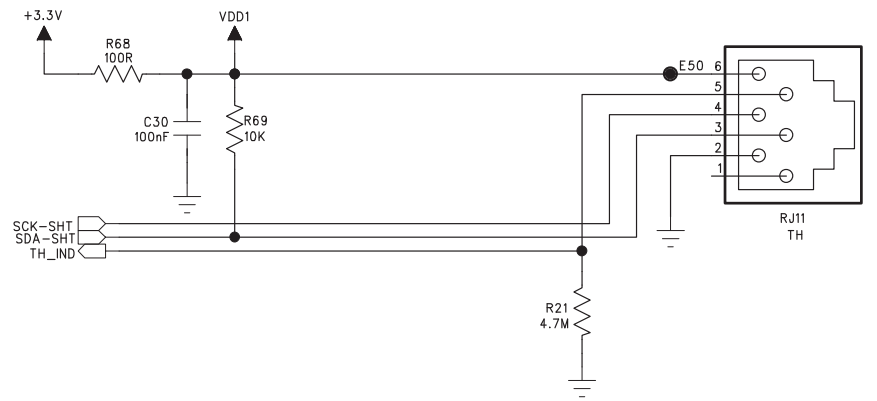
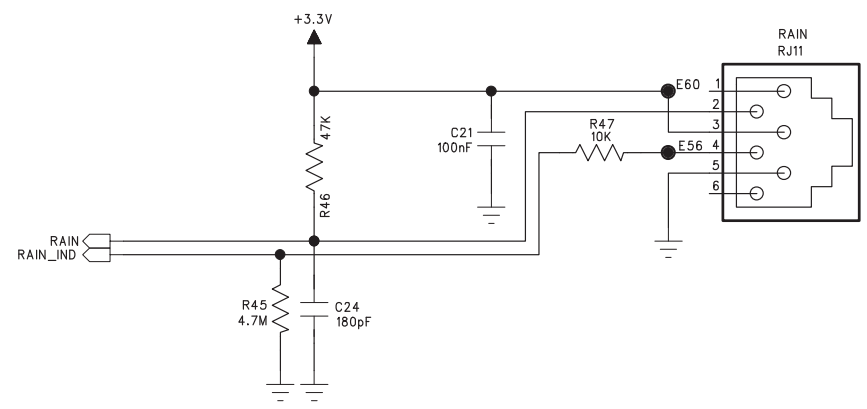
4

3

2

1

ISSUE	REVISION	DATE:	MADE BY	APPROVED BY
1.0	FIRST RELEASE FOR PRODUCTION	Sep 07,12	WKYAO	ZPZHONG



TITLE SCHEMATIC DIAGRAM				
DOC NO.	LS01756	DIVISION	L C D	
MODEL NO.	STC300	DRAWN	WKYAO	
CAD REF.	STC300LS1.0.SCH	CHKD	ZPZHONG	
PAGE	2	OF	3	APPD. ZPZHONG
IDT TECHNOLOGY LTD.				

6

5

4

3

2

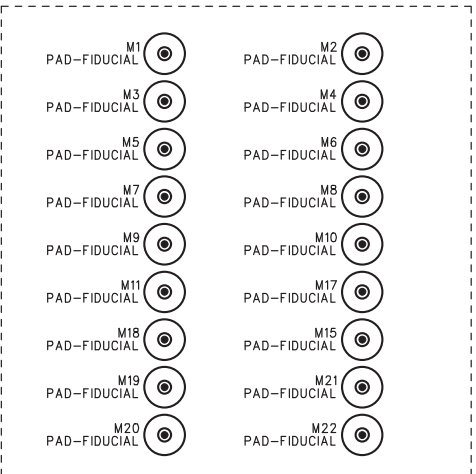
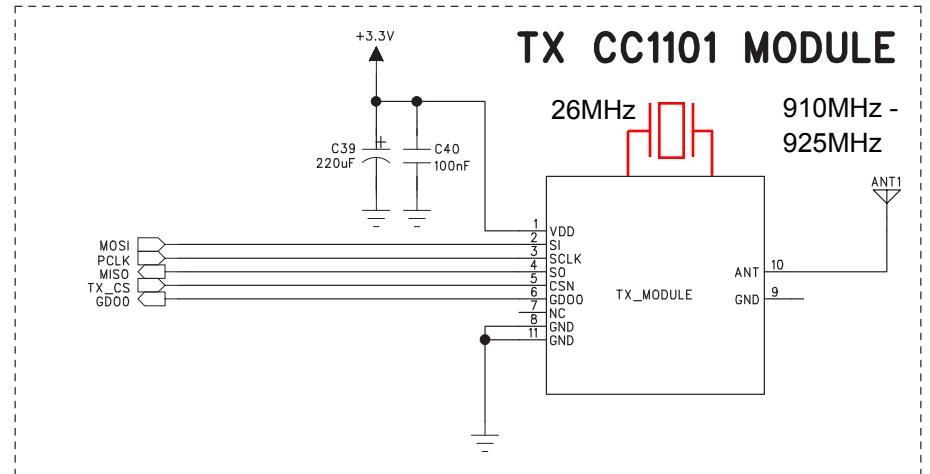
1

ISSUE	REVISION	DATE:	MADE BY	APPROVED BY
1.0	FIRST RELEASE FOR PRODUCTION	Sep 07, 12	WKYAO	ZPZHONG

Version	Date	Description
V0.1	Dec 06, 2011	Primary circuit for target board, PCB no: 250103093-00000-10.
V0.2	Dec 08, 2011	Update the circuit for SW to change I/O to add RGD/RG3/RG4 for Wind.
V0.3	Mar 02, 2012	Update circuit for WS, PCB No:250103093-00001-10.
V0.4	Jun 25, 2012	Update circuit for EPR1, PCB No:250103093-00002-10.
V0.5	Sep 07, 2012	Update circuit for EPR2, PCB No:250103093-00003-10.

--	--	--

TITLE SCHEMATIC DIAGRAM			
DOC NO.	LS01756	DIVISION	L C D
MODEL NO.	STC300	DRAWN	WKYAO
CAD REF.	STC300LS1.0.SCH	CHKD	ZPZHONG
PAGE	3 OF 3	APPD.	ZPZHONG
IDT TECHNOLOGY LTD.			



6

5

4

3

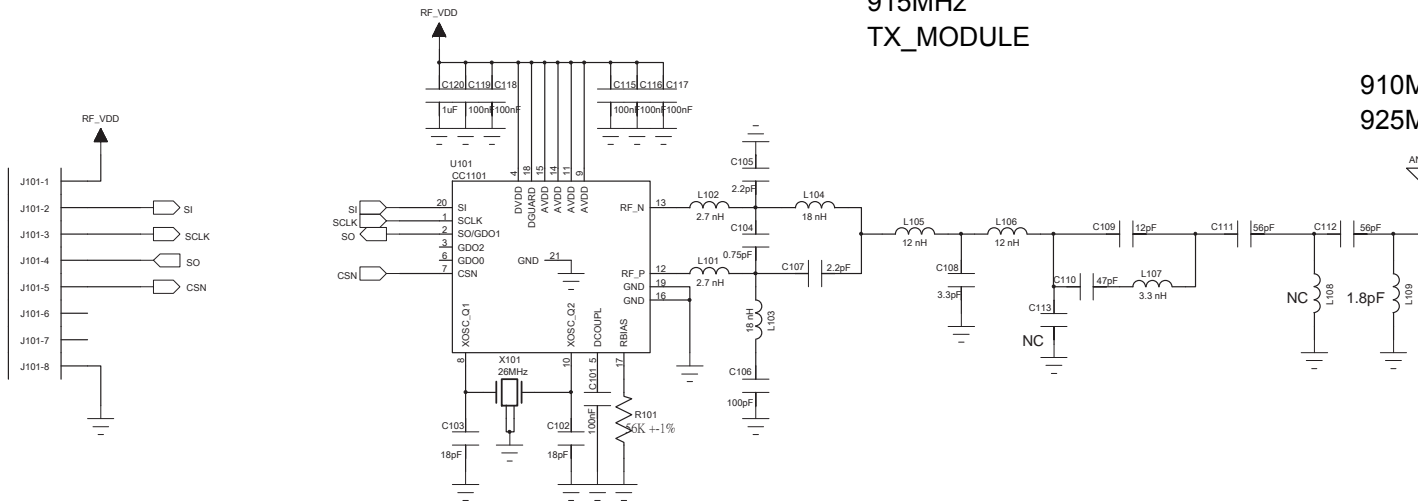
2

1

REVISION RECORD			
LTR	ECO NO:	APPROVED:	DATE:

915MHz TX_MODULE

910MHz -
925MHz



COMPANY:				<Company Name>			
TITLE:				<Title>			
DRAWN: <Drawn By>	DATED: <Drawn Date>	CODE:	SIZE:	DRAWING NO:		REV:	
CHECKED: <Checked By>	DATED: <Checked Date>	<Code>	B	<Drawing Number>Revision			
QUALITY CONTROL: <QC By>	DATED: <QC Date>	SCALE: <Scale>		SHEET: 1F 1			
RELEASED: <Released By>	DATED: <Release Date>						

D

D

C

C

B

B

A

A