

6

5

4

3

2

1

ISSUE	REVISION	DATE:	MADE BY	APPROVED BY
1.0	FIRST RELEASE FOR PRODUCTION	Mar 21, 2013	WKYAO	ZPZHONG

X101 26MHz  910MHz-925MHz 

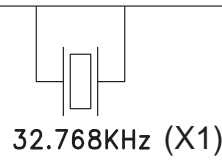
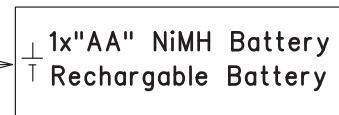
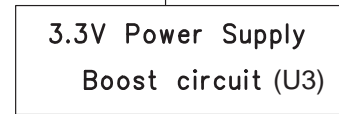
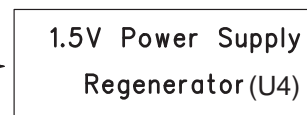
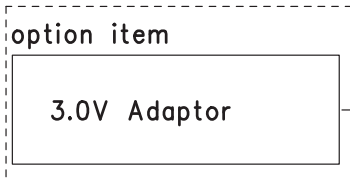
915MHz Module (Tx)

LED indicate Circuit

Interface:  
 1). Channel elect  
 2). Paire switch  
 3). Normal/test mode switch  
 4). "RESET" tact switch  
 5). "KEY" tact switch

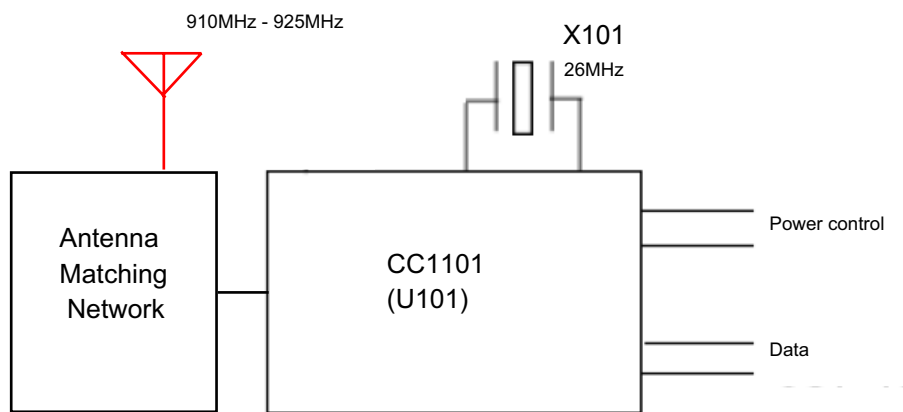


Future sensors extension:



TITLE			
SCHEMATIC DIAGRAM			
DOC NO.	LS01756	DIVISION	L C D
MODEL NO.	STC300	DRAWN	WKYAO
CAD REF.	STC300 Block diagram	CHKD	ZPZHONG
PAGE	1 OF 1	APPD.	ZPZHONG

IDT TECHNOLOGY LTD.



**Block Diagram**

915MHz Module  
(Tx)

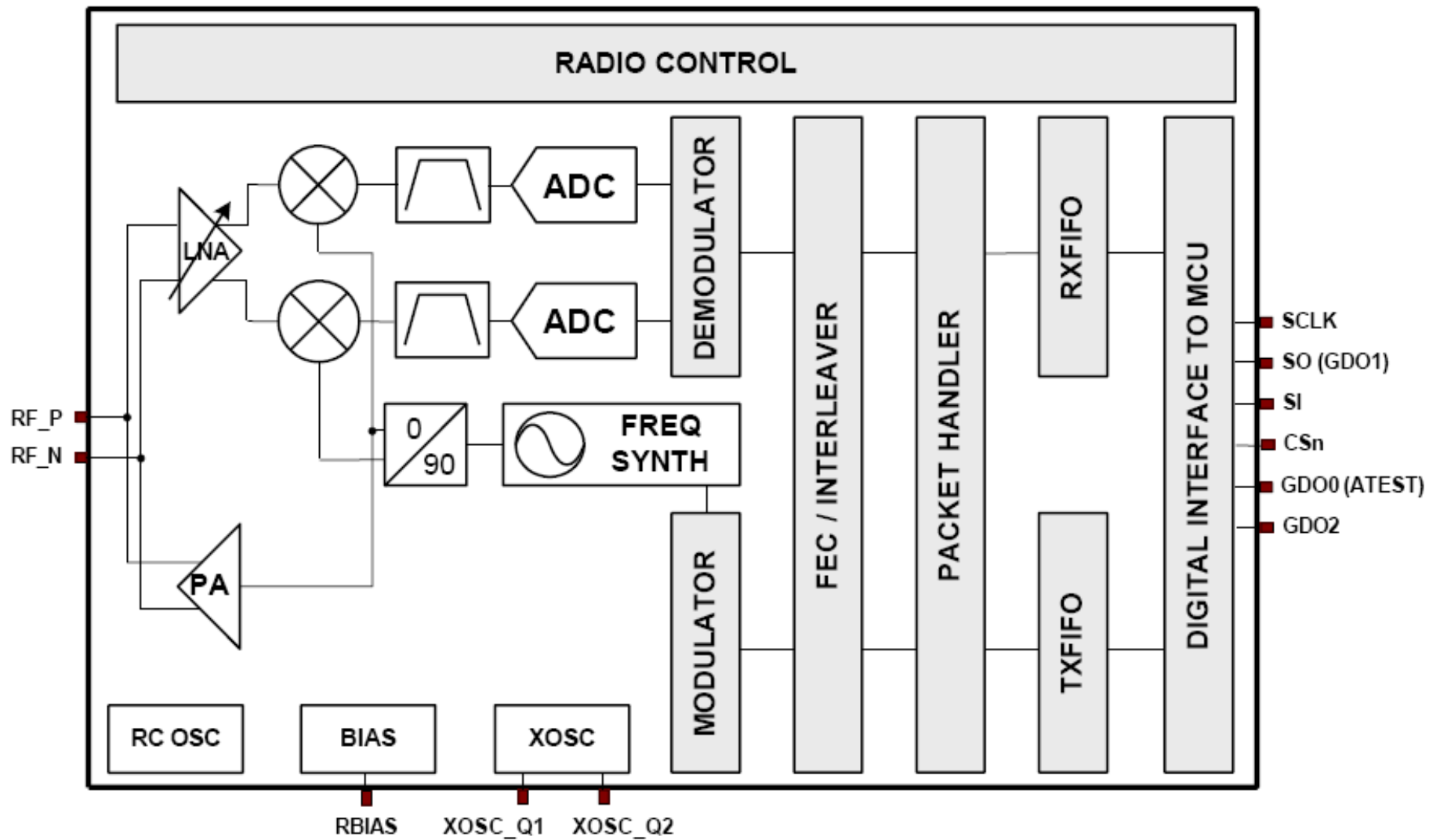


Figure 9: **CC1101** Simplified Block Diagram