

ISSUE	REVISION	DATE:	MADE BY	APPROVED BY
1.0	FIRST RELEASE FOR PRODUCTION	OCT/6/04	XPWAN	PIERRE
2.0	CHANGE RC IC FROM UE6005 TO UE6010	JUL/5/05	LI JING	XB LIU

D

D

C

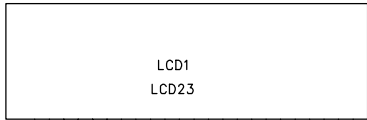
C

B

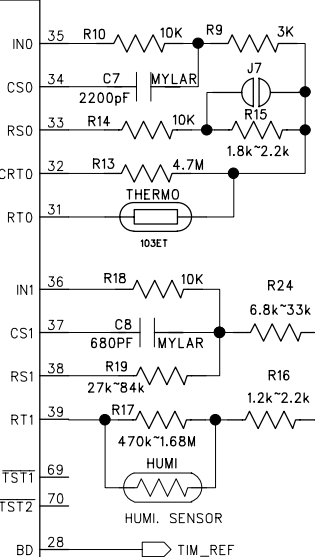
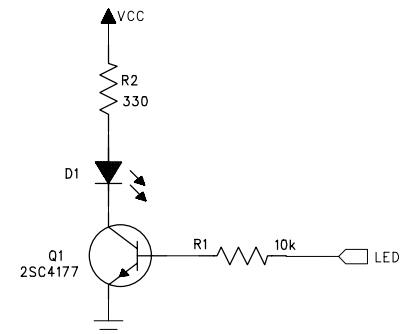
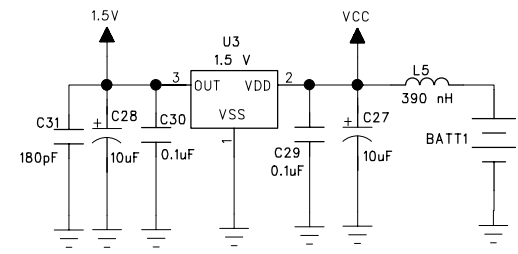
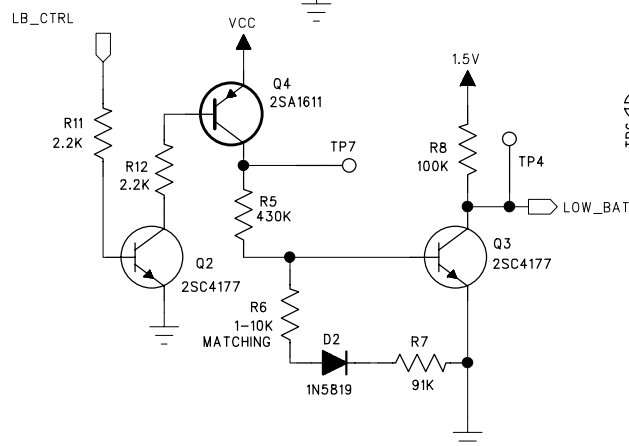
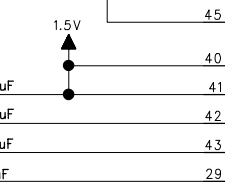
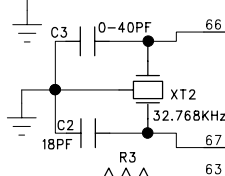
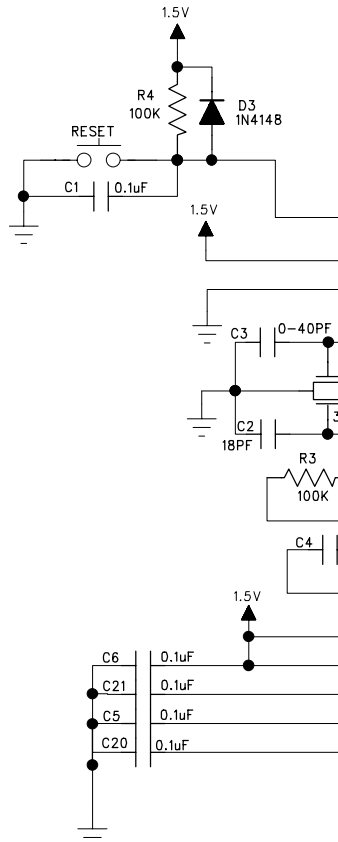
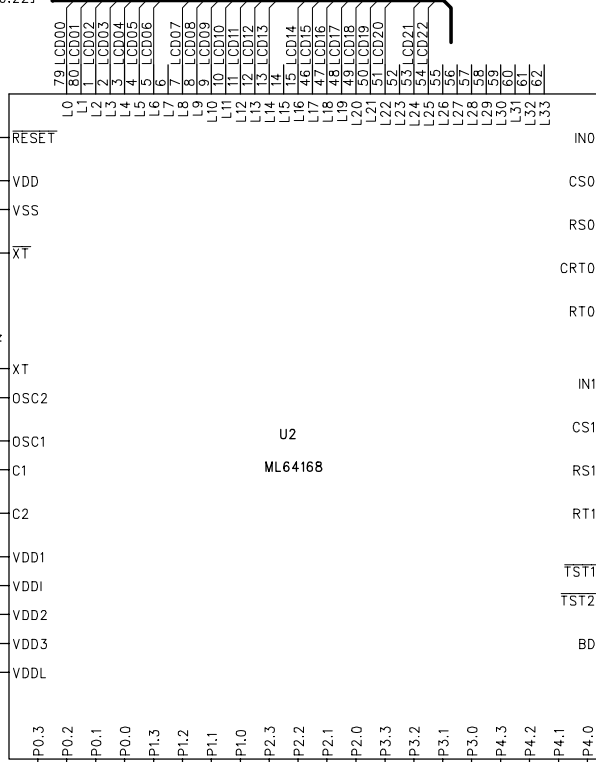
B

A

A



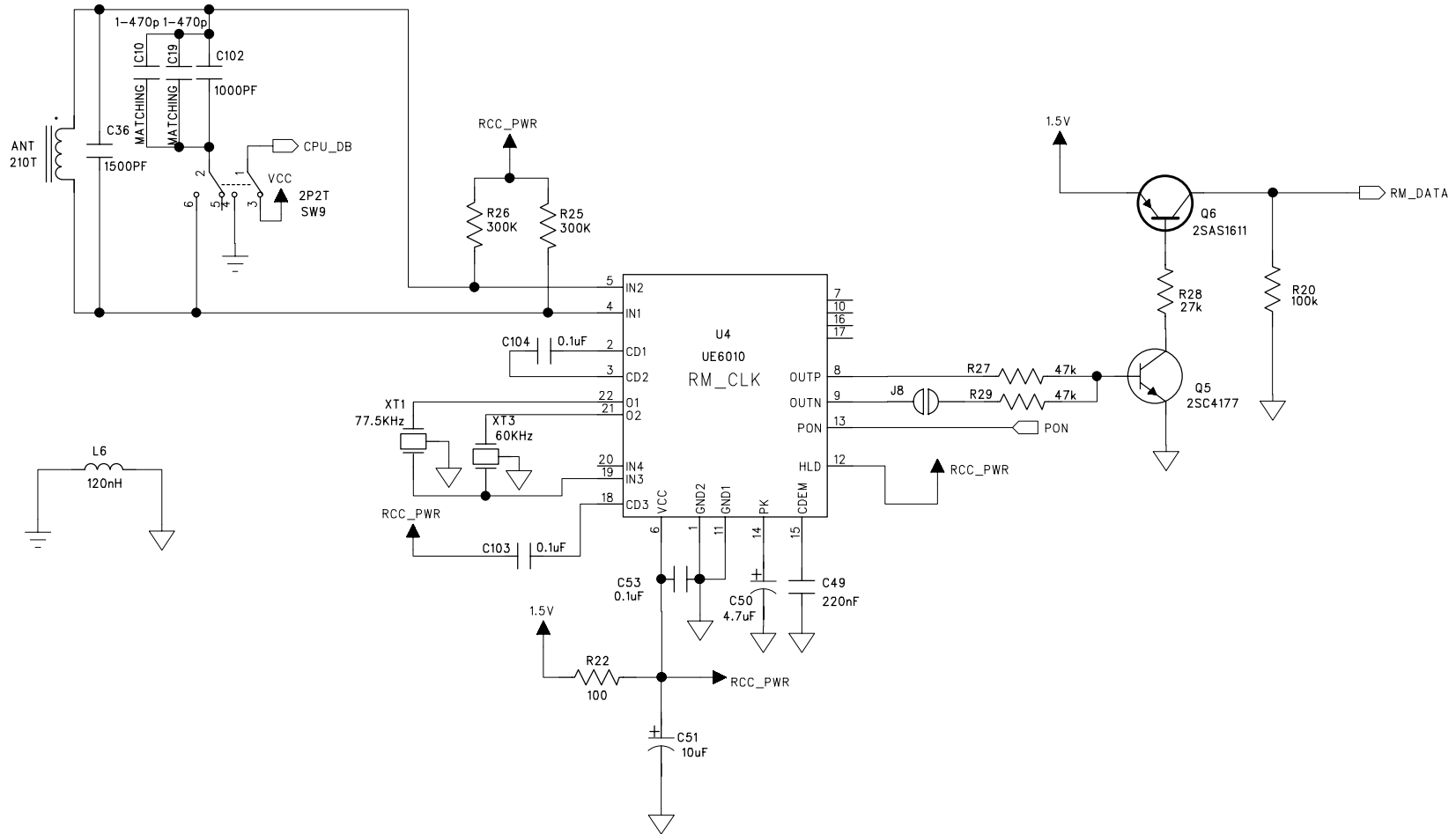
LCD[00:22] LCD[00:22]



	CH1	CH2	CH3	CH4	CH5
P2.0	OPEN	SHORT	SHORT	OPEN	OPEN
P2.1	OPEN	OPEN	SHORT	SHORT	OPEN
P2.2	OPEN	OPEN	OPEN	SHORT	SHORT

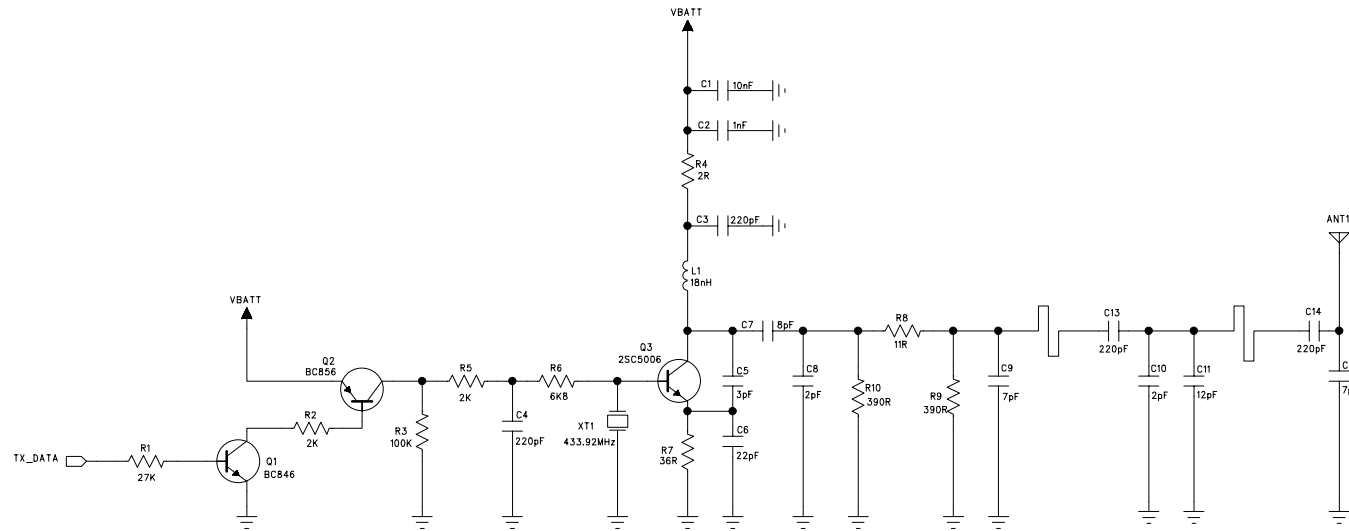
TITLE: MAIN BOARD SCHEMATIC DIAGRAM			
DOC NO.	LS00991	DIVISION	L C D
MODEL NO.	RTGR368N	DRAWN	LI JING
CAD REF.	RTGR368N-M7.SCH	CHKD	LIU XUE BIN
PAGE	1	OF	3
		APPD.	WILSON CHAN
IDT TECHNOLOGY LTD.			

ISSUE	REVISION	DATE:	MADE BY	APPROVED BY
1.0	FIRST RELEASE FOR PRODUCTION	OCT/6/04	XPWAN	PIERRE
2.0	CHANGE RC IC FROM UE6005 TO UE6010	JUL/5/05	LI JING	XB LIU



TITLE: MAIN BOARD SCHEMATIC DIAGRAM			
DOC NO.	LS00991	DIVISION	L C D
MODEL NO.	RTGR368N	DRAWN	LI JING
CAD REF.	RTGR368N-M7.SCH	CHKD	LIU XUE BIN
PAGE	2 OF 3	APPD.	WILSON CAHN
INTEGRATED DISPLAY TECHNOLOGY LTD.			

ISSUE	REVISION	DATE:	MADE BY	APPROVED BY
1.0	CHANGE RC IC FROM UE6005 TO UE6010	JUN/21/05	LI JING	XB LIU



TITLE		SCHEMATIC DIAGRAM	
DOC NO.	LS00879	DIVISION	L C D
MODEL NO.	RTGR328N	DRAWN	LI JING
CAD REF.	RTGR328N-TX.SCH	CHKD	XB LIU
PAGE	3 OF 3	APPD.	WILSON CHAN
IDT TECHNOLOGY LTD.			