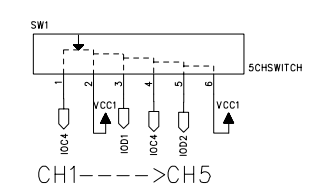
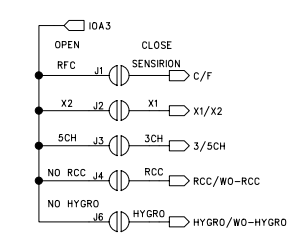
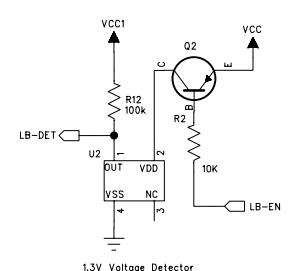
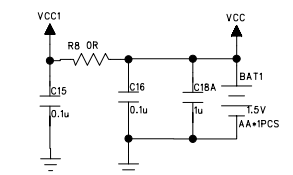
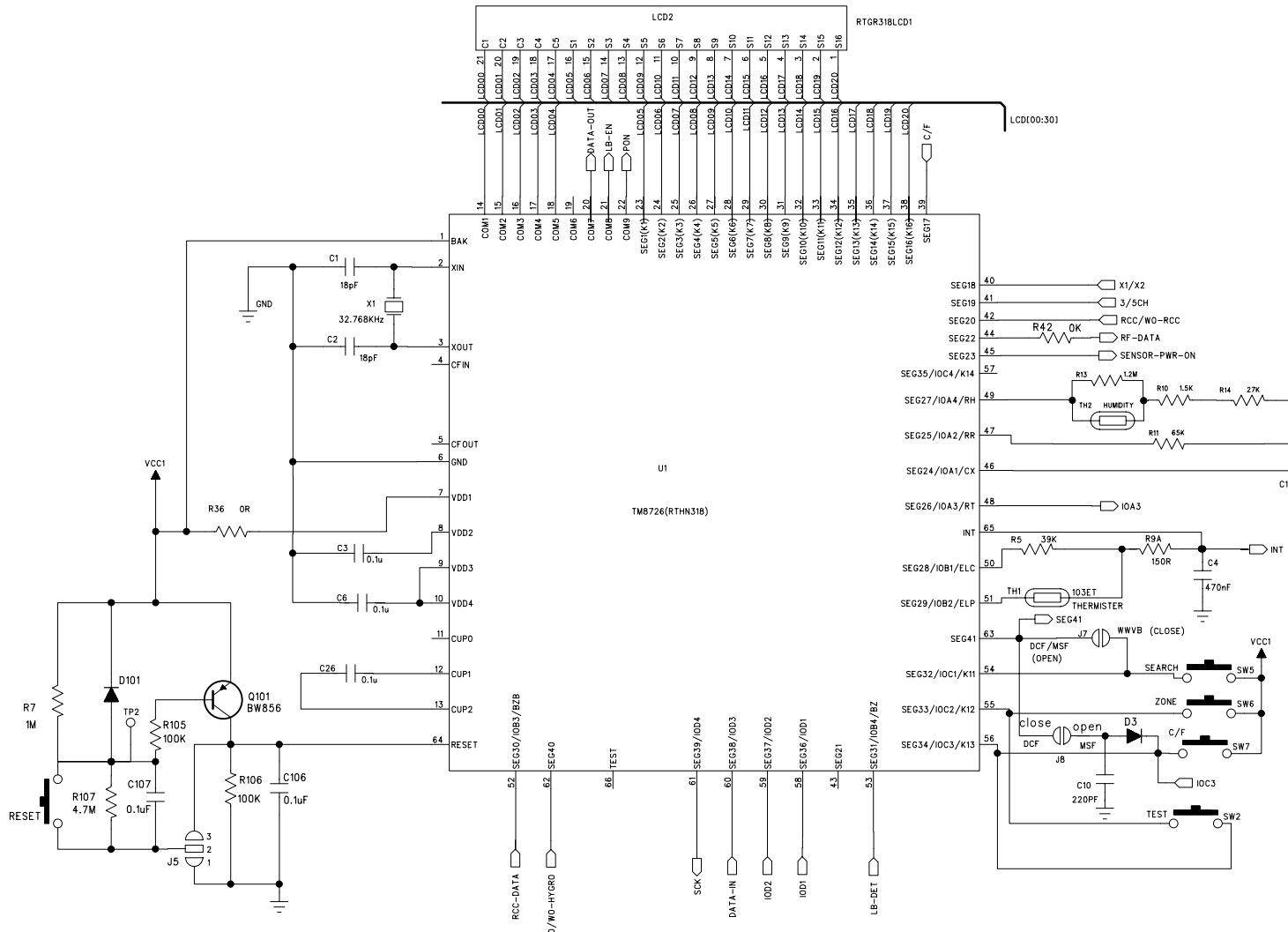


| ISSUE | REVISION                     | DATE:     | MADE BY | APPROVED BY |
|-------|------------------------------|-----------|---------|-------------|
| 1.0   | First Release For Production | 14 APR 08 | MZLAI   | WILSON CHAN |
|       |                              |           |         |             |
|       |                              |           |         |             |
|       |                              |           |         |             |



|                     |                              |          |             |
|---------------------|------------------------------|----------|-------------|
| TITLE:              | MAIN BOARD SCHEMATIC DIAGRAM |          |             |
| DOC NO.             | LSXXXXX                      | DIVISION | LCD         |
| MODEL NO.           | RTGN318A                     | DRAWN    | MZLAI       |
| CAD REF.            | RTGN318A_LS.SCH              | CHKD     | DRZHOU      |
| PAGE                | 1 OF 3                       | APPD.    | WILSON CHAN |
| IDT TECHNOLOGY LTD. |                              |          |             |

6

5

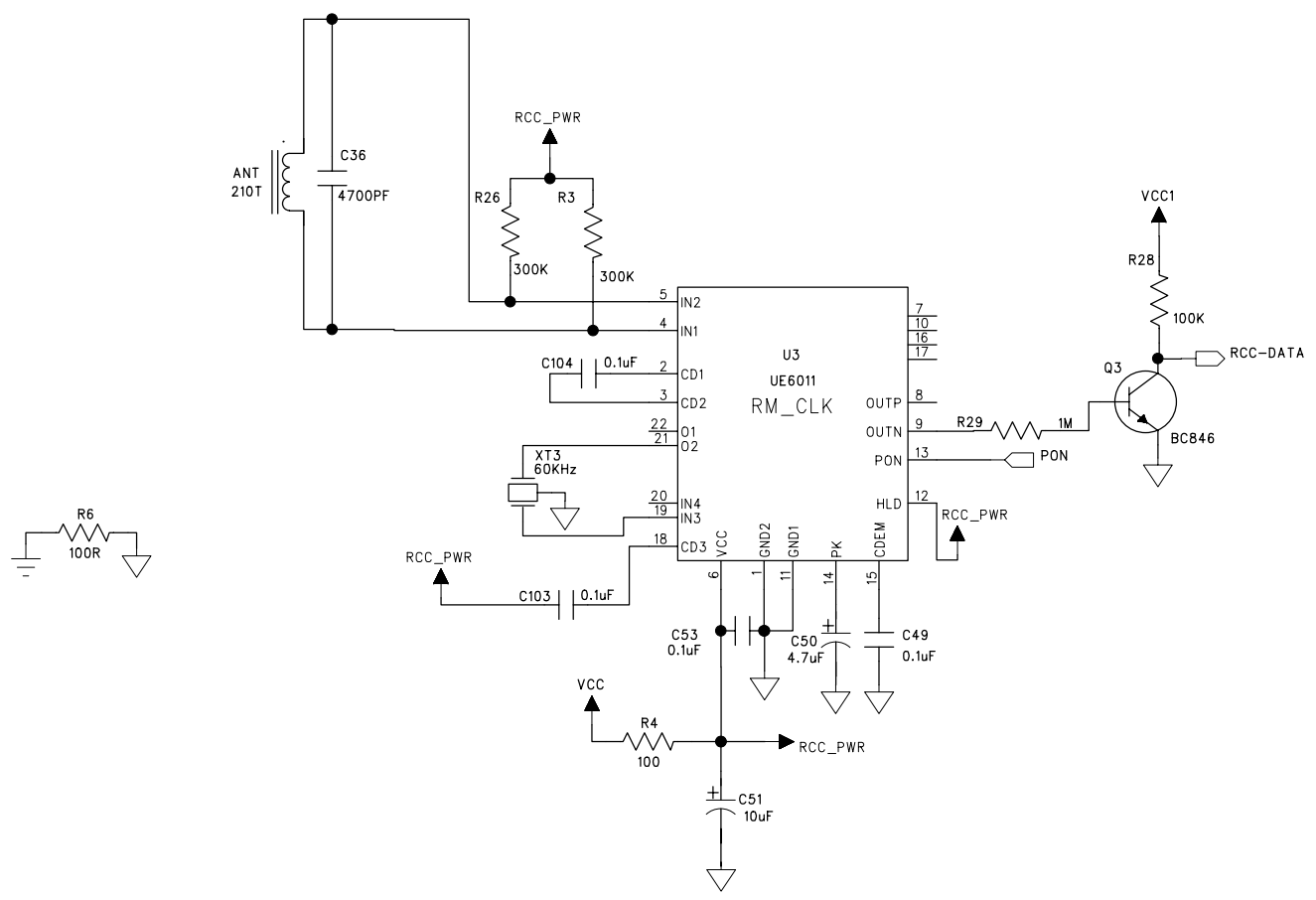
4

3

2

1

| ISSUE | REVISION                     | DATE:     | MADE BY | APPROVED BY |
|-------|------------------------------|-----------|---------|-------------|
| 1.0   | FIRST RELEASE FOR PRODUCTION | 14 APR 08 | MZLAI   | WILSON CHAN |
|       |                              |           |         |             |
|       |                              |           |         |             |
|       |                              |           |         |             |



| TITLE               |                 | SCHEMATIC DIAGRAM |             |
|---------------------|-----------------|-------------------|-------------|
| DOC NO.             | LSXXXXX         | DIVISION          | L C D       |
| MODEL NO.           | RTGN318A        | DRAWN             | MZLAI       |
| CAD REF.            | RTGN318A LS.SCH | CHKD              | DRZHOU      |
| PAGE                | 2 OF 3          | APPD.             | WILSON CHAN |
| IDT TECHNOLOGY LTD. |                 |                   |             |

6

5

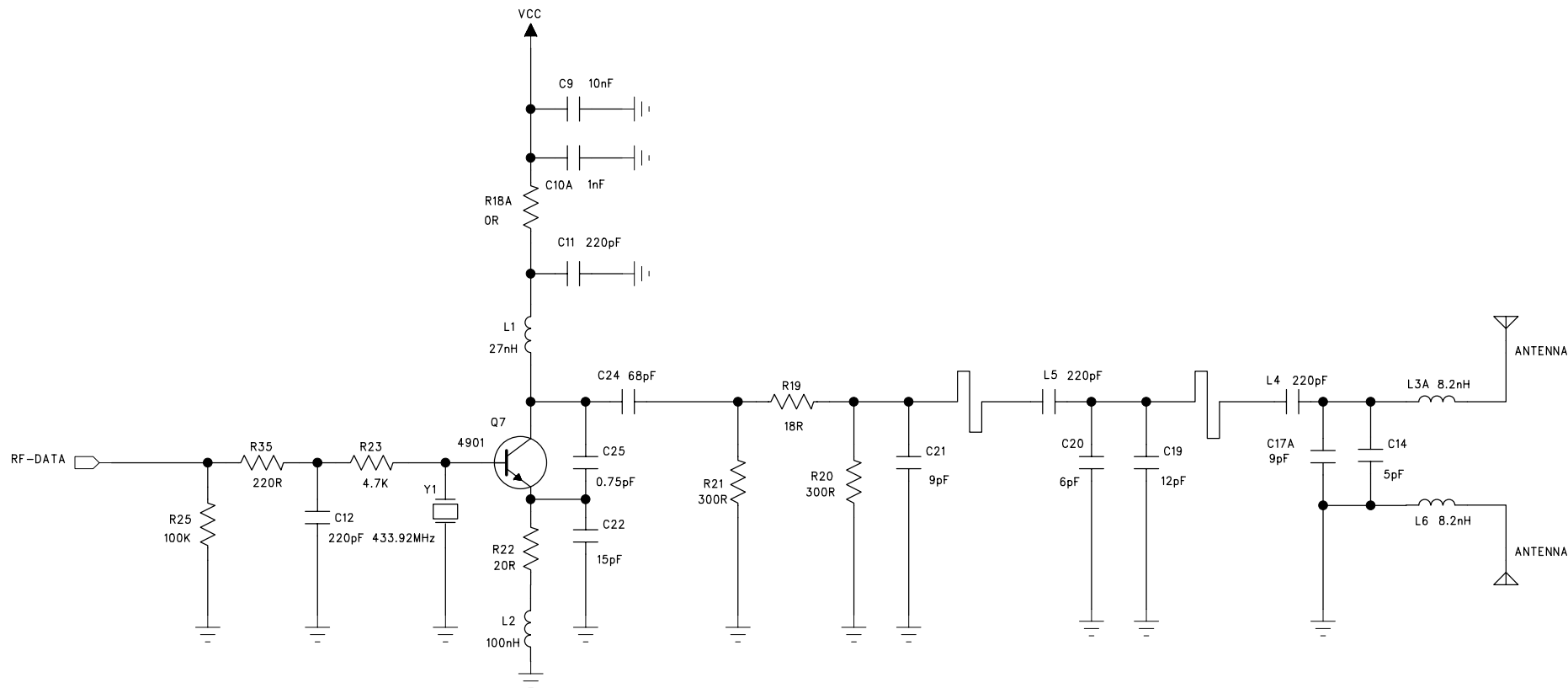
4

3

2

1

| ISSUE | REVISION                     | DATE:     | MADE BY | APPROVED BY |
|-------|------------------------------|-----------|---------|-------------|
| 1.0   | FIRST RELEASE FOR PRODUCTION | 14 APR 08 | MZLAI   | WILSON CHAN |
|       |                              |           |         |             |
|       |                              |           |         |             |
|       |                              |           |         |             |



|                     |                 |                   |             |
|---------------------|-----------------|-------------------|-------------|
| TITLE               |                 | SCHEMATIC DIAGRAM |             |
| DOC NO.             | LSXXXXX         | DIVISION          | L C D       |
| MODEL NO.           | RTGN318A        | DRAWN             | MZLAI       |
| CAD REF.            | RTGN318A LS.SCH | CHKD              | DRZHOU      |
| PAGE                | 3 OF 3          | APPD.             | WILSON CHAN |
| IDT TECHNOLOGY LTD. |                 |                   |             |