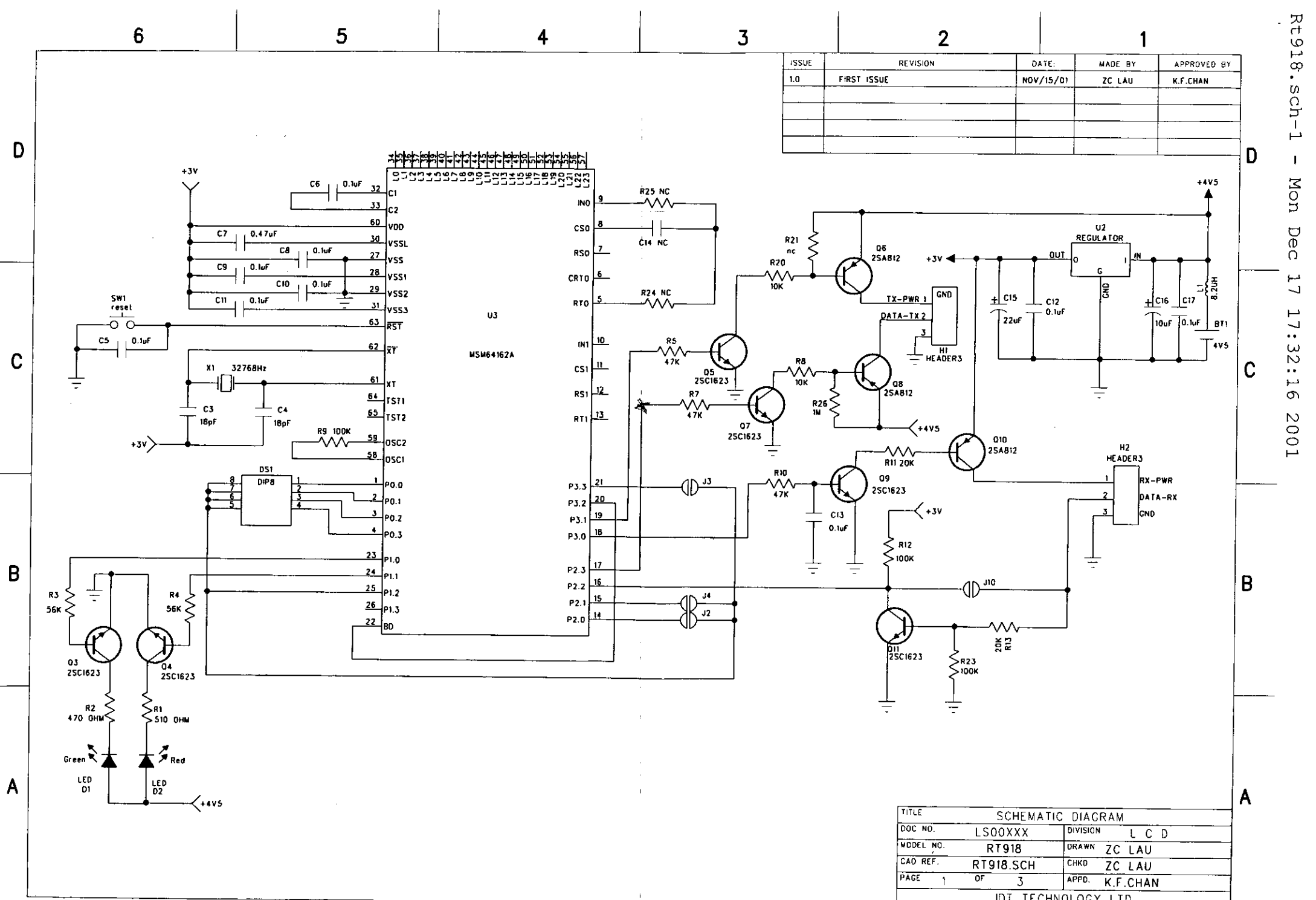


ISSUE	REVISION	DATE:	MADE BY	APPROVED BY
1.0	FIRST ISSUE	NOV/15/01	ZC LAU	K.F.CHAN



TITLE			
SCHEMATIC DIAGRAM			
DOC NO.	LS00XXX	DIVISION	L C D
MODEL NO.	RT918	DRAWN	ZC LAU
CAD REF.	RT918.SCH	CHKD	ZC LAU
PAGE	1	OF	3
		APPD.	K.F.CHAN
IDT TECHNOLOGY LTD.			

6

5

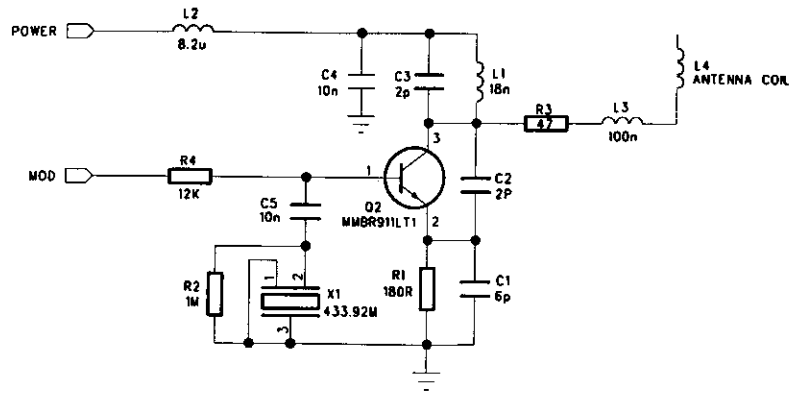
4

3

2

1

ISSUE	REVISION	DATE:	MADE BY	APPROVED BY
1.0	FIRST RELEASE FOR PRODUCTION	NOV/15/01	ZC LAU	K.F.CHAN



UHF TRANSMITTER

TITLE			
SCHEMATIC DIAGRAM			
DOC NO.	LSXXXXX	DIVISION	L C D
MODEL NO.	RT918	DRAWN	ZC LAU
CAD REF.	RT918TX.SCH	CHKD	ZC LAU
PAGE	3	OF	3
		APPD.	K.F.CHAN
IDT TECHNOLOGY LTD.			