



**POLERMO Projection Clock
with Motion Alert
Model: RMR939PA / MSR939A**

USER MANUAL



ZEN

**POLERMO Projection Clock
with Motion Alert
Model: RMR939PA / MSR939A**

USER MANUAL

CONTENTS

Introduction 2

Product Overview 3

 Front View 3

 Back View 5

 LCD Display 6

 Remote Motion Sensor (MSR939A) - Front View .. 8

 Remote Motion Sensor (MSR939A) - Back View .. 9

Safety and Care 10

 Safety Precautions 10

 Caring for this Product 10

Getting Started 10

 Package Contents 10

 Batteries 11

 AC Adaptor 12

About Atomic Clock Reception 12

 Turning the Atomic Clock Signal ON / OFF 13

Clock / Calendar 13

 Clock / Calendar Display 13

 Setting the Clock / Calendar 14

Backlight 14

Temperature 14

Alarm 15

 Alarm Display 15

 Setting the Alarm(s) 15

 Activating / Deactivating the Alarm(s) 15

 Alarm Sound 15

 Snooze / Turning the Alarm OFF 15

Motion Alarm 16

 Motion Alarm Setting Display 16

 Setting the Motion Alarm 16

 Turning the Motion Alarm OFF 17

Sleep Timer 17

Projection Unit 18

Motion Sensor (MSR939A) 18

 Setup Sensor 18

Wake-Up Vibration Alarm - VR101A (Optional) 19

Resetting the Clock 19

Warnings 20

Troubleshooting 20

Technical Specifications 21

Notices	23
Statement of Responsibility	23
About Oregon Scientific	23
FCC Statement	24
Declaration of Conformity	23



INTRODUCTION



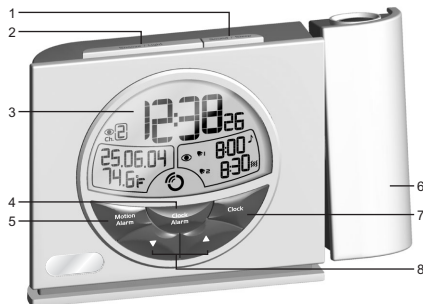
Thank you for selecting the Oregon Scientific™ **POLERMO Projection Clock with Motion Alert**. This device is designed to give you many years of reliable service, including the following conveniences:

- US Atomic Calendar Clock
- Optional Wireless Vibration Alarm with 8-Minute Snooze Function (Wake-Up Vibrating Alarm VR101A can be purchased separately)
- Sleep Function with 6 Soothing Sounds
- 5 Alarm Melodies with 2 Volume Levels
- 2-Minute Dual Alarm with 8-Minute Snooze Function
- Time / Alarm Status Projection Unit
- Security Alarm / Motion Sensor Unit
- Indoor Temperature Display
- Day of the Week in 1 of 5 Languages
- Time Zone Hour Offset Function
- Backlight for Clock

Keep this manual handy as you use your new product. It contains practical step-by-step instructions, as well as technical specifications and warnings you should know.

PRODUCT OVERVIEW

FRONT VIEW



1. **SOUND / SLEEP button**

- Press to turn the soothing sound ON.
- Press to wrap around the sleep timer setting as follows: 0 → 120 → 90 → 60 → 30 → 15 → 0 → minutes.
- Press and hold for 2 seconds to choose 1 of 6 soothing sounds.

2. **SNOOZE / LIGHT button**

- Press to activate the 8-minute snooze function.
- Press and hold for 2 seconds to turn snooze OFF and reset the alarm for the next day.
- Press to activate the backlight and projection for 5 seconds.

3. **LCD display**

4. **CLOCK ALARM button**

- Press to toggle between alarm 1 and alarm 2 - ON / OFF.
- Press and hold for 2 seconds to enter the Alarm Time Setting Mode.

5. **MOTION ALARM button**

- Press to enter the Motion Alarm Mode; press again to toggle between motion alarm ON / OFF.



EN

- Press and hold for 2 seconds to enter:
 - Motion Sensor Code.
 - Motion Alarm Setting Mode for motion alarm period and alarm type.

6. **Projector**

Projects time and alarm status.

7. **CLOCK button**

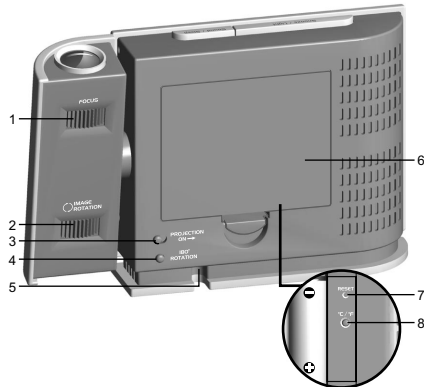
- Press to toggle between the following display modes:
 - Clock with seconds and calendar.
 - Clock with weekday and calendar.
 - Clock with time zone hour offset and calendar.
- Press and hold for 2 seconds to enter the Clock Setting Mode - **US time zone hour offset**, 12- / 24-hour format, hour, minute, year, MM / DD or DD / MM format, month, day and day of the week language.

8. **▲ UP / ▼ DOWN button**

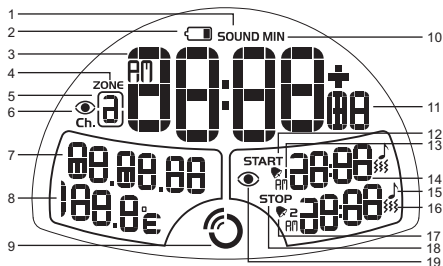
- Press to increase or decrease a setting.
- Press and hold for 2 seconds to activate or deactivate **atomic clock**.
- Press to increase or decrease the soothing sound volume.



BACK VIEW



- 1. Projector FOCUS knob**
 - Twist to focus the projected image.
- 2. Projector IMAGE ROTATION knob**
 - Twist to get the best viewing angle of the projected image.
- 3. PROJECTION ON switch**
 - Slide to ON for continuous image projection when the AC power is connected.
- 4. Projector 180° ROTATION button**
 - Press to rotate the image upside down.
- 5. 6V AC / DC Power Socket**
- 6. Battery Compartment (cover on)**
 - Uses 4 x UM-3 / AA 1.5V batteries.
- 7. RESET hole**
 - Insert a thin blunt instrument to return all values to the default settings.
- 8. °C / °F switch**
 - Press to select between °C / °F display format.



1. SOUND

- Appears when the sleep function is activated.

2. Battery Low icon

- Appears when the clock batteries are low or, no batteries are installed and only the AC adaptor is connected.

3. Time

- HH / MM, 12- / 24-Hour, AM / PM.

4. ZONE

- Appears when you are in the Time and Zone Hour Offset display.

5. Channel 1 / 2

- Ch.1 or Ch.2 will appear when the related motion sensor is activated.

6. Motion Alarm ON icon

7. Calendar

- DD / MM / YY or MM / DD / YY.

8. Temperature

- °C / °F.

9. Atomic Clock Signal Reception icon

- Shows the strength of the reception signal.



Z
E

10. **MIN**

- Appears when the sleep function is activated.

11. **Time Zone Hour Offset / Day of the Week**

- Offsets the **atomic clock** time setting when you are in a different time zone (+ / -23 hours).
- Name of day available in 1 of 5 languages.

12. **START**

- Start time for the motion sensor to be activated.

13. **Alarm 1**

- Indicator to show this is alarm 1.

14. **Alarm 1 / 2 Time**

- Shows alarm times / AM or PM.

15. **Melody Alarm icon**

- Shows when the clock alarm is set.

16. **Vibration Alarm icon** (Wake-Up Vibration Alarm - optional item)

- Appears on the display when the vibrating alarm has been set.

17. **Alarm 2**

- Indicator to show this is alarm 2.

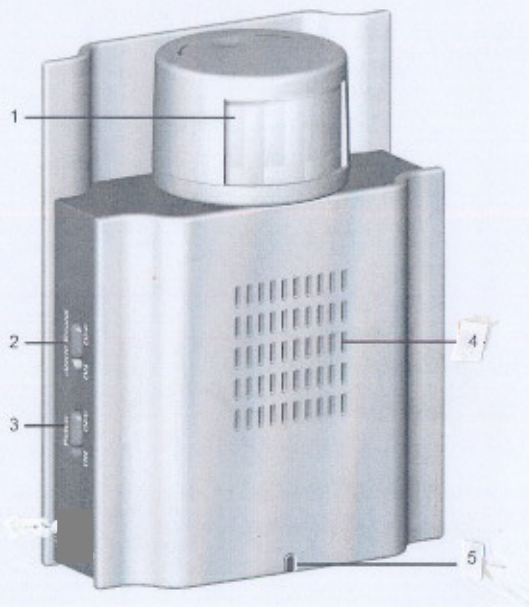
18. **STOP**

- Stop time for the motion sensor.

19. **Motion Alarm Settings icon**

EN

REMOTE MOTION SENSOR (MSR939A) - FRONT VIEW



1. **Rotary Motion Sensor**

- Detects motion and activates both alarms on the remote motion sensor and main clock units in accordance with the settings used.
- Twist the knob to direct the sensor to the position you want.

2. **ALARM SOUND ON / OFF switch**

- Slide switch to ON - the sensor will sound the alarm if it detects movement.
- Slide switch to OFF - the alarm sound function will be turned off.

3. **POWER ON / OFF**

- Slide to turn the motion sensor ON or OFF.

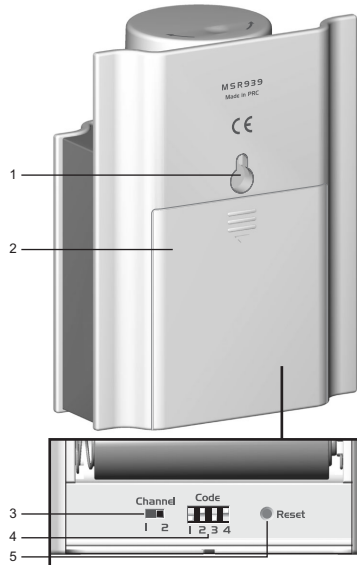
4. **Motion Alarm Speaker**

5. **LED Indicator**



Z
E

REMOTE MOTION SENSOR (MSR939A) - BACK VIEW



1. **Wall Mount**
2. **Battery Compartment (cover on)**
 - Uses 3 x UM-3 / AA 1.5V batteries.
3. **CHANNEL 1 / 2**
 - Slide to select either Channel 1 or Channel 2.
4. **CODE switch**
 - Slide to change the Code.
5. **RESET hole**
 - Insert a thin blunt instrument to return all values to the default settings.

SAFETY AND CARE

SAFETY PRECAUTIONS

Please observe the following safety precautions when setting up and using this product.

- **LCD panel** - The LCD panel is made of glass, and may break if the unit is dropped.
- **Heat sources** - Keep the product away from heat sources, such as radiators, stoves, heaters, and other heat-generating products.
- **Water and moisture** - Do not use the product in or near water or in high moisture areas, such as a bathroom.
- **Power source** - The product may be susceptible to power surges. It should be unplugged during severe storms or whenever you will be away for a long time. Only use the type of power source specified in this manual. Do not overload power strips and extension cords, as this can cause a fire hazard.

CARING FOR THIS PRODUCT

To ensure you receive the maximum benefit from using this product, please observe the following guidelines.

- **Do not clean any part of the product with benzene, thinner or other solvent chemicals** - this may cause permanent damage that is not covered by the guarantee. When necessary, clean it with a damp cloth.

- **Keep your product away from hot, humid conditions or strong sunlight.**
- **Every effort has been made to ensure the highest standards of reliability for your clock with remote motion sensor. However, if something does go wrong, please do not try to repair it yourself - consult your supplier.**
- **Do not use your product outdoors in the rain, or handle it with wet hands - water can damage electrical equipment.**

GETTING STARTED

PACKAGE CONTENTS

When you unpack your clock with remote motion sensor, make sure you keep all the packing materials in a safe place, in case you need to later transport the device or return it for servicing.

In the box, you will find:

- **Clock Unit**
- **Remote Motion Sensor**
- **4 x UM-3 / AA 1.5V Batteries for the Clock**
- **6V AC / DC Adaptor for the Clock**
- **3 x UM-3 / AA 1.5V Batteries for the Remote Motion Sensor**



BATTERIES

The clock uses:

- 4 x UM-3 / AA 1.5V batteries.

The motion sensor uses:

- 3 x UM-3 / AA 1.5V batteries.

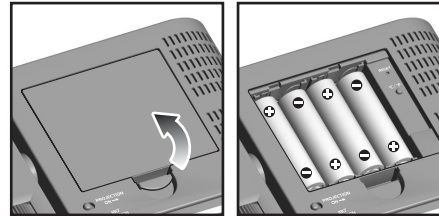
The optional wake-up vibration alarm **VR101A** (not included in the package) uses:

- 2 x UM-3 / AA 1.5V batteries.

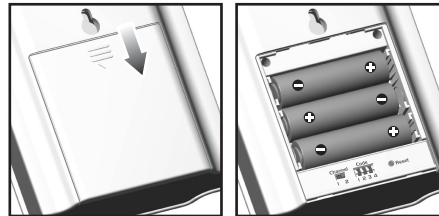
NOTE It is recommended that you use alkaline batteries with this product for longer performance.

To install the batteries, simply insert them making sure they match the correct polarities (+ and -). For best results, install batteries in the motion sensor before the clock. Press **RESET** after each battery change.

To install the clock batteries:




To install the motion sensor batteries:



NOTE Do not use rechargeable batteries for the clock or remote motion sensor.



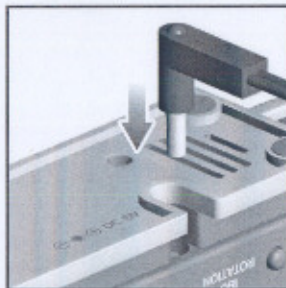
 shows on the clock display when batteries are low or when there are no batteries installed and only the adaptor is connected.

The LED indicator on the motion sensor and vibration alarm will flash in red when the batteries are low.

AC ADAPTOR

The clock / projector use 6V
clock AC adaptor (please refer to the instruction manual for the correct AC adaptor)
(the motion sensor is not included)

The clock AC adaptor socket is found on the bottom of the clock. The jack can be inserted into the socket as shown below:



The motion sensor jack can be inserted into the socket as shown below:



The motion sensor has a Power ON / OFF switch to help conserve energy. Turn the AC adaptor when using the motion sensor for long periods of time. The batteries are a good power source for back-up use.

ABOUT ATOMIC CLOCK RECEPTION

This clock can automatically synchronize the date and time with an official time-keeping organization in Boulder, Colorado. The unit can pick up an atomic clock signal when it is within 932 miles (1500km) of these locations. For more information on the Atomic Clock, please visit www.nist.gov





NOTE For best results, place the clock away from metal or electrical objects, and near a window with a clear view to the sky.

TURNING THE ATOMIC CLOCK SIGNAL ON / OFF

To turn the atomic clock signal reception ON:

- Press and hold the ▲ button for 2 seconds.
- The atomic clock reception icon will appear and flash on the display to indicate it is searching for the atomic clock signal.

Once batteries have been installed in the clock, the reception icon will flash to indicate it is searching for a signal.

When the reception signal has been received the reception icon will show the signal strength by displaying between 0 and 3 waves:



Strong Signal



Weak Signal



No Signal

To turn the atomic clock signal reception OFF:

- Press and hold the ▼ button for 2 seconds.
- The atomic clock reception icon will disappear from the display.

CLOCK / CALENDAR

CLOCK / CALENDAR DISPLAY

There are 3 types of clock display:

Calendar / Clock / Sec



Calendar / Clock / Day



Calendar / Clock / Offset



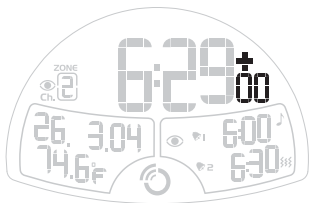
Press the **CLOCK** button to toggle between the 3 types of display.



SETTING THE CLOCK / CALENDAR

Before you can manually set the clock and calendar, you must specify the current time zone you live in and the time format (12- or 24-hour) as follows:

1. Press and hold the **CLOCK** button for 2 seconds. The time zone offset hour digits will flash. **The default setting will be -8 which stands for Pacific time. Select the following for different US time zones:**
 -7 : Mountain time
 -6 : Central time
 -5 : Eastern time



2. Enter the value by pressing the **▲** or **▼** buttons.
3. Confirm the entry by pressing the **CLOCK** button. The 12- or 24-hour display format will flash.
4. Repeat (2) and confirm the entry by pressing the **CLOCK** button.
5. Repeat the above procedures to set the hour, minute, year, MM / DD or DD / MM format, month, day and day of the week language.

6. Press **CLOCK ALARM** or **MOTION ALARM** to exit the Clock Setting Mode.

You can select 1 of the 5 following languages:

SYMBOL	LANGUAGE
£	English
Q	German
F	French
I	Italian
S	Spanish

BACKLIGHT

Press **SNOOZE / LIGHT** to activate the backlight for 5 seconds.

TEMPERATURE

To choose between °C / °F, press the **°C / °F** button to select the setting you want.



ALARM

ALARM DISPLAY

The melody and vibration alarm icons indicate the daily alarm settings. Any disabled alarm will show no melody or vibration alarm icons.



Alarm 1 (Melody)
Alarm 2 Disabled



Alarm 2 (Wake-Up)



Alarm 2 Melody
+ Wake-Up

SETTING THE ALARM(S)

1. Press and hold **CLOCK ALARM** for 2 seconds to enter the Alarm Setting Mode.
2. Alarm 1 will start flashing. Use the **▲** and **▼** buttons to toggle between alarm 1 and 2. Then press **CLOCK ALARM** to select alarm 1 or 2. The hour will start flashing.
3. Enter the value by pressing the **▲** or **▼** buttons.
4. Confirm the entry by pressing the **CLOCK ALARM** button and move on to the next setting.
5. Repeat (3 and 4) to set alarm 1 / alarm 2 - minute, melody alarm and / or vibration alarm (optional). If the melody alarm is selected, repeat (3 and 4) to select the melody / beep alarm sound and volume.
6. The daily alarm will be on automatically after setting.

Press **CLOCK** at any time to exit the Alarm Setting Mode.

ACTIVATING / DEACTIVATING THE ALARM(S)

- Press the **CLOCK ALARM** button to toggle between alarm 1 and alarm 2 ON / OFF.
- When the melody or vibration alarm icons appear on the display the alarm is activated. When the icons do not appear the alarm is deactivated.

ALARM SOUND

When activated, the alarm icon flashes, the backlight will come on for 8 seconds and the alarm melody or beep sound will play. If no key is pressed the alarm will play for 2 minutes.

NOTE See "**Setting the Alarm(s)**" section to choose the alarm melody / beep alarm and / or the vibration alarm.

SNOOZE / TURNING THE ALARM OFF

To silence the alarm:

- Press **SNOOZE / LIGHT** to silence it for 8 minutes. The alarm 1 or alarm 2 icon will flash to show snooze is enabled. Press and hold for 2 seconds to turn off snooze.

OR

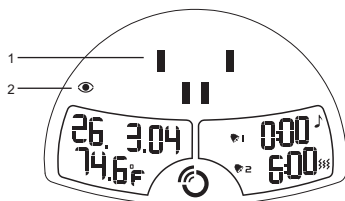
- Press any key except **SNOOZE / LIGHT** to mute the alarm and activate it again in 24 hours.

NOTE If no button is pressed, the alarm will automatically silence after 2 minutes. It will then sound again in 24 hours.

MOTION ALARM

MOTION ALARM SETTING DISPLAY

The motion sensor icon indicates the motion alarm setting.



1. Code icon
2. Motion Sensor icon

SETTING THE MOTION ALARM

The motion alarm has a security / monitoring function, whereby when the motion sensor detects movement, it sets off the clock alarm for 5 minutes and the backlight will turn on for 10 seconds. The clock will also show which sensor has been activated - Ch.1 or Ch.2 will appear in the top left hand corner of the display.

You can set the motion alarm to be activated over a set period of time i.e. during night time, by entering values next to the Start / Stop Hour in the process detailed below. However, it is important that you set the Code on the clock display to match the Code on the back of the motion sensor(s) so that the items can interact with each other. This process is also detailed below.

1. Press and hold **MOTION ALARM** for 2 seconds to enter the Motion Alarm Setting Mode.
2. The Code will start flashing. Use the ▲ and ▼ buttons to choose the same Code setting as that displayed on the back of the motion sensor. Then press **MOTION ALARM** to select your chosen option. The start hour digits will start flashing.
3. Enter the value by pressing the ▲ or ▼ buttons.
4. Confirm the entry by pressing the **MOTION ALARM** button and move on to the next setting.
5. Repeat (3 and 4) to set the stop hour, beep / melody and volume.
6. The motion alarm will be on automatically after setting.



25

Press **CLOCK** or **CLOCK ALARM** at any time to exit the Motion Alarm Setting Mode.

TURNING THE MOTION ALARM OFF

Press any button on the clock to turn the motion alarm off. It will sound again when the remote motion sensor unit detects a motion again.

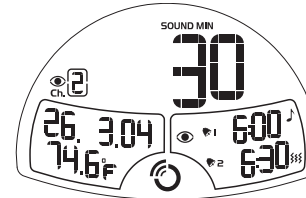
SLEEP TIMER

You can choose 1 of 6 soothing sounds to play for a set time while you fall asleep:

- Bird
- Wind
- River
- Raindrop
- Waterfall
- Ocean Wave

To set the sleep timer and soothing sound volume:

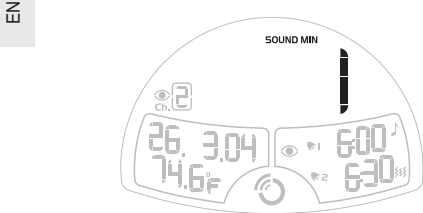
1. Press the **SOUND / SLEEP** button once. The soothing sound will turn on and the sleep timer will display the last setting.



2. Press the **SOUND / SLEEP** button to set the sleep timer to turn off after 120 → 90 → 60 → 30 → 15 → or 0 minutes. When 0 minutes is selected the soothing sound will automatically turn off after a few seconds.
3. Use the **▲** or **▼** buttons to change the soothing sound volume.
4. **SOUND** will flash on the LCD display to indicate that the sleep timer is activated.

To select the soothing sound:

1. Press and hold the **SOUND / SLEEP** button for 2 seconds when the soothing sound is on. The soothing sound number will flash.



- Use the ▲ or ▼ buttons to change the type of soothing sound.
- Press the **SOUND / SLEEP** button to confirm the setting.

PROJECTION UNIT

The projection unit can display both time and alarm status. To use this feature:

- Slide the **PROJECTION** switch to **ON** to activate continuous projection. However, this function will not work unless the AC / DC adaptor is used.
- Adjust the **FOCUS** knob to make the image clearer.
- Adjust the **IMAGE ROTATION** knob to rotate the image clockwise or anti-clockwise.
- Manually tilt the projection unit to position the image or press the **180° ROTATION** button to reverse the image and turn it upside down.

NOTE You can also press the **SNOOZE / LIGHT** button to project the time and alarm status for 5 seconds.

MOTION SENSOR (MSR939A)

The motion sensor has a security / monitoring function. It can set off your motion alarm on the clock for 5 minutes and turn the backlight on for 10 seconds when it detects movement.

Data can be collected from up to 2 sensors. Additional sensor sold separately.

SETUP SENSOR

- Slide the motion sensor battery door open.
- Insert the batteries, matching the polarity (+ and -) as shown in the battery compartment.

SWITCH	OPTION
Channel	Channel 1-2. If you are using more than one sensor, select a different channel for each sensor.

- Set the channel by sliding the **CHANNEL** switch to **1** or **2**. The switch is located in the battery compartment.
- Set the code by sliding the **CODE** switches to the same setting as the Code on the clock display. This enables the clock and motion sensor to interact with each other.



25

5. Press the **RESET** button. Close the motion sensor battery compartment.
6. Secure the sensor in the desired location using the wall mount or table stand.
7. Twist the motion sensor knob to direct the sensor to the position you want.
8. Slide the **POWER ON / OFF** switch to turn the motion sensor ON or OFF.
9. Slide the **ALARM SOUND ON / OFF** switch to ON to activate the alarm sound function. The motion sensor alarm will now sound for 20 seconds if it detects movement. Slide to OFF to deactivate this function.

NOTE Once it has power, the motion sensor takes 2 minutes to warm up.

For best results:

- Insert the batteries and select the channel before you mount the sensor.
- Place the sensor out of direct sunlight and moisture.
- Do not place the sensor more than 98 feet (30 meters) from the main (indoor) unit.
- Position the sensor so that it faces the main (indoor) unit, minimizing obstructions such as doors, walls, and furniture.
- Place the sensor in a location with a clear view to the sky, away from metallic or electronic objects.

You may need to experiment with various locations to get the best results.

WAKE-UP VIBRATION ALARM - VR101A (OPTIONAL)

The vibrating alarm receives a signal from the clock and performs a wake-up function by vibrating. It is designed to go under your pillow.

The device has a range of roughly **50 feet** and has an LED **indicator** to show data transmission and battery level.

The switch within the vibrating alarm can adjust to alarm 1 or alarm 2, or both. Simply select the alarm time on the clock unit when you want the vibrating alarm to wake you up.

NOTE The vibrating alarm is powered by 2 x UM-3 / AA 1.5V batteries (included). It is also compatible with rechargeable batteries (not included).

RESETTING THE CLOCK

Insert a thin blunt instrument into the hole below **RESET** to return to the default settings.

The default settings are:

Clock Time:	12.00 PM
Date:	1 st January 2004
Time Offset:	-8 (Pacific Time)
Alarm 1 and 2 Time:	6.00 AM
Alarm Melody:	#1 with low volume
Daily Alarms:	Disabled
Motion Alarm Start Time:	12.00 AM
Motion Alarm Stop Time:	6.00 AM
Motion Alarm:	Disabled
Display Setting:	12hr, MM / DD, °F

WARNINGS

This product is designed to give you years of service if handled properly. Oregon Scientific will not be responsible for any deviations in the usage of the device from those specified in the user instructions or any unapproved alterations or repairs of the product. Observe the following guidelines:

- **Never immerse the product in water. This can cause electrical shock and damage the product.**
- **Do not subject the product to extreme force, shock, or fluctuations in temperature or humidity.**

- **Do not tamper with the internal components.**
- **Do not mix new and old batteries or batteries of different types.**
- **Do not use rechargeable batteries with this product.**
- **Remove the batteries if storing this product for a long period of time.**
- **Do not scratch the LCD display.**

NOTE The technical specification of this product and contents of this user manual are subject to change without notice. Images not drawn to scale.

TROUBLESHOOTING

PROBLEM	SYMPTOM	REMEDY
Clock time is not correctly set.	No atomic clock signal reception.	Place the clock far away from PCs, phones, and other electronic equipment and near a windowsill. Wait for at least 24 hours.
No alarm.	Alarm does not sound.	Turn on the alarm setting.



PROBLEM	SYMPTOM	REMEDY
Operation not normal.	Certain functions do not perform.	Reset the clock and the motion sensor.
Calendar.	Strange day.	Check it is set to your own language.
Clock.	Cannot change clock.	Disable the atomic clock signal and set manually.
Clock / Calendar.	Cannot auto-synchronize the clock.	1. Adjust batteries. 2. Press RESET on the clock and motion sensor.
Temperature.	Shows "LLL" or "HHH".	Temperature is out of range.
Motion Sensor.	Does not give out alarm sound.	1. Adjust batteries 2. Check POWER ON / OFF switch is set to ON . 3. Check ALARM SOUND switch is set to ON .

PROBLEM	SYMPTOM	REMEDY
Motion Sensor.	Does not activate the motion alarm on the clock.	1. Adjust batteries 2. Check POWER ON / OFF switch is set to ON . 3. Check the CODE switch on the motion sensor matches the clock code display.

TECHNICAL SPECIFICATIONS

TYPE	DESCRIPTION
Main Unit Dimensions	
L x W x H	6.34 x 1.18 x 4.06 inches (161 x 30 x 103 mm)
Weight (without battery)	0.59 lbs (268 g)
Remote Motion Sensor Dimensions	
L x W x H	3.46 x 1.69 x 4.41 inches (88 x 43 x 112 mm)
Weight (without battery)	0.31 lbs (140 g)



TYPE	DESCRIPTION
Temperature	
Unit	°F / °C
Operating Range	32°F to +122°F (0°C to +50°C)
Indoor Range	23°F to +122°F (-5°C to +50°C)
Resolution	0.2°F (0.1°C)
Main Unit Atomic Frequency	
Atomic Clock Frequency System	WWVB60
Synchronization	Auto or disabled
RF Frequency	433 MHz
Reception Range	98 feet (30 meters) with no obstructions
Remote Unit	
Motion Sensor Coverage Distance	Approx. 16 feet (5 meters)
Motion Sensor Warm-Up Time	Approx. 2 minutes after power-on
Main Unit Display	
Clock	HH:MM:SS HH:MM:Day of week HH:MM:Time zone hour offset



TYPE	DESCRIPTION
Hour Format	12hr AM / PM or 24hr
Calendar	DD / MM or MM / DD, user selectable. Weekday selection in 5 languages (E, D, F, I, S)
Alarm	Daily dual alarm <ul style="list-style-type: none"> • 2-minute crescendo • 8-minute snooze
	Motion Alarm <ul style="list-style-type: none"> • Sounds for 5 minutes
Power	
Main Unit	4 x UM-3 (AA) 1.5V batteries or 6V AC adaptor
Remote Motion Sensor Unit	3 x UM-3 (AA) 1.5V batteries

NOTE It is recommended that you use alkaline batteries with this product for longer performance.

NOTE Design and specifications are subject to change without notice.





NOTICES

STATEMENT OF RESPONSIBILITY

Oregon Scientific will not be held liable for any bodily injury, death, property damages, or any other claims of whatever nature resulting from the misuse or negligence of the product, whether intentional or unintentional.

Oregon Scientific will not be responsible for any deviations in the usage of the device from those specified in the user instructions or any approved alternations or repairs of the product.

ABOUT OREGON SCIENTIFIC

Visit our website (www.oregonscientific.com) to learn more about Oregon Scientific products such as digital cameras; MP3 players; children's electronic learning products and games; projection clocks; health and fitness gear; weather stations; and digital and conference phones. The website also includes contact information for our customer care department in case you need to reach us, as well as frequently asked questions and customer downloads.

We hope you will find all the information you need on our website, however if you'd like to contact the Oregon Scientific Customer Care department directly, please visit:

www2.oregonscientific.com/service/support

OR

Call 949-608-2848 in the US.

For international enquiries, please visit:

www2.oregonscientific.com/about/international/default.asp



EN

FCC STATEMENT

This device complies with Part 15 of the FCC Rules. Operation is subject to the following two conditions:
(1) This device may not cause harmful interference, and
(2) This device must accept any interference received, including interference that may cause undesired operation.

WARNING Changes or modifications to this unit not expressly approved by the party responsible for compliance could void the user's authority to operate the equipment.

NOTE This equipment has been tested and found to comply with the limits for a Class B digital device, pursuant to Part 15 of the FCC Rules. These limits are designed to provide reasonable protection against harmful interference in a residential installation.

This equipment generates, uses and can radiate radio frequency energy and, if not installed and used in accordance with the instructions, may cause harmful interference to radio communications. However, there is no guarantee that interference will not occur in a particular installation. If this equipment does cause harmful interference to radio or television reception, which can be determined by turning the equipment off and on, the user is encouraged to try to correct the interference by one or more of the following measures:

- Reorient or relocate the receiving antenna.
- Increase the separation between the equipment and receiver.
- Connect the equipment into an outlet on a circuit different from that to which the receiver is connected.
- Consult the dealer or an experienced radio / TV technician for help.



25

DECLARATION OF CONFORMITY

The following information is not to be used as contact for support or sales. Please call our customer service number (listed on our website at www.oregonscientific.com), or on the warranty card for this product) for all inquiries instead.

is in conformity with Part 15 of the FCC Rules. Operation is subject to the following two conditions:

1. This device may not cause harmful interference.
2. This device must accept any interference received, including interference that may cause undesired operation.

We

Name: Oregon Scientific, Inc.
 Address: 19861 SW 95th Place, Tualatin,
 Oregon 97062 USA
 Telephone No.: 1-800-853-8883
 Fax No.: 1-503-684-3332

declare that the product

Product No.: RMR939PA
 Product Name: POLERMO Projection Clock with
 Motion Alert
 Manufacturer: IDT Technology Limited
 Address: Block C, 9/F, Kaiser Estate,
 Phase 1, 41 Man Yue St.,
 Hung Hom, Kowloon,
 Hong Kong



© 2004 Oregon Scientific. All rights reserved.
P/N: 000-000000-000

