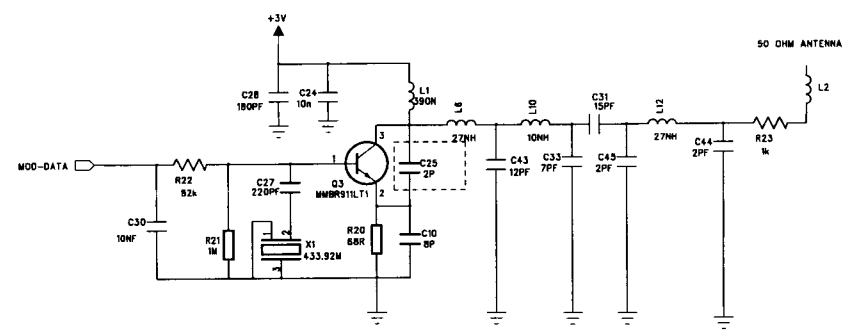


ISSUE	REVISION	DATE	MADE BY	APPROVED BY
1.0	FIRST REL FOR PRODUCTION	JUL/02/04	Y.CH	WILSON L



TITLE		SCHEMATIC DIAGRAM	
DOC NO.	LS01001	DIVISION	L C D
MODEL NO.	RM939PA	DRAWN	Y.CH
CAD REF.	RM939PA.SCH	CHKD	WILSON L
PAGE	6 OF 7	APPD.	WILSON L

6

5

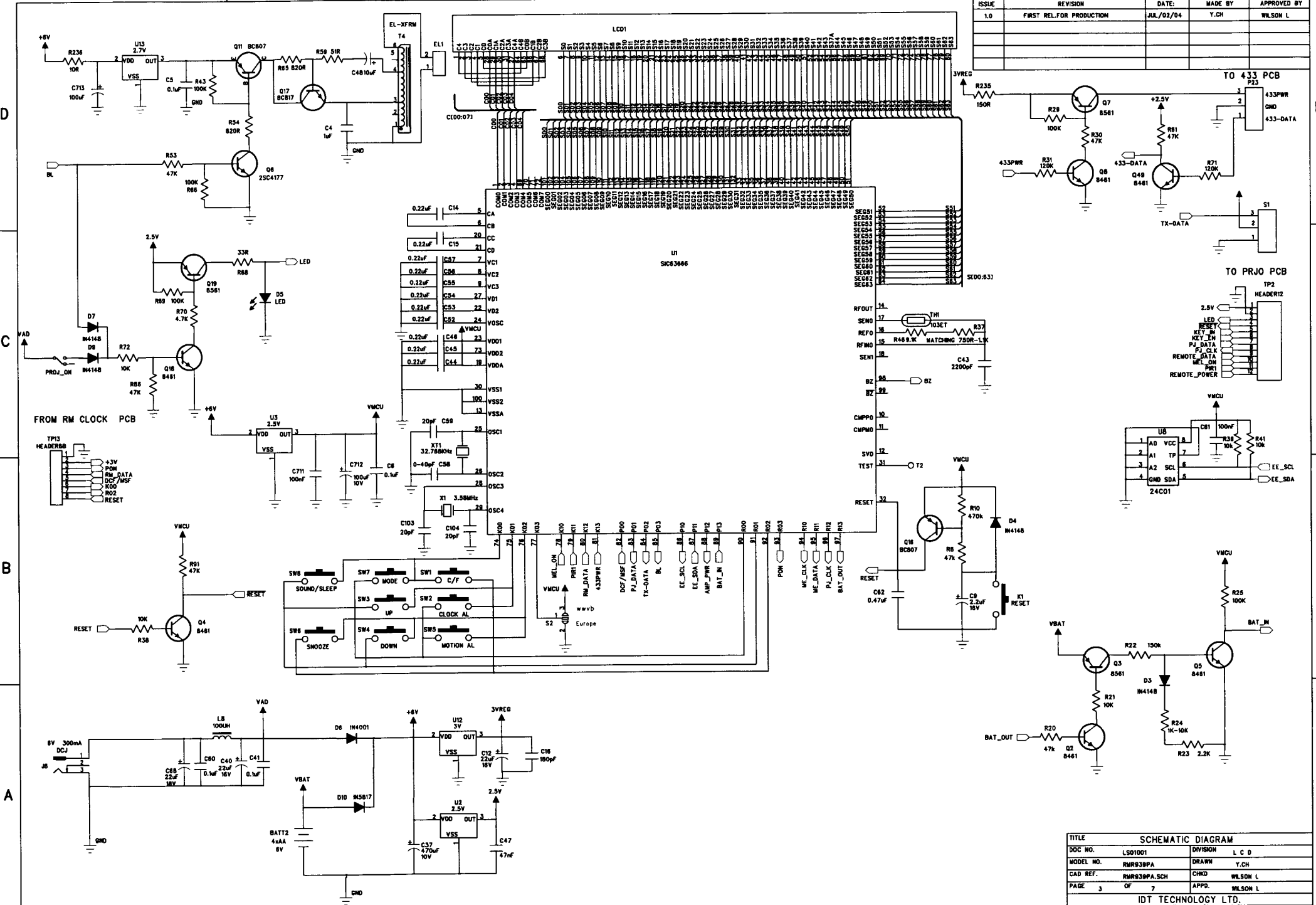
4

3

2

1

ISSUE	REVISION	DATE	MADE BY	APPROVED BY
1.0	FIRST REL FOR PRODUCTION	JUL/02/04	Y.CH	WILSON L

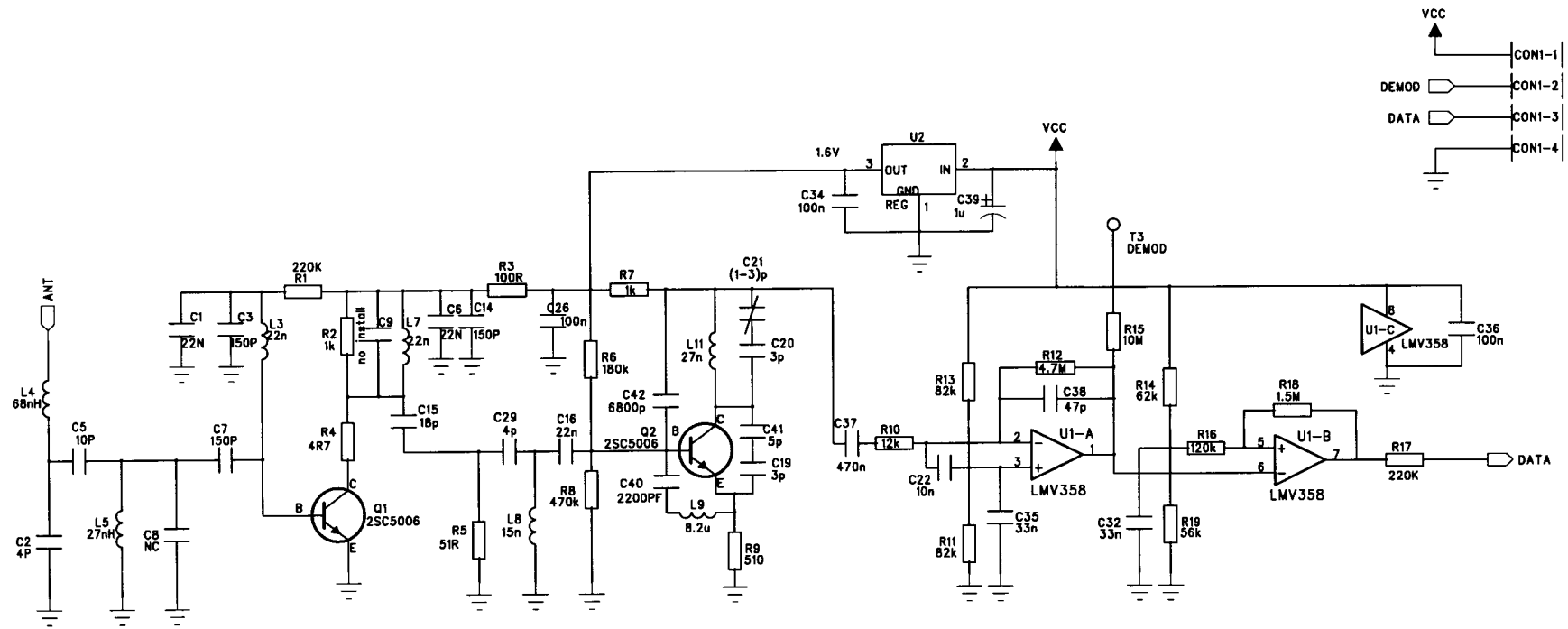


TITLE			
DOC NO.	LS01001	DRWNSN	L C D
MODEL NO.	RM938PA	DRAWN	Y.CH
CAD REF.	RM938PA.SCH	CHKD	WILSON L
PAGE	3 OF 7	APPD.	WILSON L

IDT TECHNOLOGY LTD.

LCD-PDD-021-A

ISSUE	REVISION	DATE:	MADE BY	APPROVED BY
1.0	FIRST ISSUE	JUL/02/04	Y.CH	Wilson L



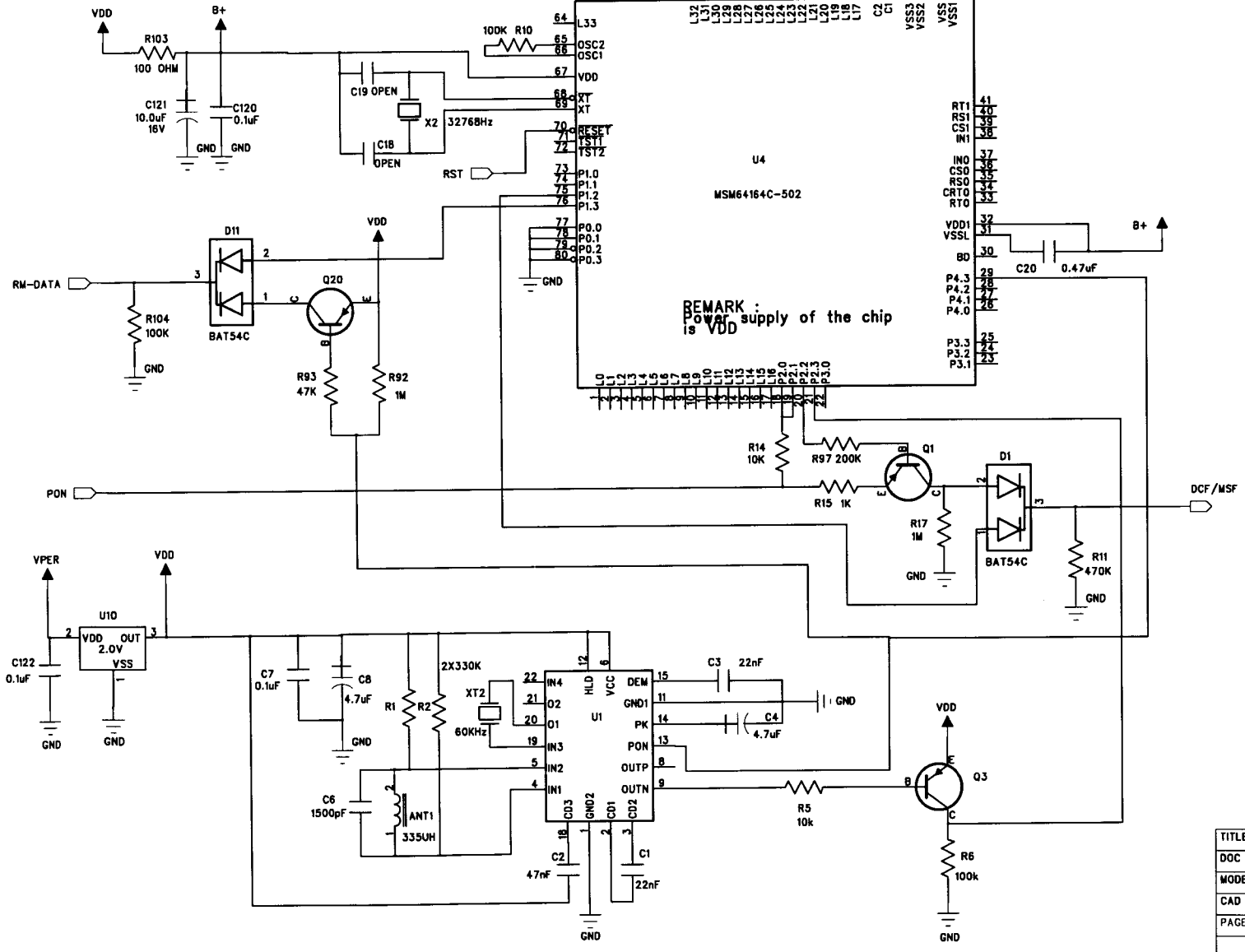
UHF RECEIVER

SCHEMATIC DIAGRAM

DOC NO.	LS01001	DIVISION	LCD
MODEL NO.	RMR939PA	DRAWN	Y.CH
CAD REF.	RMR939PA.LS	CHECKED	WILSON L
PAGE	4	OF	7
APPROVED	WILSON L		
IDT TECHNOLOGY LTD.			

RM CLOCK RECEIVE PART

ISSUE	REVISION	DATE:	MADE BY	APPROVED BY
1.0	FIRST ISSUE	JULY 8 04	Y.CH	WILSON L



REMARK :
power supply of the chip
is VDD

TITLE		SCHEMATIC DIAGRAM	
DOC NO.	LS01001	DIVISION	L C D
MODEL NO.	RMR939PA	DRAWN	Y.CH
CAD REF.		CHKD	WILSON L
PAGE	7 OF 7	APPD.	WILSON L
IDT TECHNOLOGY LTD.			

6

5

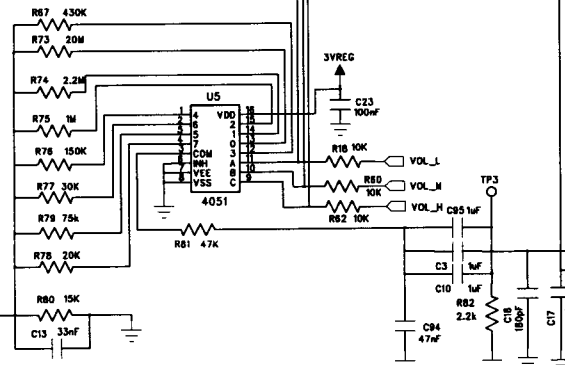
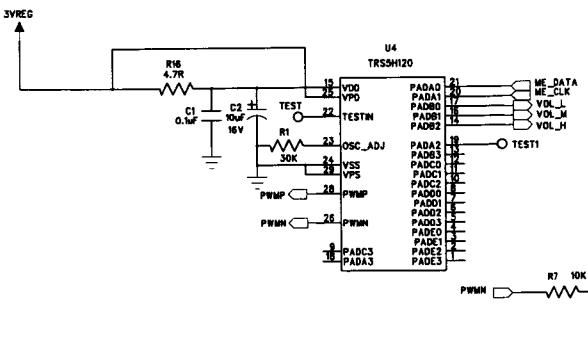
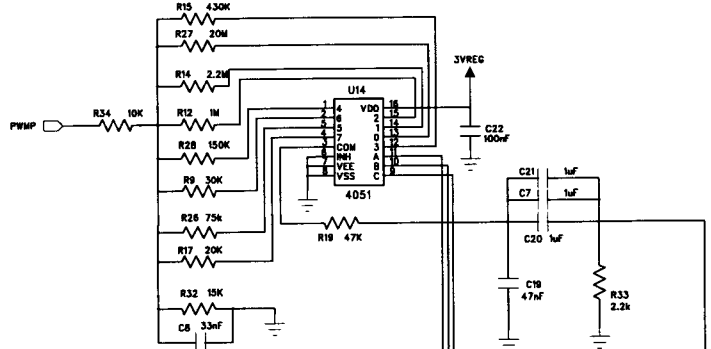
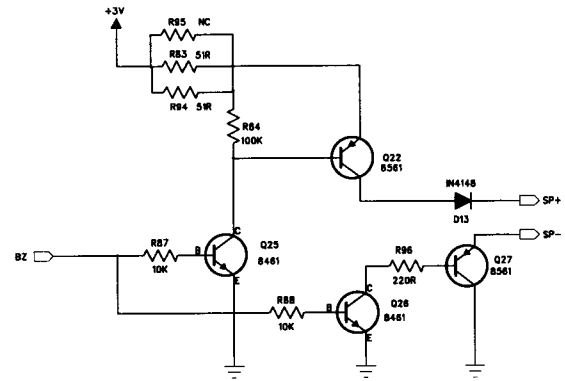
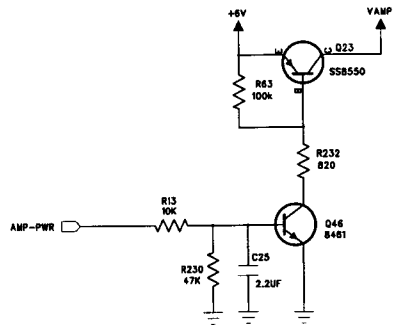
4

3

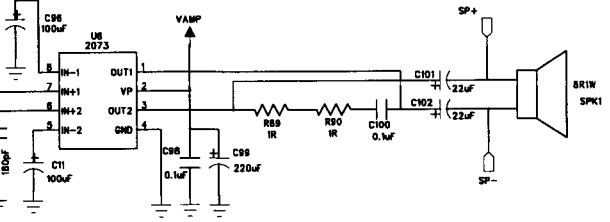
2

1

ISSUE	REVISION	DATE:	MADE BY	APPROVED BY
1.0	FIRST REL.FOR PRODUCTION	JUL/02/04	Y.CH	WILSON L

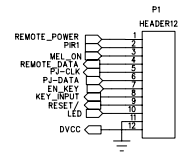
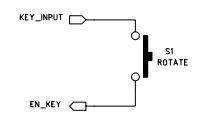
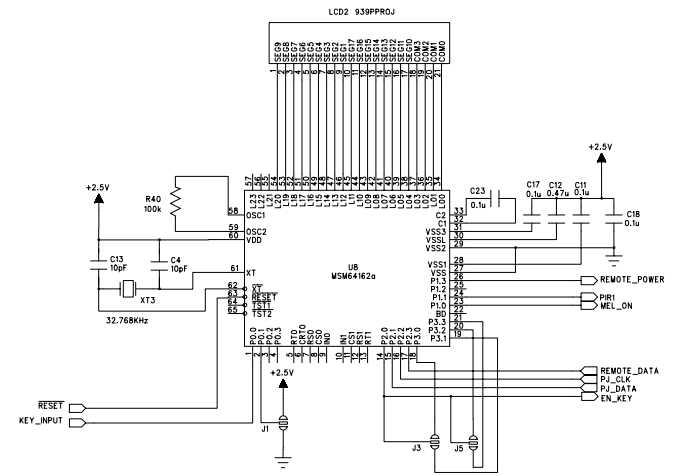


POWER AMP CIRCUIT PART



TITLE: SCHEMATIC DIAGRAM				
DOC NO.	LS01001	DIVISION:	L C D	
MODEL NO.	RMR939PA	DRAWN:	Y.CH	
CAD REF.:	RMR939PA.SCH	CHKD:	WILSON L	
PAGE:	2	OF	7	APPD.: WILSON L
IDT TECHNOLOGY LTD.				

ISSUE	REVISION	DATE:	MADE BY	APPROVED BY
1.0	FIRST REL FOR PRODUCTION	SEP/03/04	Y.CH	WILSON L



TITLE	SCHEMATIC DIAGRAM	
DOC NO.	LS01001	DIVISION L C D
MODEL NO.	DMR939PA	DRAWN Y.CH
CAD REF.	DMR939PA.SCH	CHKD WILSON L
PAGE	5 OF 7	APPD. WILSON L