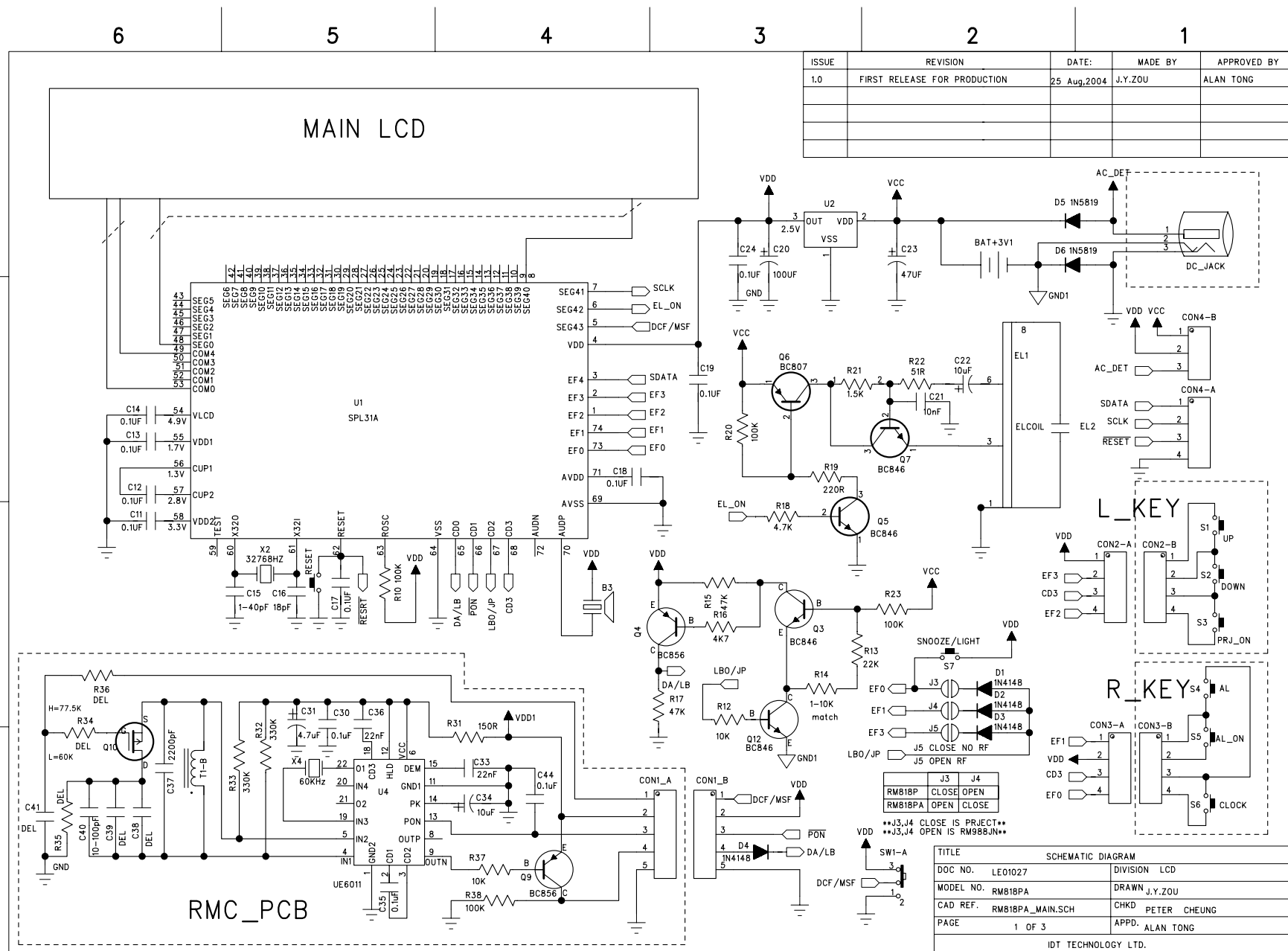


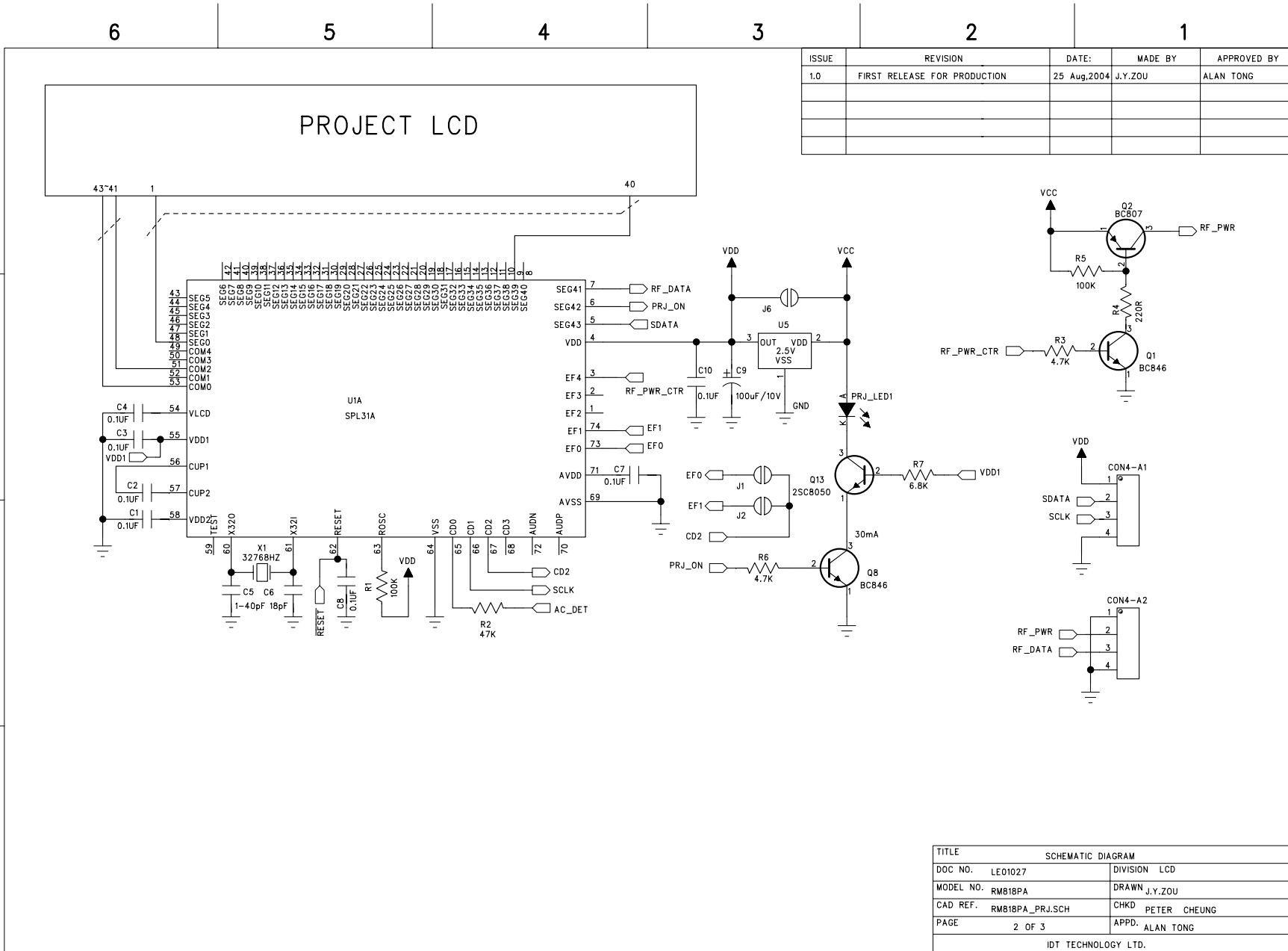
ISSUE	REVISION	DATE:	MADE BY	APPROVED BY
1.0	FIRST RELEASE FOR PRODUCTION	25 Aug,2004	J.Y.ZOU	ALAN TONG



	J3	J4
RM818P	CLOSE	OPEN
RM818PA	OPEN	CLOSE

\*\*J3,J4 CLOSE IS PRJCT\*\*  
 \*\*J3,J4 OPEN IS RM818JN\*\*

TITLE		SCHEMATIC DIAGRAM	
DOC NO.	LE01027	DIVISION	LCD
MODEL NO.	RM818PA	DRAWN	J.Y.ZOU
CAD REF.	RM818PA_MAIN.SCH	CHKD	PETER CHEUNG
PAGE	1 OF 3	APPD.	ALAN TONG
IDT TECHNOLOGY LTD.			



ISSUE	REVISION	DATE:	MADE BY	APPROVED BY
1.0	FIRST RELEASE FOR PRODUCTION	25 Aug,2004	J.Y.ZOU	ALAN TONG

TITLE		SCHEMATIC DIAGRAM	
DOC NO.	LE01027	DIVISION	LCD
MODEL NO.	RM818PA	DRAWN	J.Y.ZOU
CAD REF.	RM818PA_PRJ.SCH	CHKD	PETER CHEUNG
PAGE	2 OF 3	APPD.	ALAN TONG
IDT TECHNOLOGY LTD.			

6

5

4

3

2

1

ISSUE	REVISION	DATE:	MADE BY	APPROVED BY
1.0	FIRST RELEASE FOR PRODUCTION	25 Aug,04	JY.ZOU	ALAN TONG

D

D

C

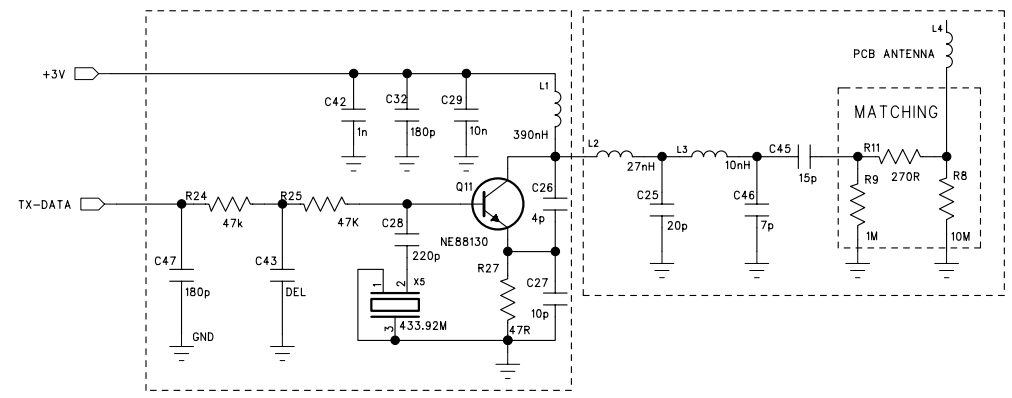
C

B

B

A

A



UHF TRANSMITTER

TITLE			
SCHEMATIC DIAGRAM			
DOC NO.	LS01027	DIVISION	L C D
MODEL NO.	RM818PA	DRAWN	J.Y.ZOU
CAD REF.	433TX.SCH	CHKD	PETER CHEUNG
PAGE	3	OF	3
		APPD.	ALAN TONG
IDT TECHNOLOGY LTD.			