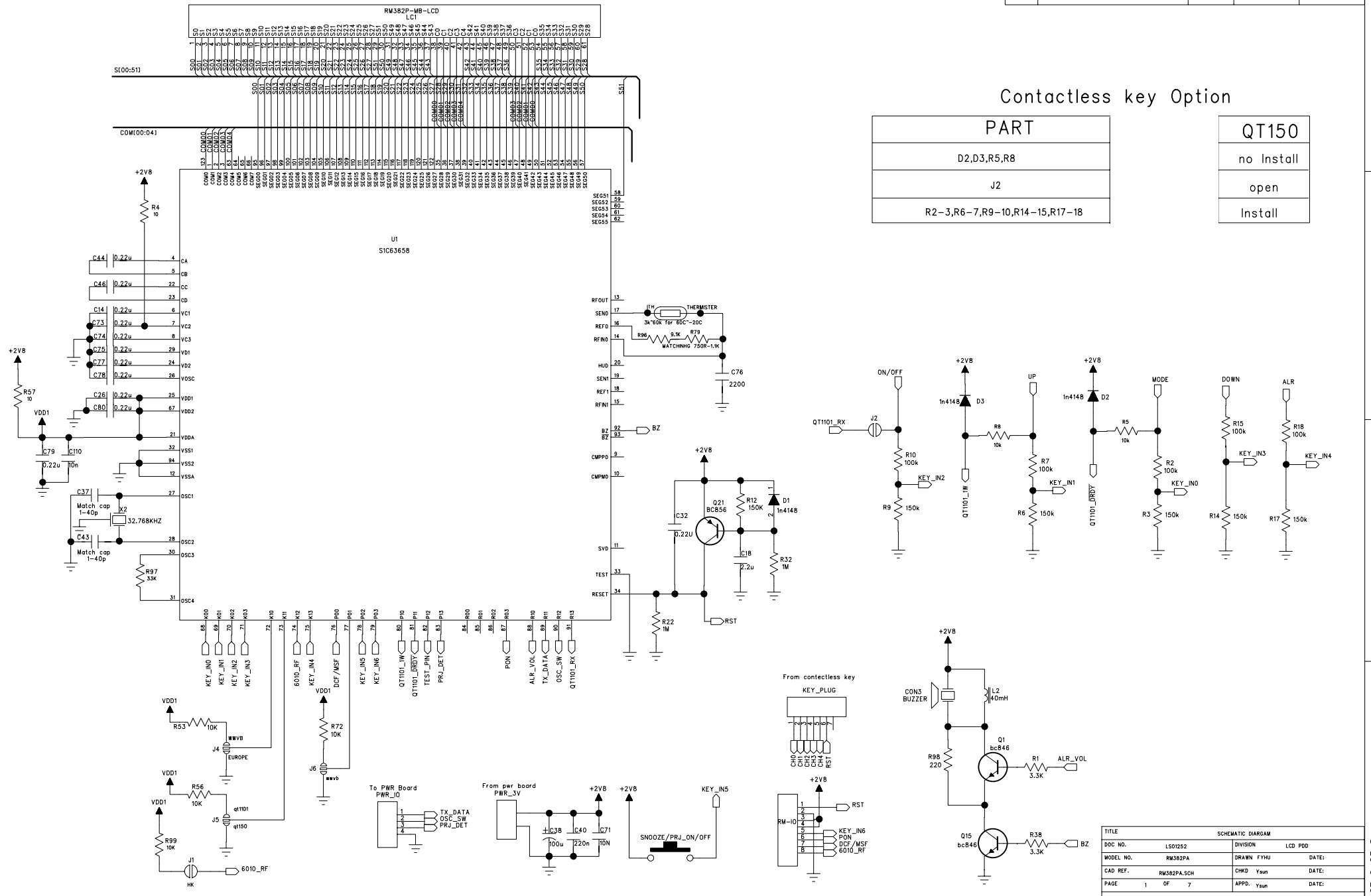


ISSUE	REVISION	DATE:	MADE BY	APPROVED BY
1.0	FIRST RELEASE	8-Feb-06	FYHU	Ysun

Contactless key Option

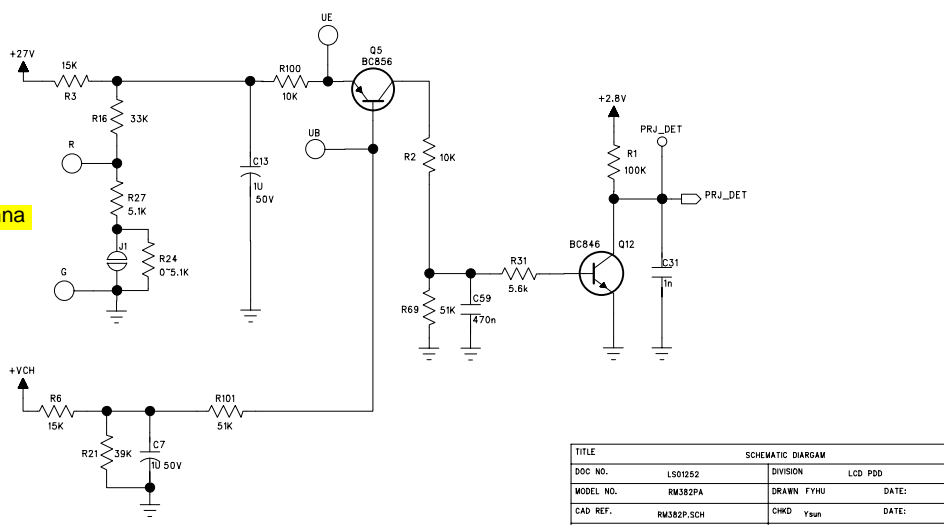
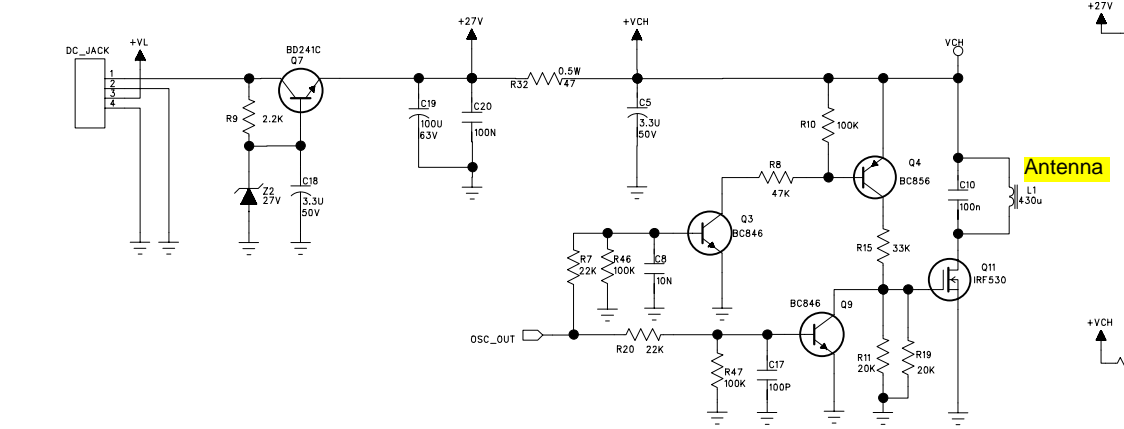
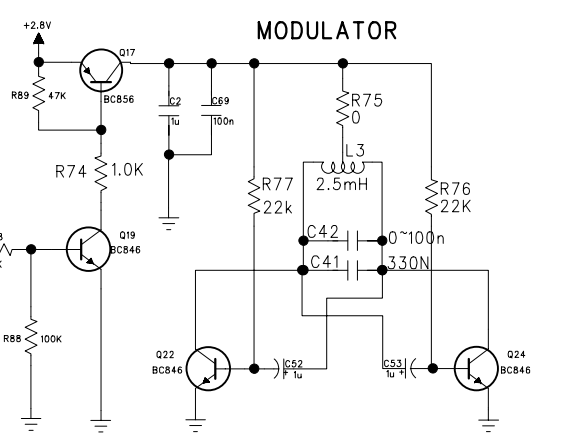
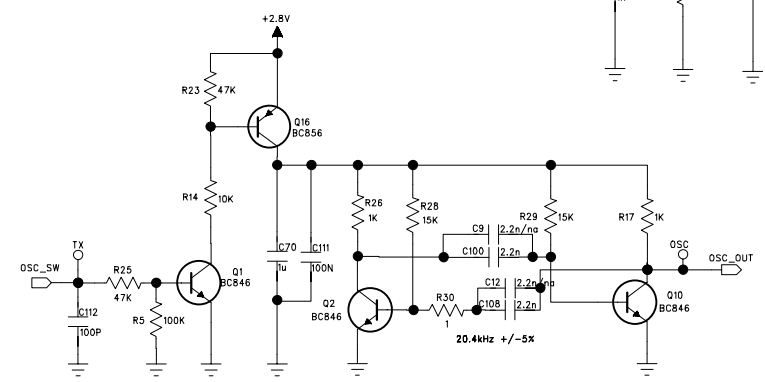
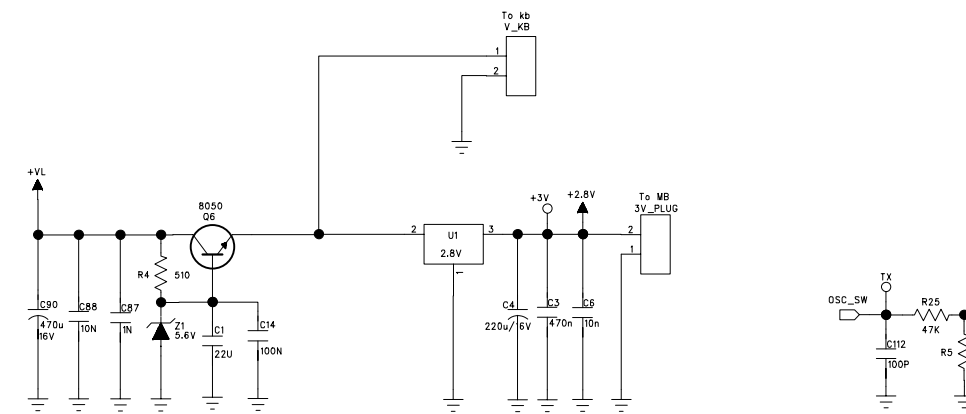
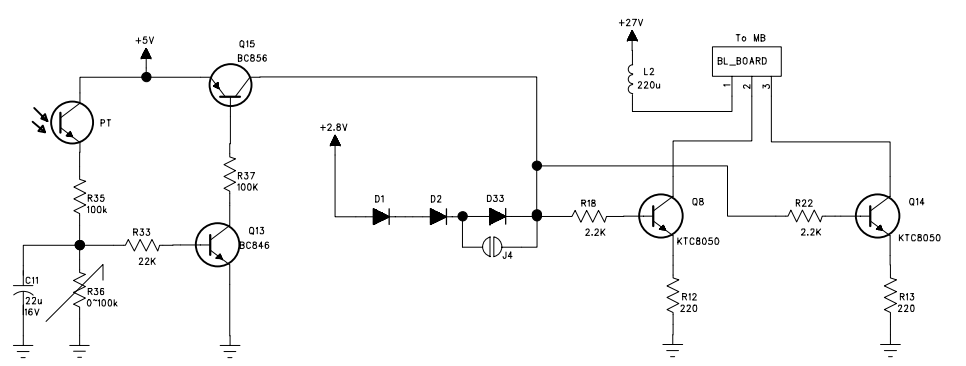
PART
D2,D3,R5,R8
J2
R2-3,R6-7,R9-10,R14-15,R17-18

QT150
no Install
open
Install



TITLE		SCHEMATIC DIAGRAM	
DOC NO.	LS01282	DIVISION	LCD PDD
MODEL NO.	RM382PA	DRAWN	FYHU
CAD REF.	RM382PA.SCH	CHKD	Ysun
PAGE	1 OF 7	APPD.	Ysun
		DATE:	
IDT TECHNOLOGY LTD.			

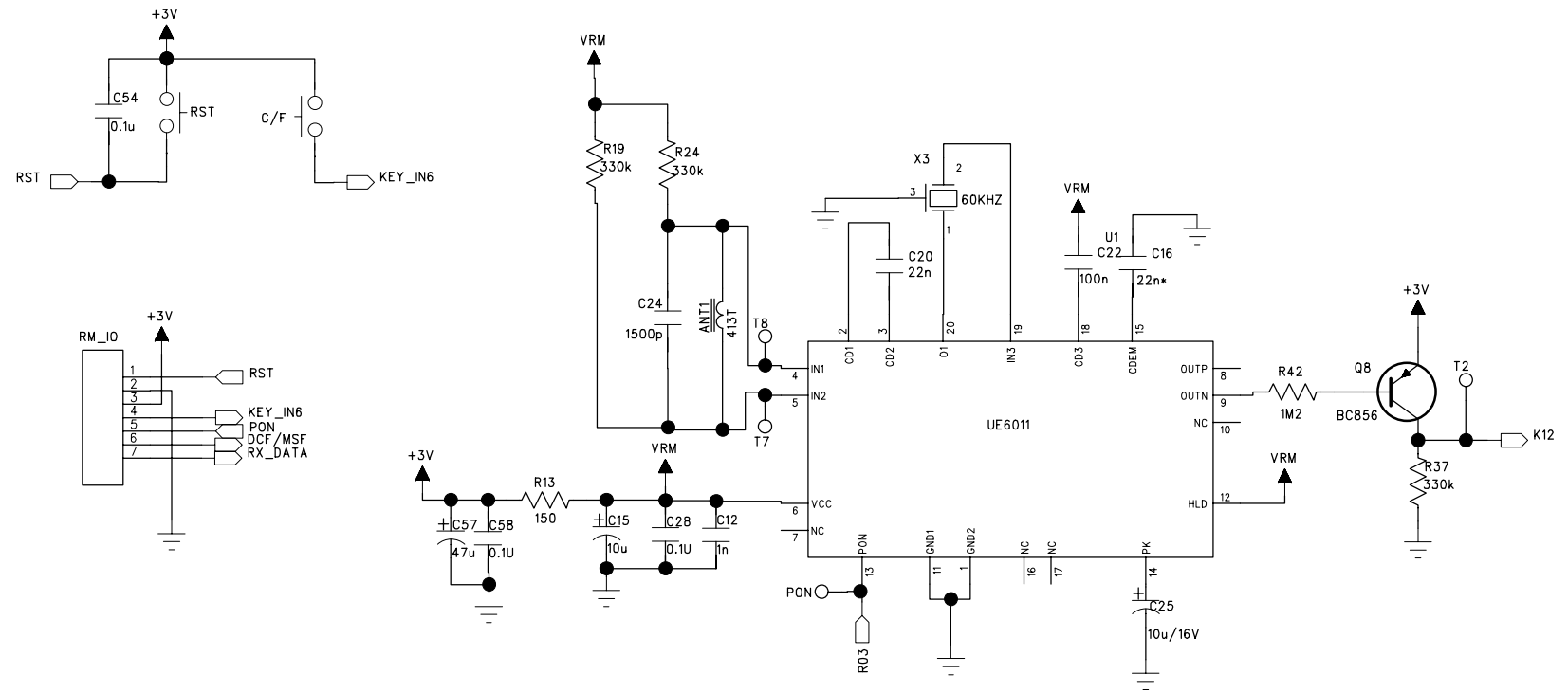
ISSUE	REVISION	DATE:	MADE BY	APPROVED BY
1.0	FIRST RELEASE	8-Feb-06	FYHU	Ysun



TITLE		SCHEMATIC DIAGRAM	
DOC NO.	LS01252	DIVISION	LCD PDD
MODEL NO.	RM382PA	DRAWN	FYHU
CAD REF.	RM382P.SCH	CHKD	Ysun
PAGE	2 OF 7	APPD.	Ysun
IDT TECHNOLOGY LTD.			

6 5 4 3 2 1

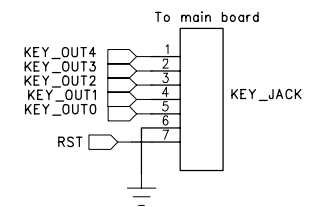
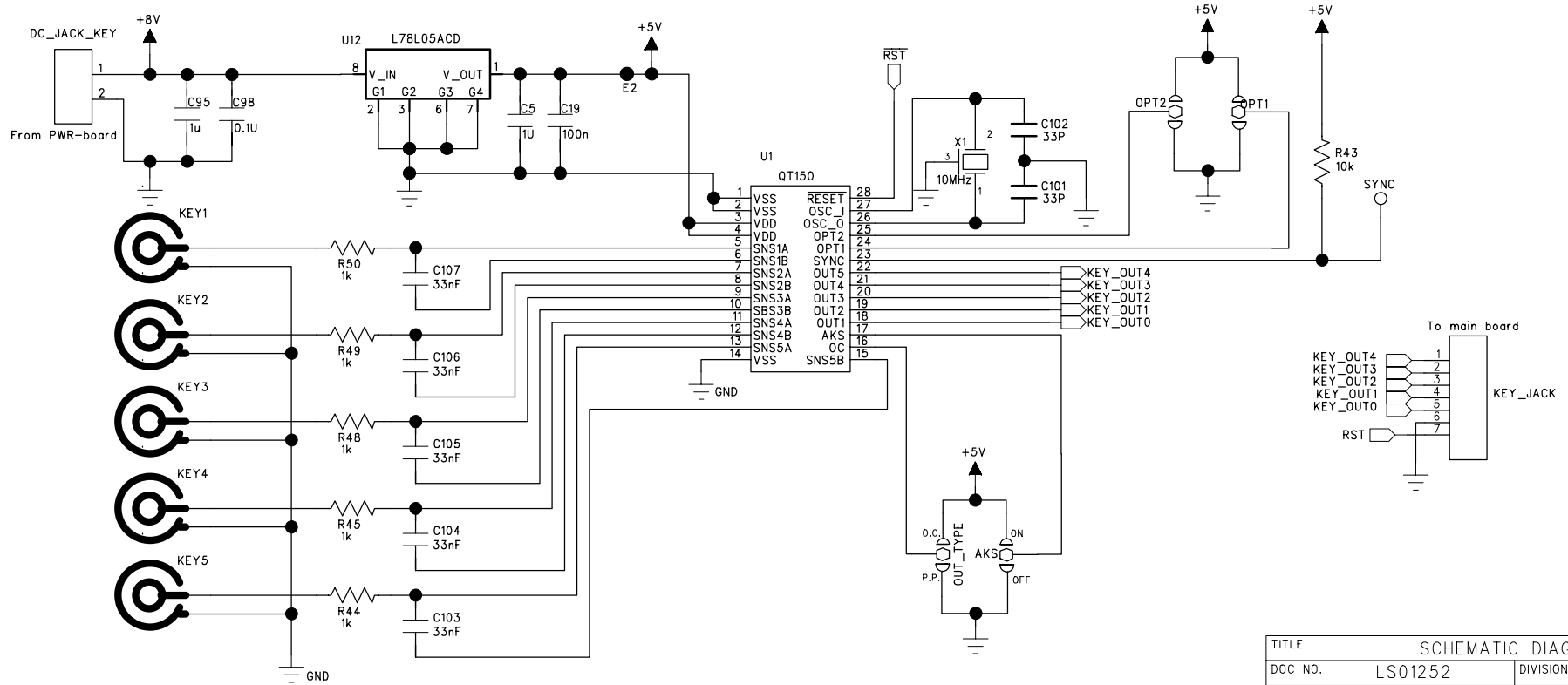
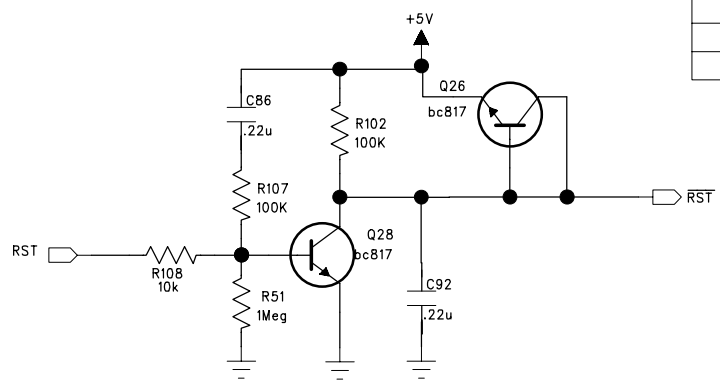
ISSUE	REVISION	DATE:	MADE BY	APPROVED BY
1.0	FIRST RELEASE FOR PRODUCTION	8-Feb-06	FYHU	Ysun



TITLE			
SCHEMATIC DIAGRAM			
DOC NO.	LS01252	DIVISION	L C D
MODEL NO.	RM382PA	DRAWN	FYHU DATE:
CAD REF.	RM382PA.SCH	CHKD	Ysun DATE:
PAGE	3 OF 7	APPD.	Ysun DATE:
IDT TECHNOLOGY LTD.			

6 5 4 3 2 1

ISSUE	REVISION	DATE:	MADE BY	APPROVED BY
1.0	FIRST RELEASE FOR PRODUCTION	Mar-25-06	FYHU	Ysun



TITLE			
SCHEMATIC DIAGRAM			
DOC NO.	LS01252	DIVISION	L C D
MODEL NO.	RM382PA	DRAWN	FYHU DATE:
CAD REF.	RM382PA.SCH	CHKD	Ysun DATE:
PAGE	4 OF 7	APPD.	Ysun DATE:
IDT TECHNOLOGY LTD.			