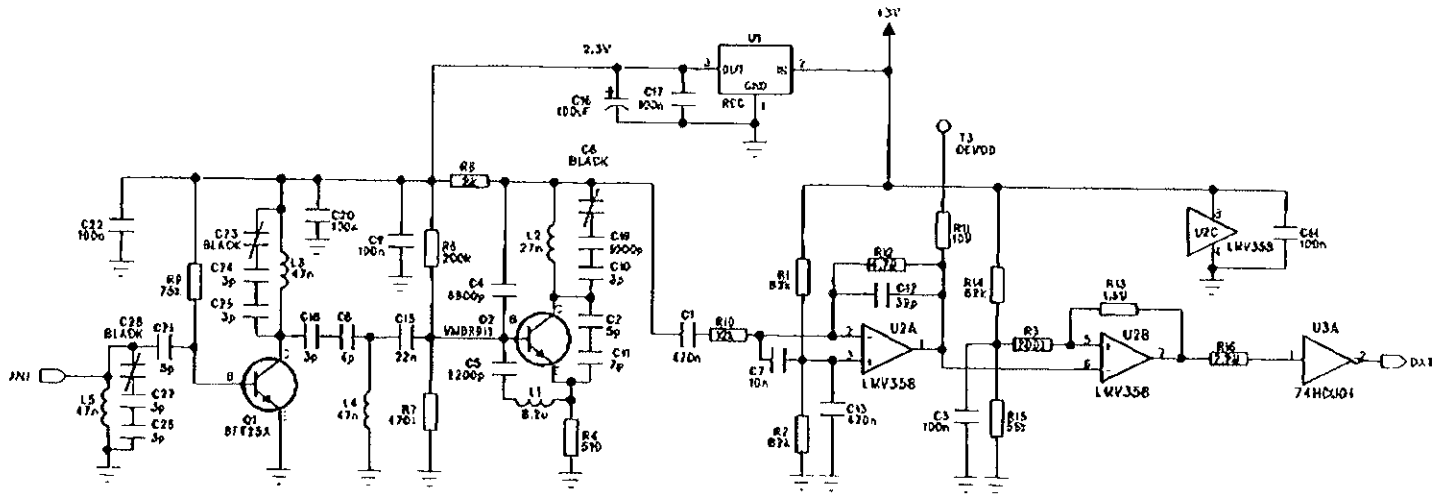


LCU-PDD-022-A

| TITLE | | | |
|---------------------|--------------|---------|------------|
| DOC NO. | LS00469 | VERSION | L C D |
| VDDET NO. | RGR122 | DRAWN | H.J.HUANG |
| CAD REF. | RGR12201.SCH | CHKD | KEVIN TSUI |
| PAGE | 1 OF 2 | APPD. | MIKE SZL |
| IDT TECHNOLOGY LTD. | | | |

| ISSUE | REVISION | DATE | CREATED BY | APPROVED BY |
|-------|--------------------------------|-----------|--------------|-------------|
| 2.00 | RELEASE FOR SAMPLE EVALUATIONS | 25 AUG 98 | DENNIS CHENG | |
| | | | | |
| | | | | |
| | | | | |



UHF RECEIVER

| TITLE | | | |
|---------------------|--------------|----------|--------------|
| DSE NO. | LS00XX | DIVISION | L C D |
| WDRW NO. | RGR122 | DRWEN | DENNIS CHENG |
| CAD REF. | RGR122RX.SCH | CARD | NIKE SZE |
| PAGE | 2 | OF | 2 |
| APPR. MKE SZE | | | |
| IDT TECHNOLOGY LTD. | | | |