

6

5

4

3

2

1

ISSUE	REVISION	DATE:	MADE BY	APPROVED BY
1.0	FIRST RELEASE FOR PRODUCTION	NOV/12/03	D.R.ZHOU	RAYMOND WONG

D

D

C

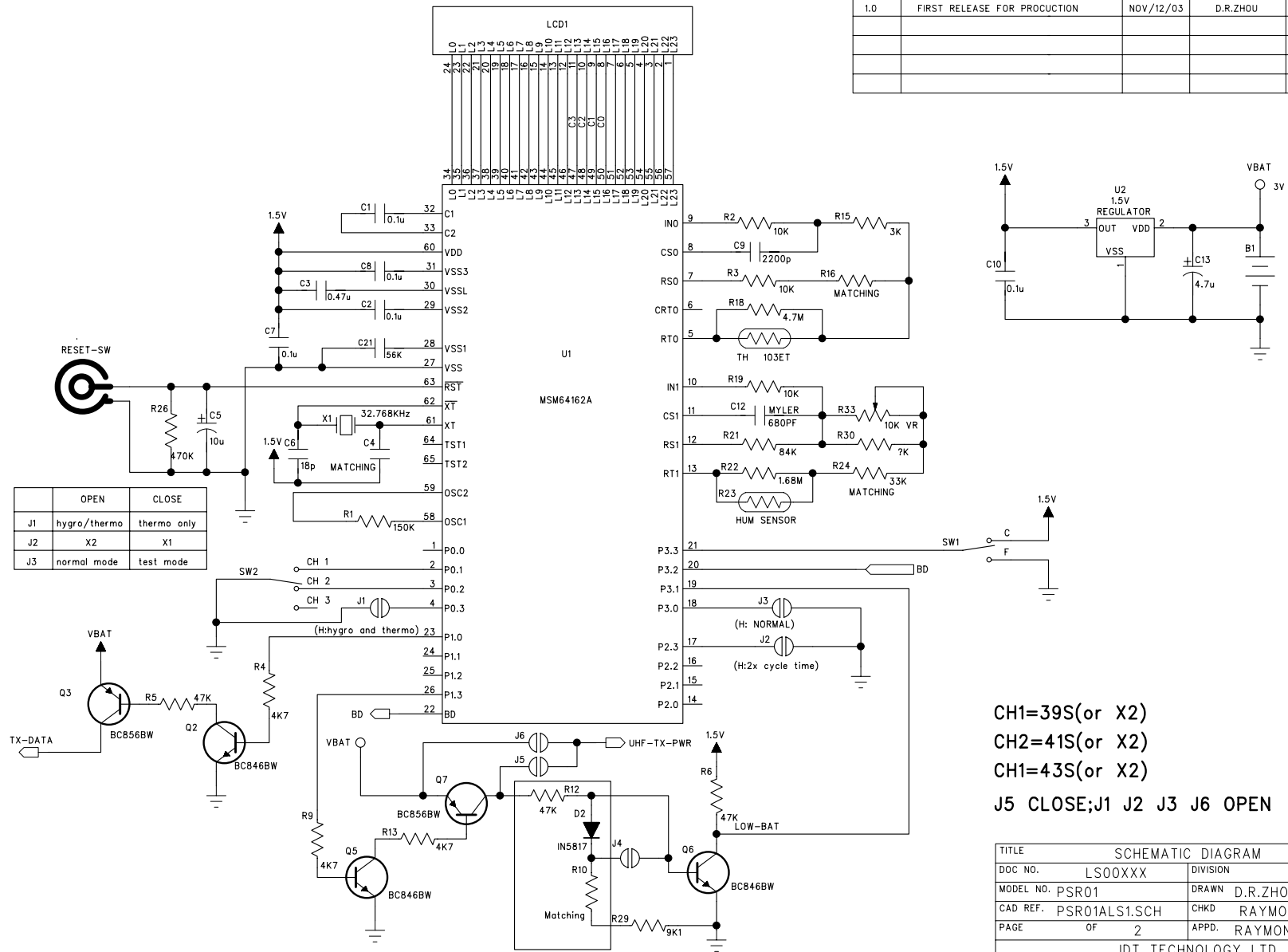
C

B

B

A

A



CH1=39S(or X2)
 CH2=41S(or X2)
 CH1=43S(or X2)
 J5 CLOSE; J1 J2 J3 J6 OPEN

TITLE		SCHEMATIC DIAGRAM	
DOC NO.	LS00XXX	DIVISION	L C D
MODEL NO.	PSR01	DRAWN	D.R.ZHOU
CAD REF.	PSR01ALS1.SCH	CHKD	RAYMOND WONG
PAGE	OF 2	APPD.	RAYMOND WONG
IDT TECHNOLOGY LTD.			

6

5

4

3

2

1

ISSUE	REVISION	DATE:	MADE BY	APPROVED BY
1.0	FIRST RELEASE FOR PRODUCTION	NOV/12/03	D.R.ZHOU	RAYMOND WONG

D

D

C

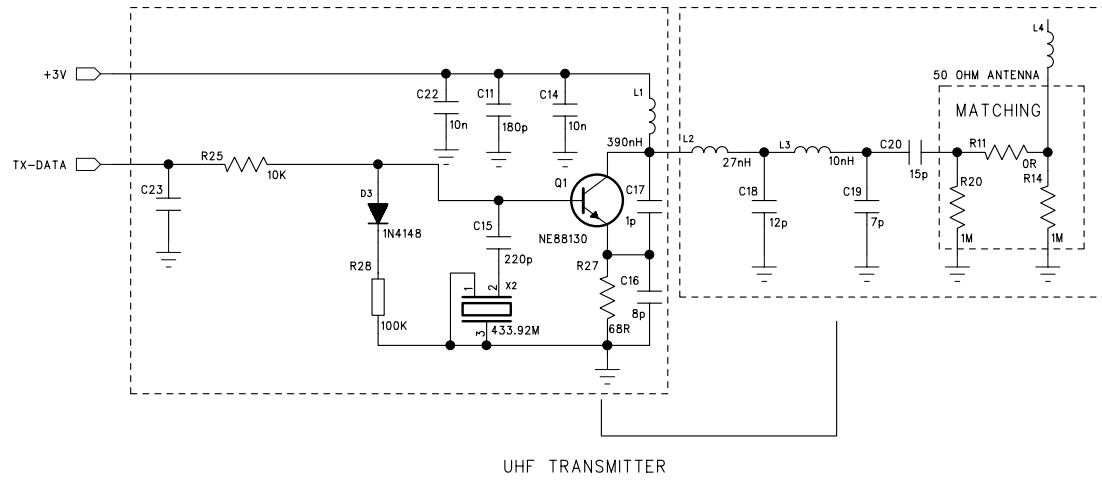
C

B

B

A

A



UHF TRANSMITTER

Note:Delete C23

TITLE		SCHEMATIC DIAGRAM	
DOC NO.	LS00XXX	DIVISION	L C D
MODEL NO.	PSR01	DRAWN	D.R.ZHOU
CAD REF.	PSR01ALS1.SCH	CHKD	RAYMOND WONG
PAGE	2 OF 2	APPD.	RAYMOND WONG
IDT TECHNOLOGY LTD.			