

6

5

4

3

2

1

D

D

C

C

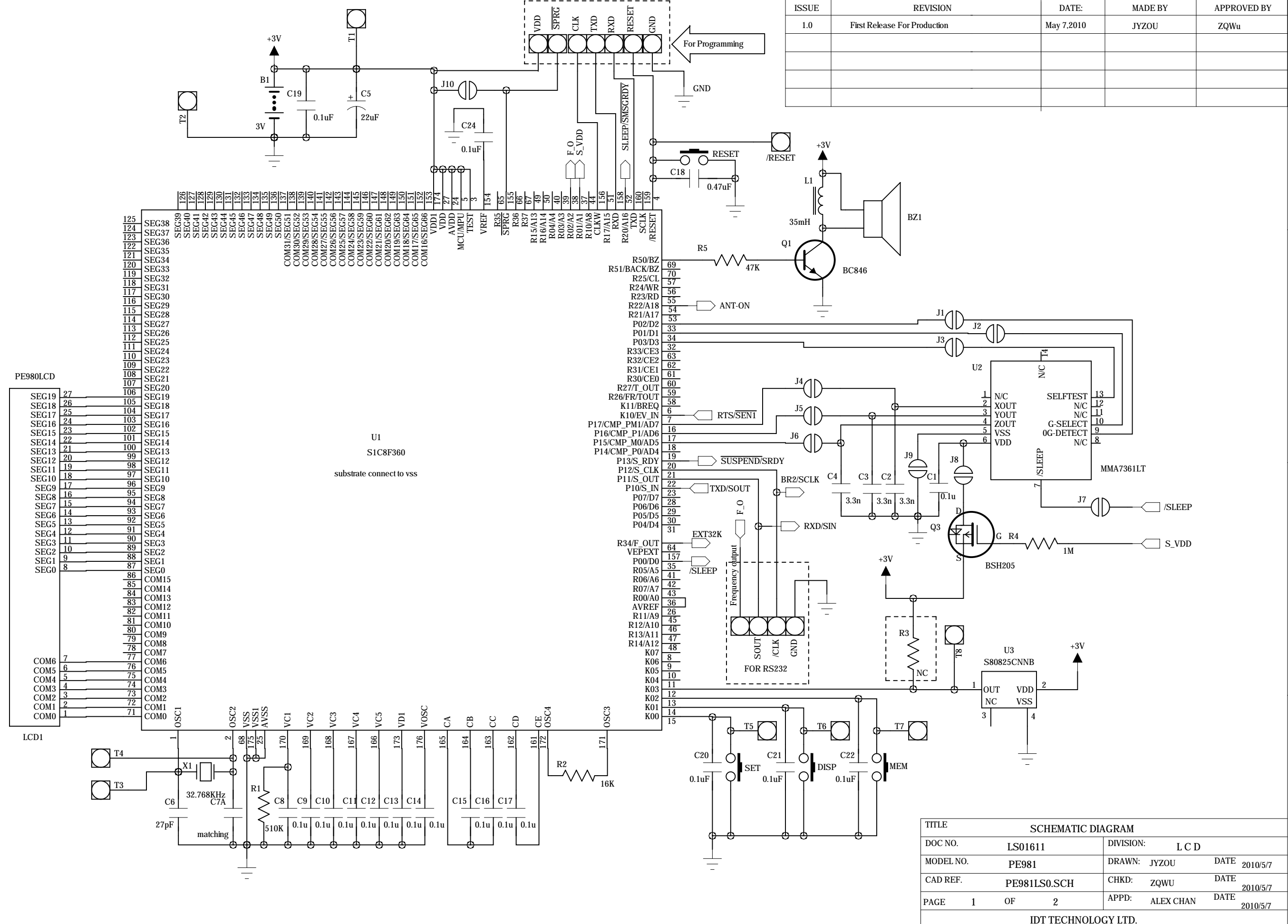
B

B

A

A

ISSUE	REVISION	DATE:	MADE BY	APPROVED BY
1.0	First Release For Production	May 7,2010	JYZOU	ZQWu



TITLE				
SCHEMATIC DIAGRAM				
DOC NO.	LS01611	DIVISION:	L C D	
MODEL NO.	PE981	DRAWN:	JYZOU	DATE 2010/5/7
CAD REF.	PE981LS0.SCH	CHKD:	ZQWU	DATE 2010/5/7
PAGE	1	OF	2	DATE 2010/5/7
APPD: ALEX CHAN				
IDT TECHNOLOGY LTD.				

6

5

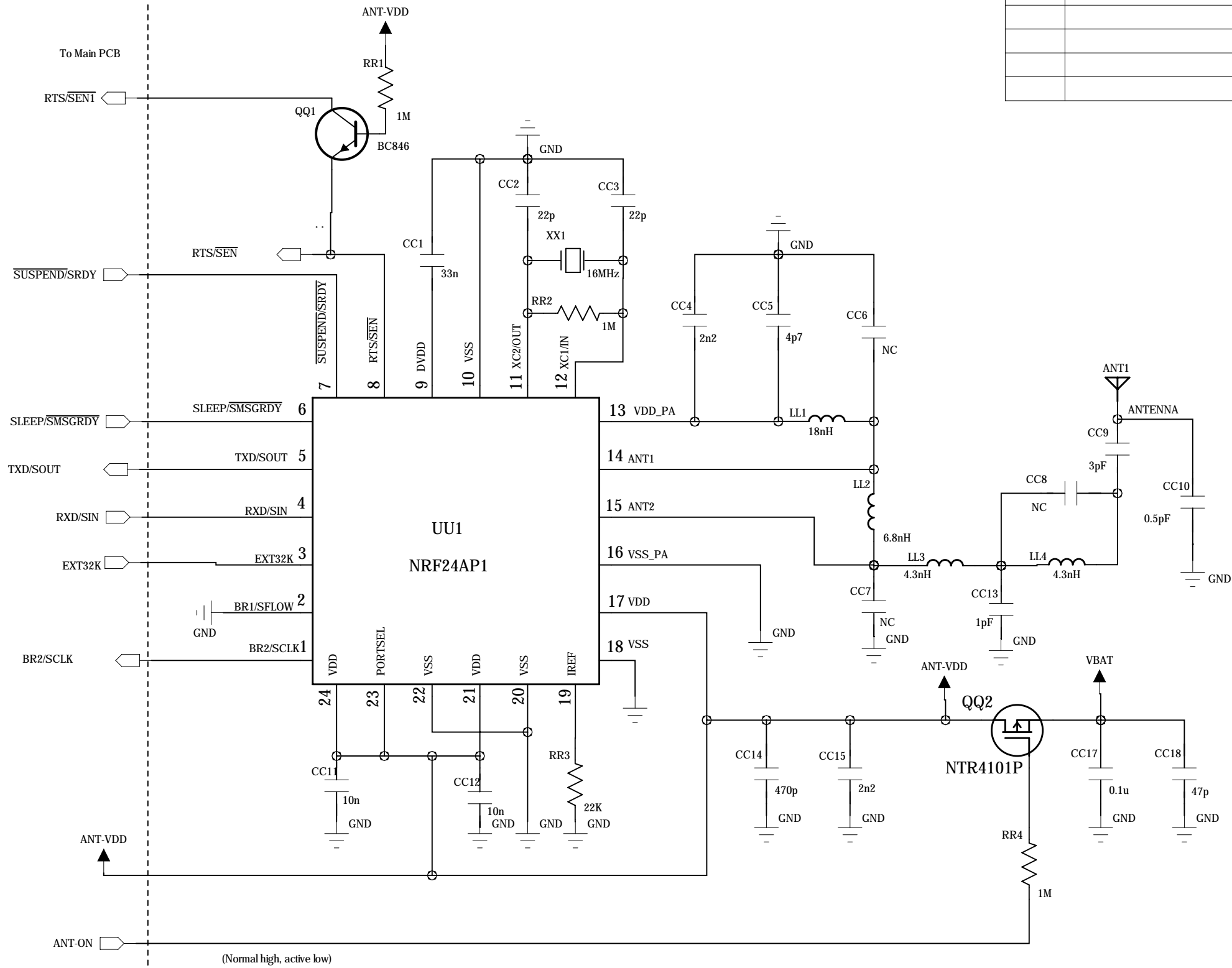
4

3

2

1

ISSUE	REVISION	DATE:	MADE BY	APPROVED BY
1.0	First Release For Production	May 7,2010	JYZOU	ZQWu



TITLE			
SCHEMATIC DIAGRAM			
DOC NO.	LS01611	DIVISION:	L C D
MODEL NO.	PE981	DRAWN:	JYZOU DATE 2010/5/7
CAD REF.	PE981LS0.SCH	CHKD:	ZQWU DATE 2010/5/7
PAGE	2 OF 2	APPD:	ALEX CHAN DATE 2010/5/7
IDT TECHNOLOGY LTD.			