

6

5

4

3

2

1

ISSUE	REVISION	DATE	MADE BY	APPROVED BY
1.0	FIRST RELEASE	Jan 22,10	DRZhou	ZQWu

D

D

C

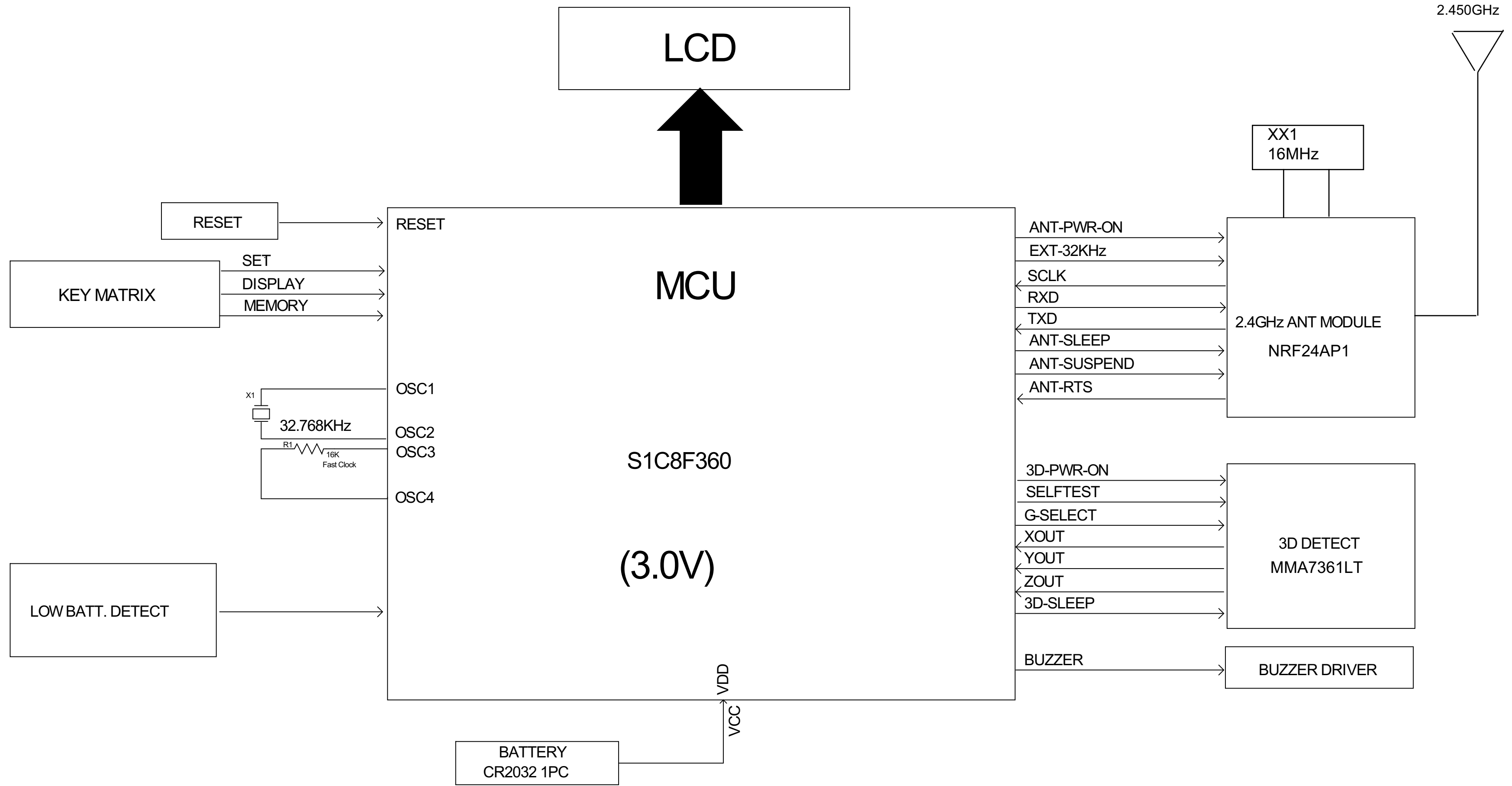
C

B

B

A

A



TITLE			
BLOCK DIARGAM			
DOC NO.	LS xxxxx	DIVISION	LCD PDD
MODEL NO.	PE981	DRAWN	DRZhou
CAD REF.	PE981BL0.SCH	CHKD	ZQWu
PAGE	1 OF 1	APPD.	ZQWu
IDT TECHNOLOGY LTD.			



### 1. BLOCK DIAGRAM

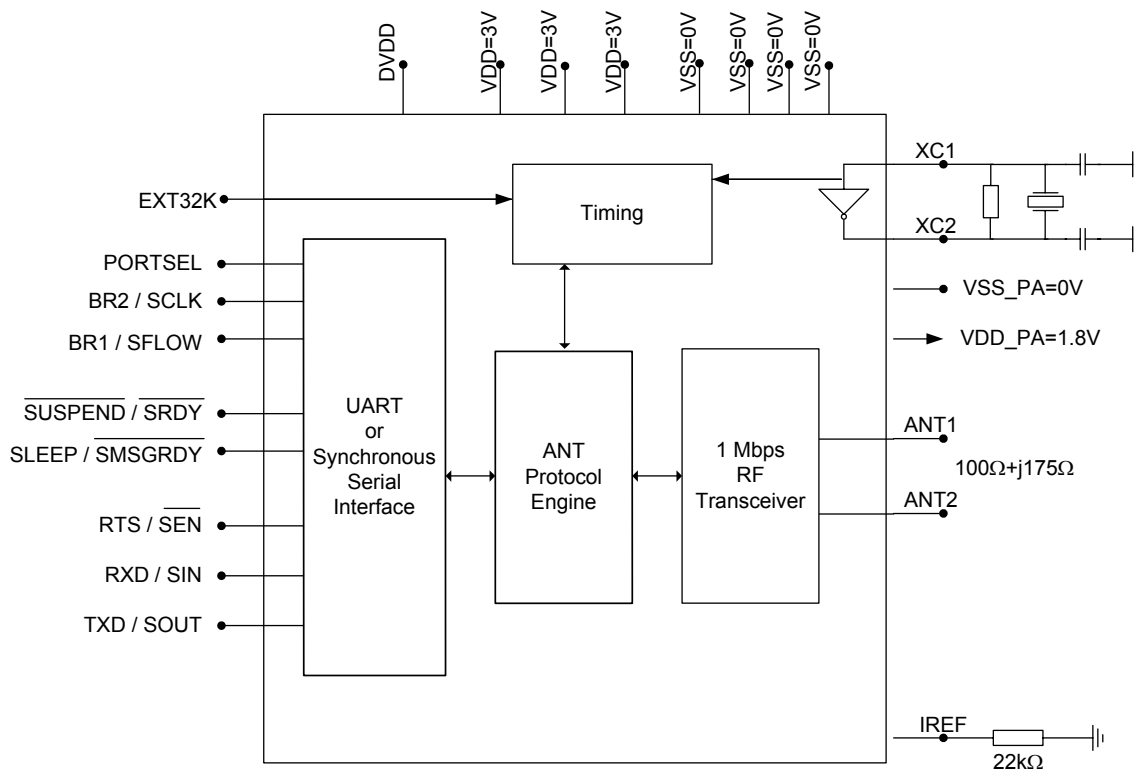


Figure 1: nRF24AP1 with external components.

The “ANT Protocol Engine” shown in Figure 1 is described in the “ANT Message Protocol and Usage” document.