

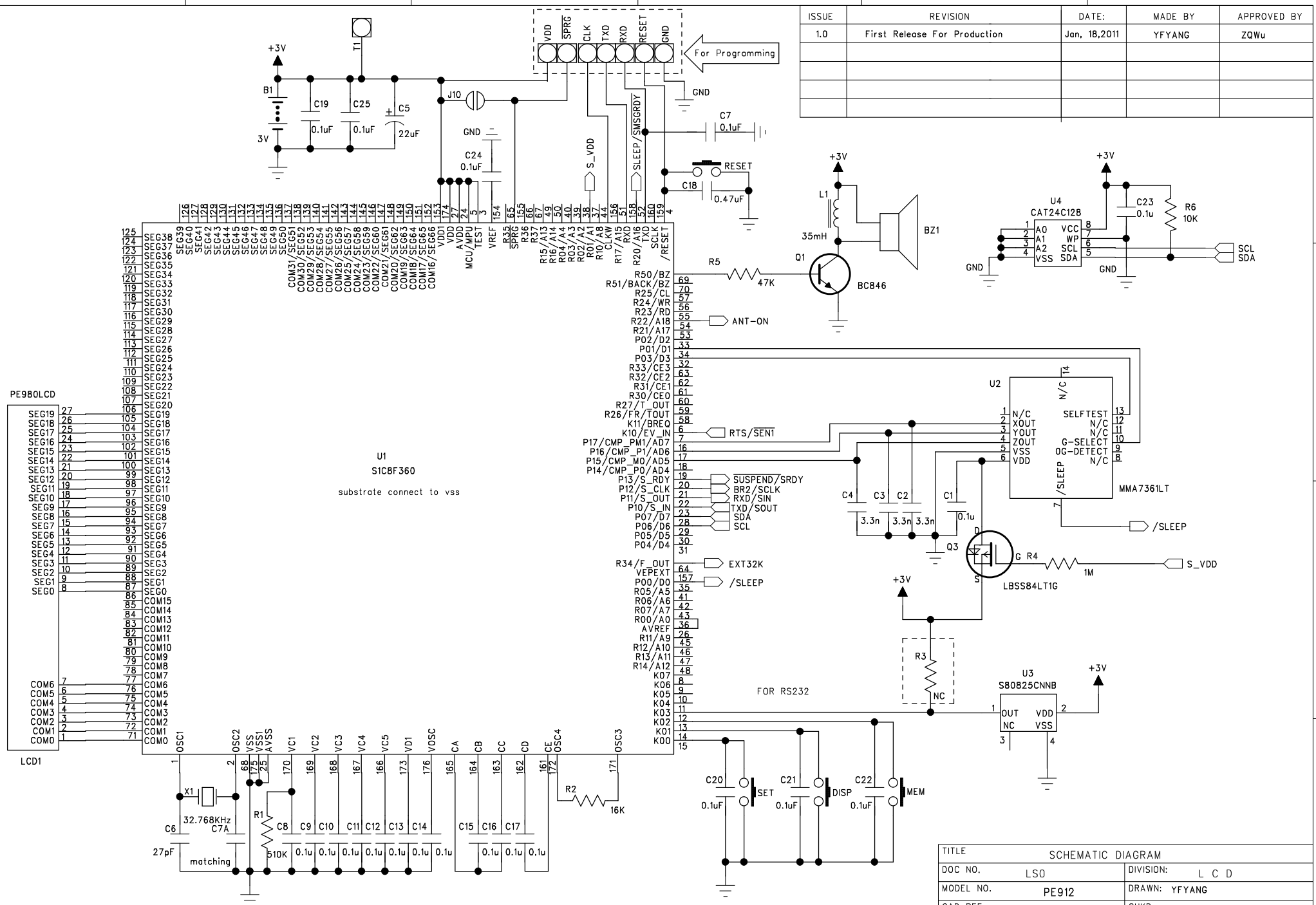
ISSUE	REVISION	DATE:	MADE BY	APPROVED BY
1.0	First Release For Production	Jan, 18,2011	YFYANG	ZQWu

D

C

B

A



TITLE		SCHEMATIC DIAGRAM	
DOC NO.	LSO	DIVISION:	L C D
MODEL NO.	PE912	DRAWN:	YFYANG
CAD REF.	NA	CHKD:	ZQWU
PAGE	1 OF 2	APPD:	ZQWu
IDT TECHNOLOGY LTD.			

D

C

B

A

6

5

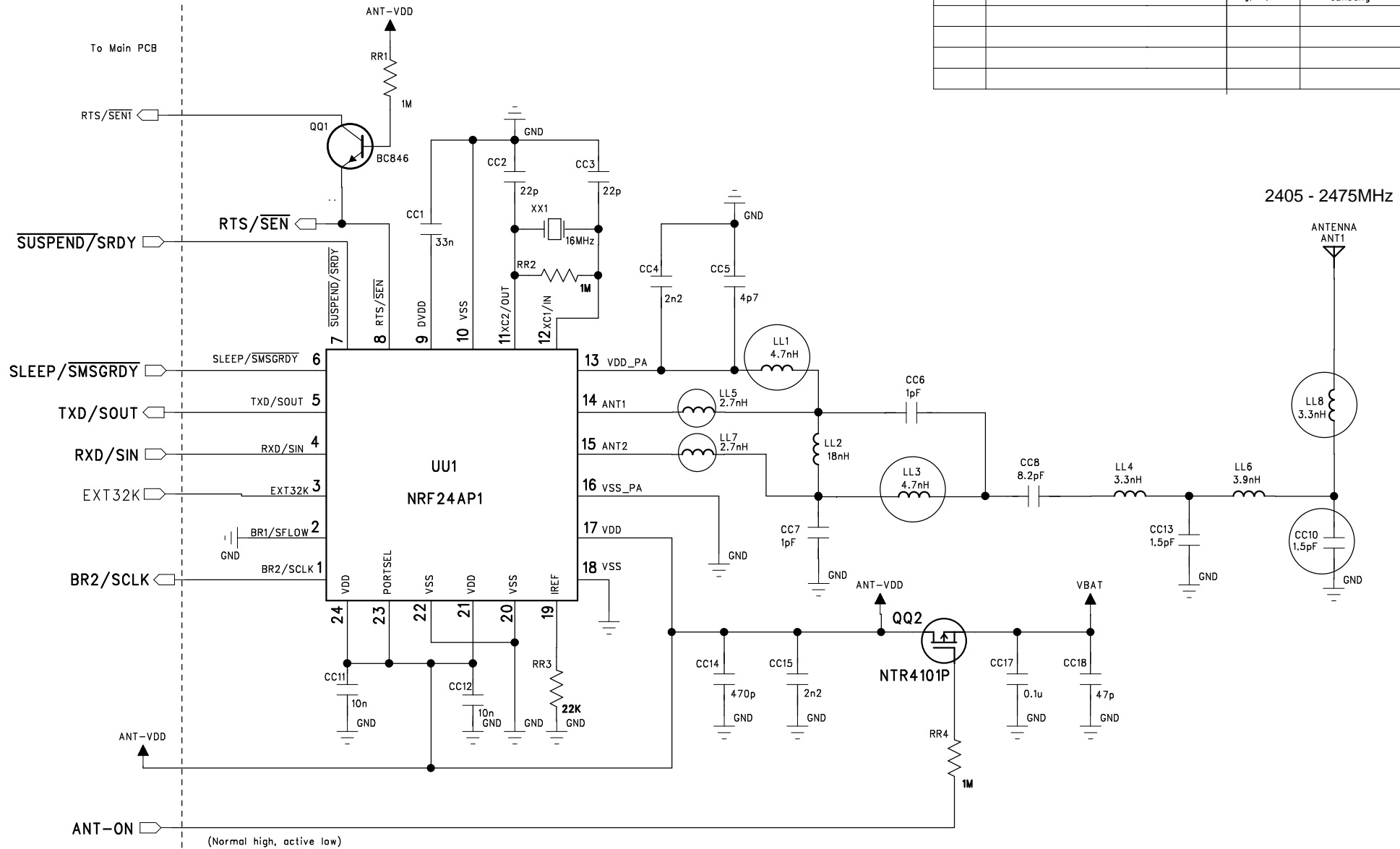
4

3

2

1

ISSUE	REVISION	DATE:	MADE BY	APPROVED BY
1.0	First Release For Production	Aug, 4,2010	szhuang	ZQWu



TITLE		SCHEMATIC DIAGRAM	
DOC NO.	LS0	DIVISION:	L C D
MODEL NO.	PE910	DRAWN:	YFYong
CAD REF.	PE910B1.SCH	CHKD:	ZQWU
PAGE	2 OF 2	APPD:	ZQWu'
IDT TECHNOLOGY LTD.			