

ISSUE	REVISION	DATE:	MADE BY	APPROVED BY
1.0	FIRST RELEASE FOR PRODUCTION	10 SEP 08	J.Y.ZOU	Z.P.ZHONG

D

D

C

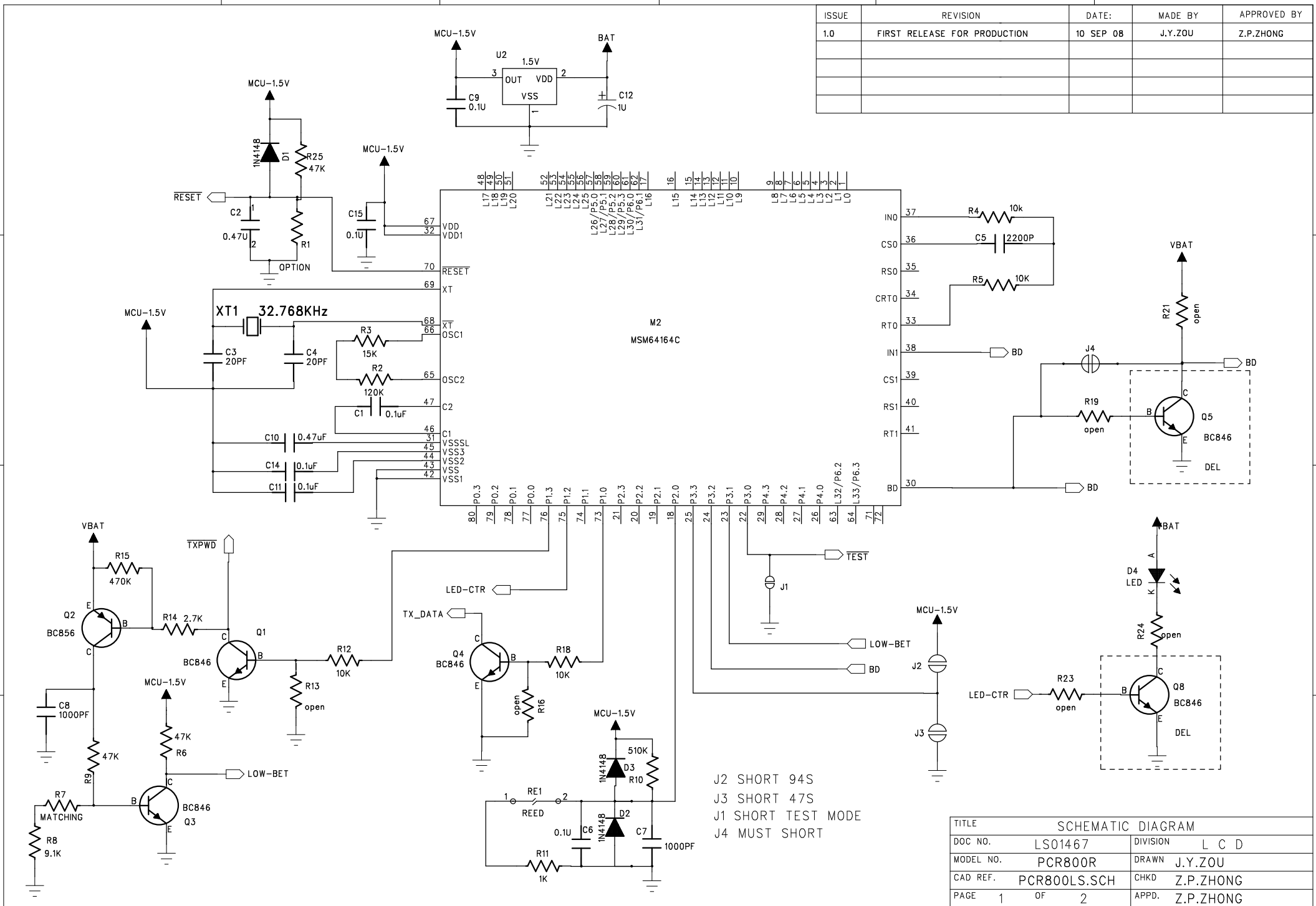
C

B

B

A

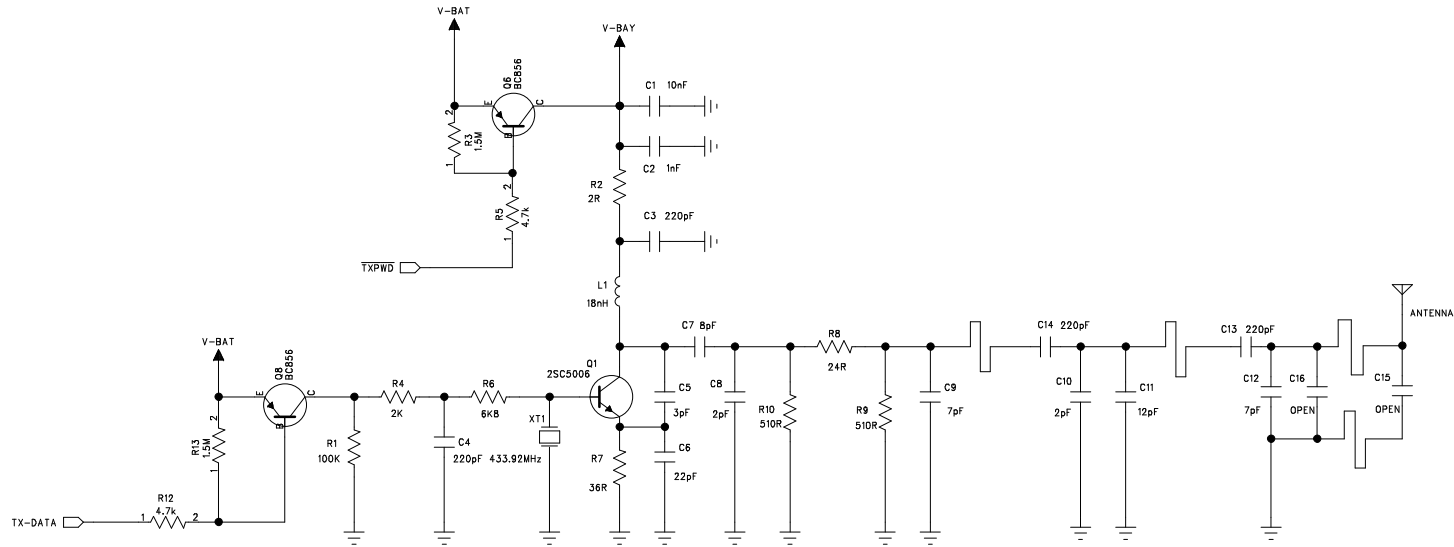
A



J2 SHORT 94S
 J3 SHORT 47S
 J1 SHORT TEST MODE
 J4 MUST SHORT

TITLE			
DOC NO.	LS01467	DIVISION	L C D
MODEL NO.	PCR800R	DRAWN	J.Y.ZOU
CAD REF.	PCR800LS.SCH	CHKD	Z.P.ZHONG
PAGE	1 OF 2	APPD.	Z.P.ZHONG

ISSUE	REVISION	DATE:	MADE BY	APPROVED BY
1.0	FIRST RELEASE FOR PRODUCTION	10 SEP 08	J.Y.ZOU	Z.P.ZHONG



TITLE			
SCHEMATIC DIAGRAM			
DOC NO.	LS01467	DIVISION	L C D
MODEL NO.	PCR800R	DRAWN	J.Y.ZOU
CAD REF.	PCR800TX.SCH	CHKD	Z.P.ZHONG
PAGE	2	OF	2
		APPD.	Z.P.ZHONG
IDT TECHNOLOGY LTD.			