

6

5

4

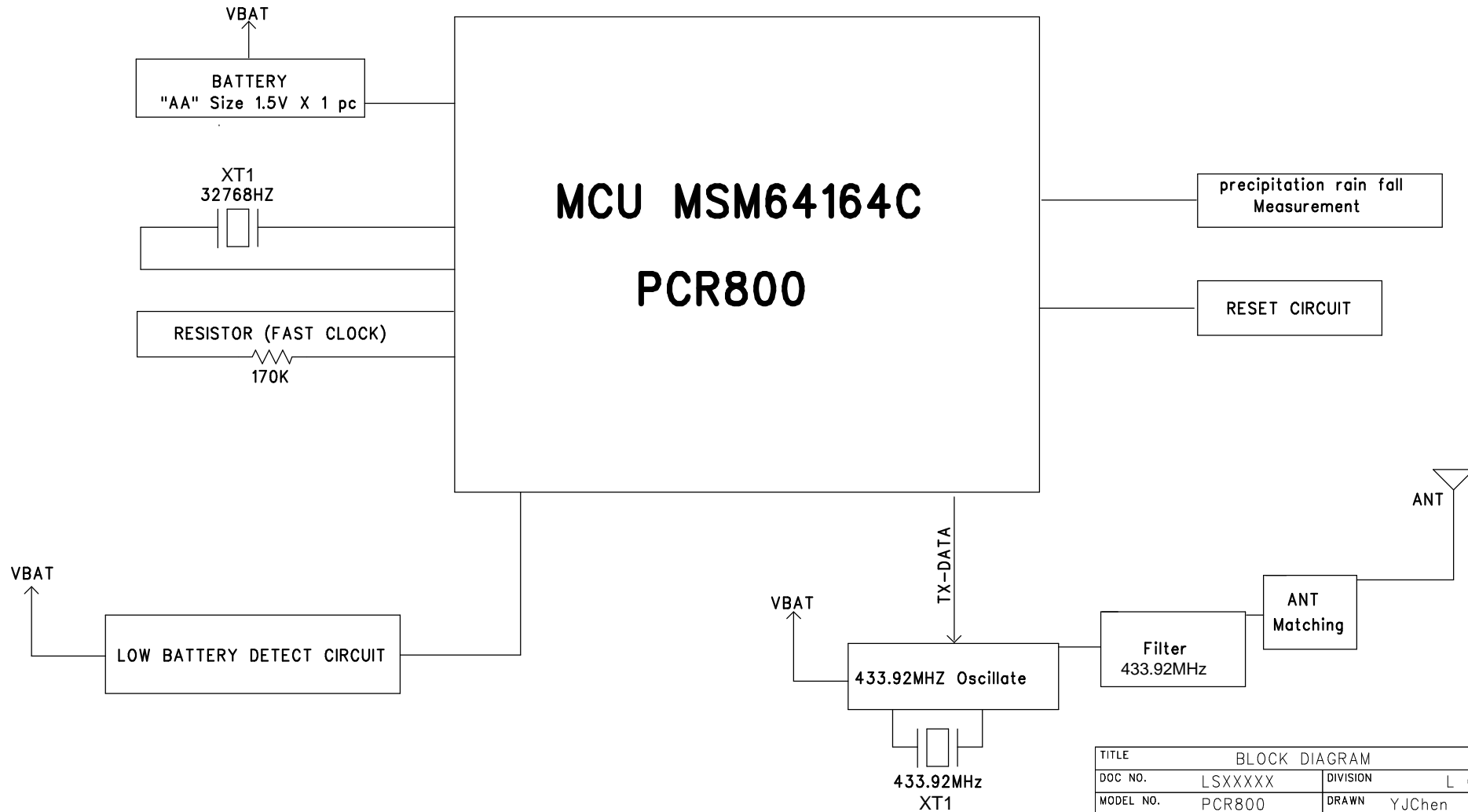
3

2

1

ISSUE	REVISION	DATE:	MADE BY	APPROVED BY
1.0	FIRST RELEASE FOR PRODUCTION	Oct 21,08	YJChen	ZPZhong

PCR800 BLOCK DIAGRAM



TITLE		BLOCK DIAGRAM	
DOC NO.	LSXXXXX	DIVISION	L C D
MODEL NO.	PCR800	DRAWN	YJChen
CAD REF.	PCR122.SCH	CHKD	ZPZhong
PAGE	1 OF 1	APPD.	ZPZhong
IDT TECHNOLOGY LTD.			