

6

5

4

3

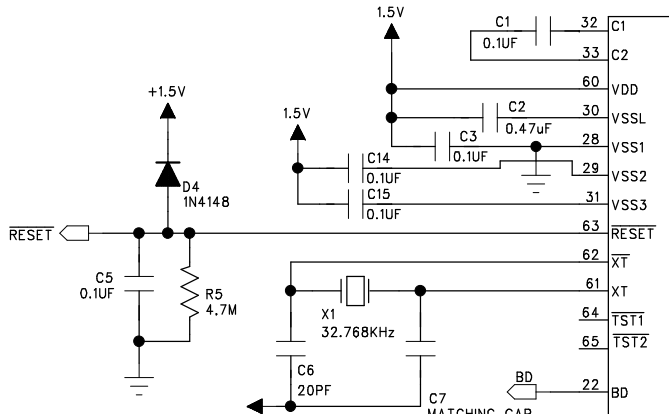
2

1

| ISSUE | REVISION | DATE: | MADE BY | APPROVED BY |
|-------|---------------|-----------|---------|-------------|
| 1.0 | FIRST RELEASE | Sep/12/08 | YJChen | ZPZhong |
| | | | | |
| | | | | |
| | | | | |

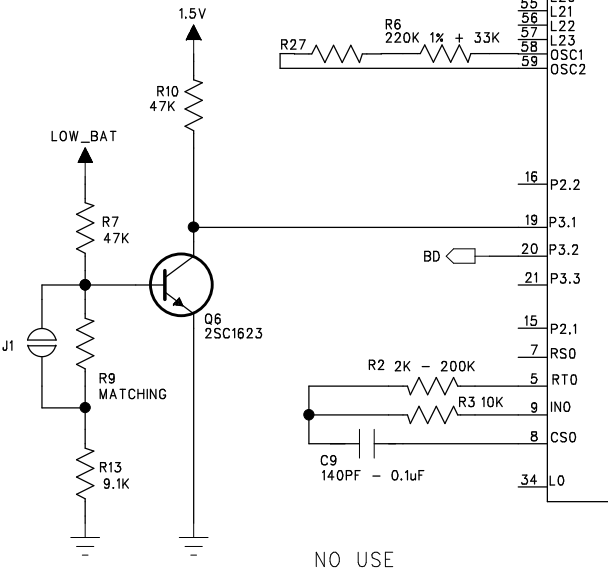
D

D



C

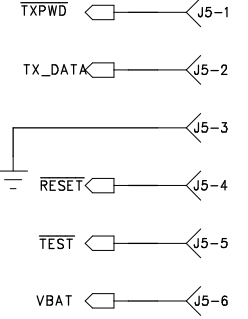
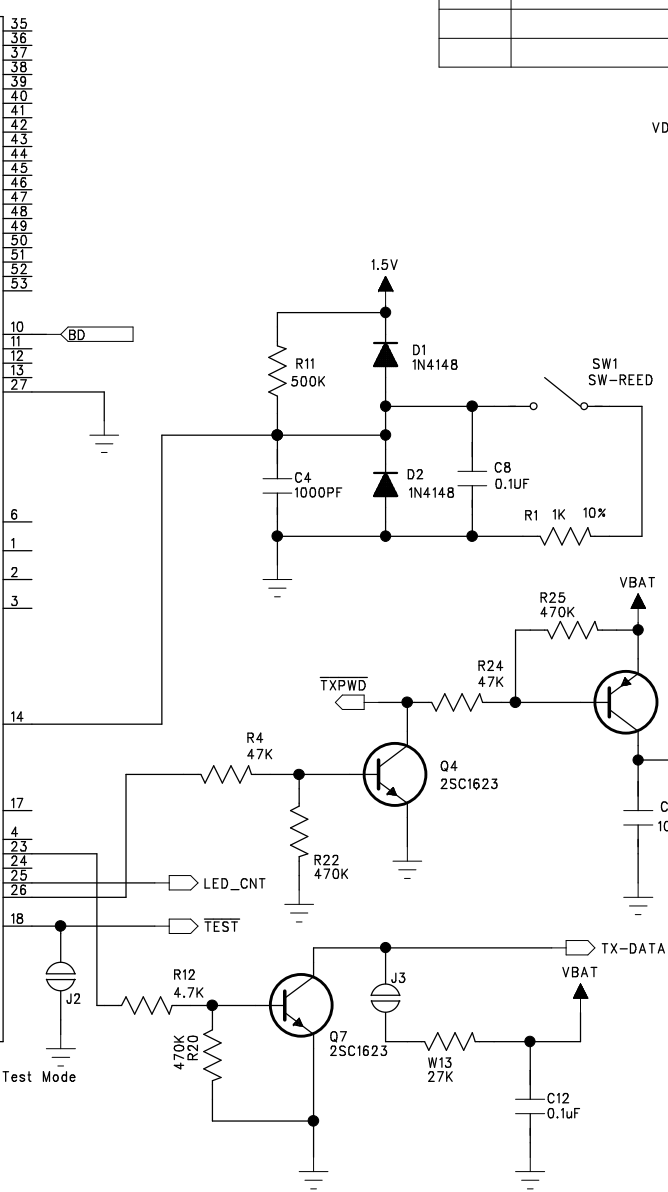
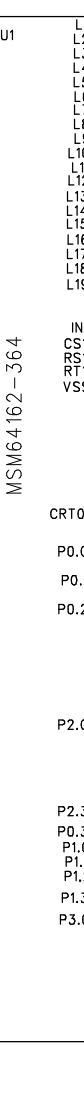
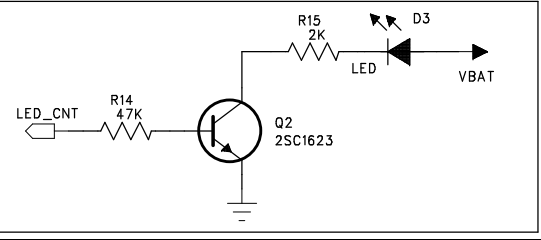
C



B

B

A



| | | | |
|------------------------------|--------------|----------|---------|
| TITLE TRANSMITTER MAIN BOARD | | | |
| DOC NO. | LS00 | DIVISION | L C D |
| MODEL NO. | PCR122R RAIN | DRAWN | YJChen |
| CAD REF. | | CHKD | ZPZhong |
| PAGE | 1 OF 2 | APPD. | ZPZhong |
| IDT TECHNOLOGY LTD. | | | |

PAGE 2 OF 3

6

5

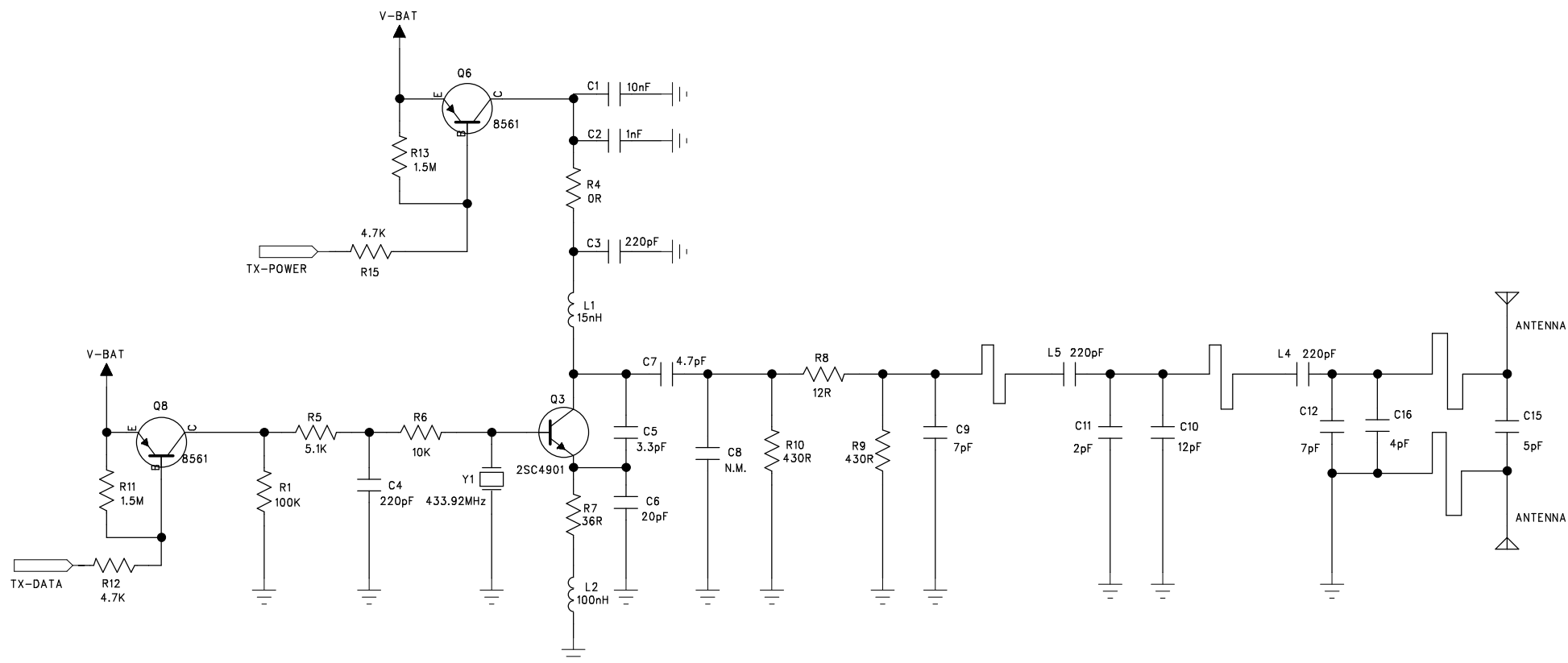
4

3

2

1

| ISSUE | REVISION | DATE: | MADE BY | APPROVED BY |
|-------|------------------------------|-----------|---------|-------------|
| 1.0 | FIRST RELEASE FOR PRODUCTION | Sep/12/08 | YJChen | Z.P.Zhong |
| | | | | |
| | | | | |
| | | | | |



| TITLE | | SCHEMATIC DIAGRAM | |
|---------------------|----------------|-------------------|---------|
| DOC NO. | LS0xxx | DIVISION | L C D |
| MODEL NO. | PCR122R | DRAWN | YJChen |
| CAD REF. | PCR122R-TX.SCH | CHKD | ZPZhong |
| PAGE | 2 OF 2 | APPD. | ZPZhong |
| IDT TECHNOLOGY LTD. | | | |