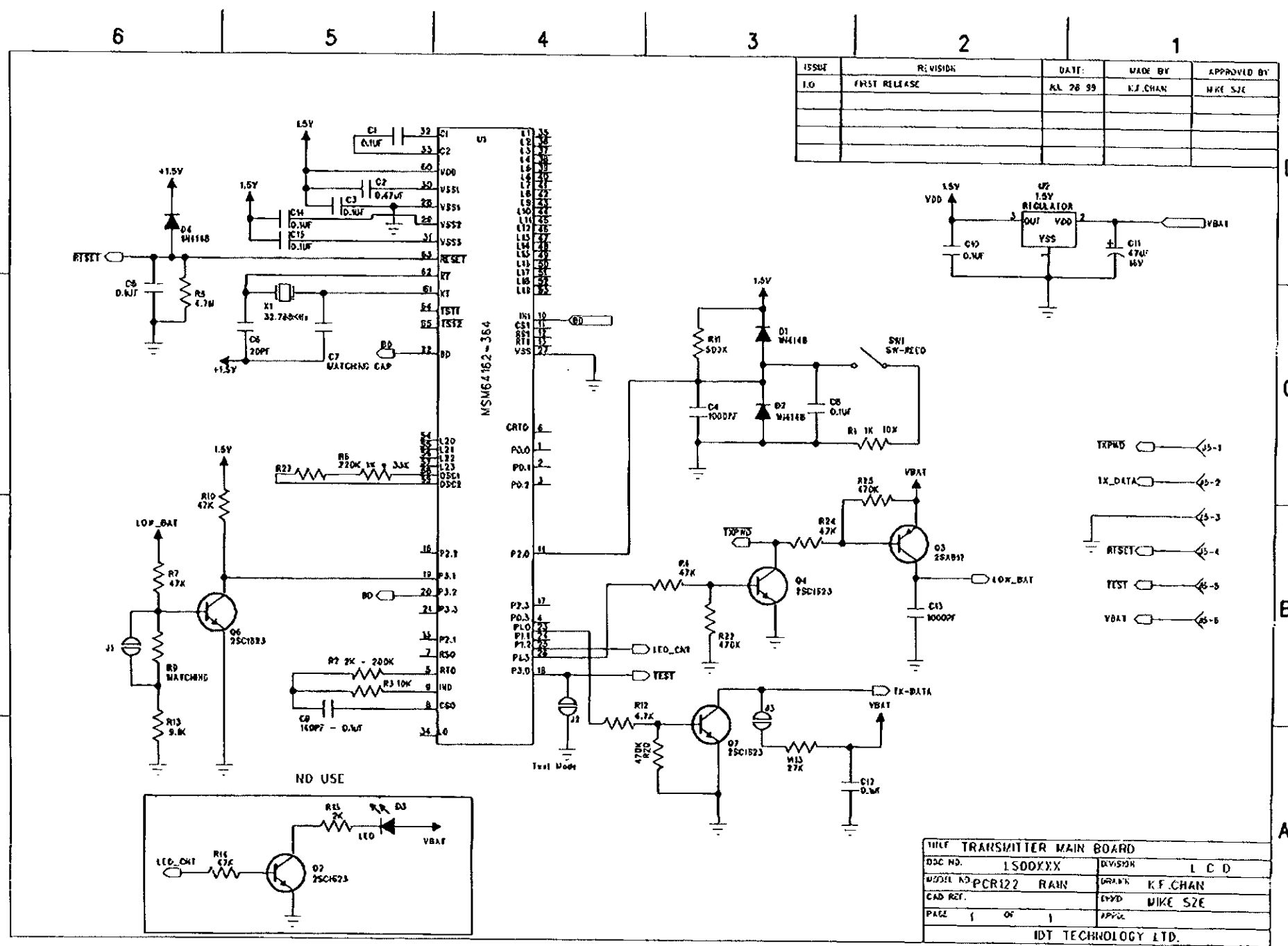
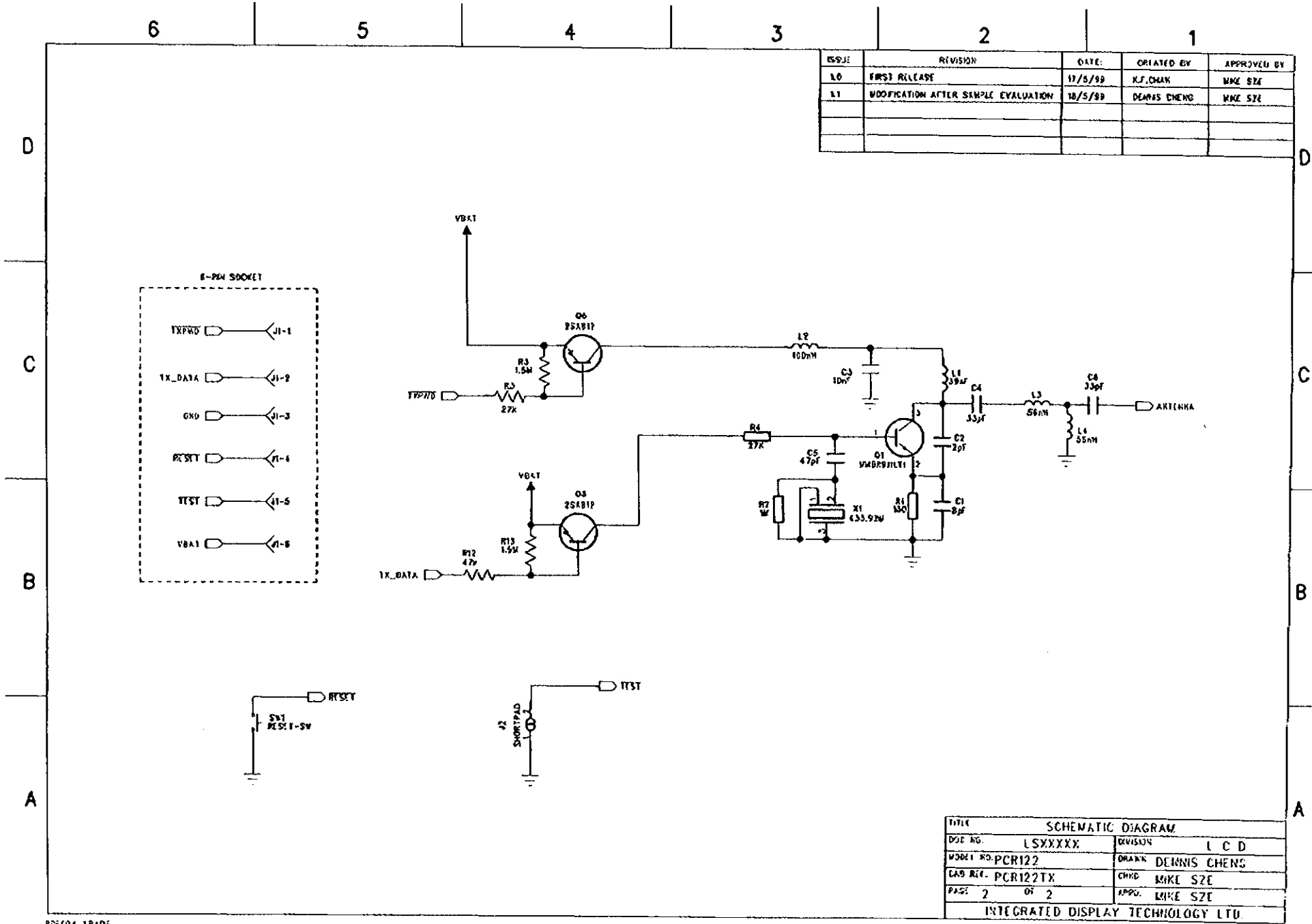


13-MAR-2000 10:42 IDT TECHNOLOGY LTD. 0504 97% +852 2764 8904 P.02

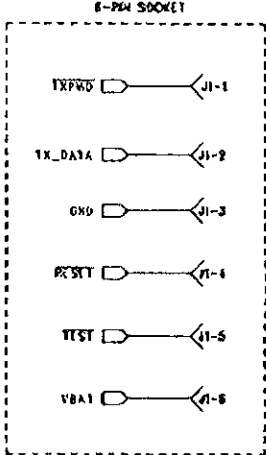


LCB-P02-077-A

13-MAR-2000 10:43
 IDT TECHNOLOGY LTD.
 1852 2104 0364



ISSUE	REVISION	DATE	ORIGATED BY	APPROVED BY
L0	FIRST RELEASE	17/5/99	K.F.CHAN	WKE SZE
L1	MODIFICATION AFTER SIMPLC EVALUATION	18/5/99	DEANIS CHENG	WKE SZE



TITLE			
SCHEMATIC DIAGRAM			
DWG NO.	LSXXXXX	DIVISION	L C D
MODEL NO.	PCR122	DRAWN	DEANIS CHENG
CAD FILE	PCR122TX	CHKD	WKE SZE
PAGE	2 OF 2	APPR.	WKE SZE
INTEGRATED DISPLAY TECHNOLOGY LTD			

PDF604_1PAD5

13-MAR-2000 10:51
 +852 2764 8904
 97%
 P.03