

6

5

4

3

2

1

ISSUE	REVISION	DATE:	MADE BY	APPROVED BY
1.0	FIRST RELEASE FOR PRODUCTION	SEP 20.04	J.WANG	WILSON LEUNG

D

D

C

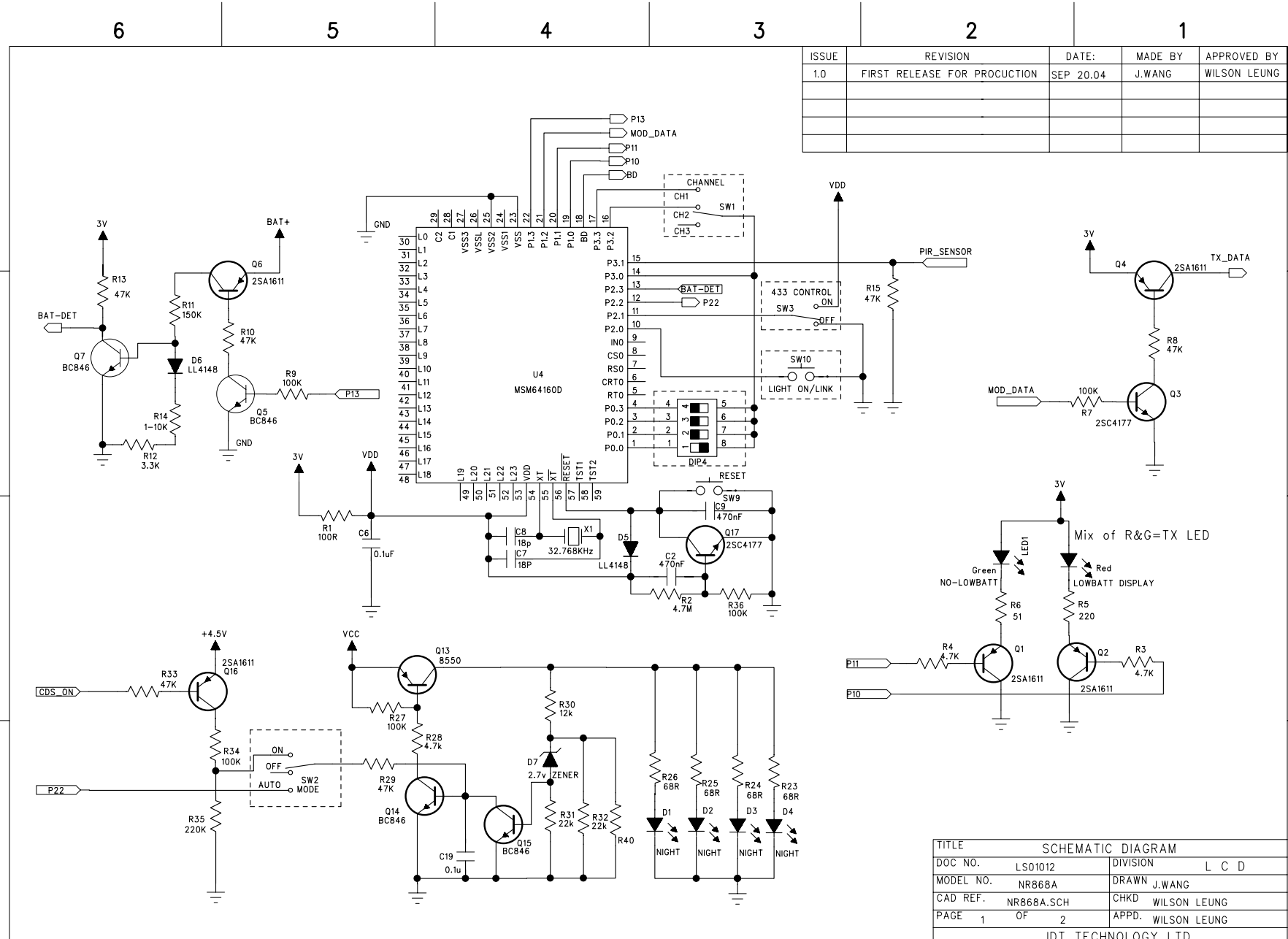
C

B

B

A

A

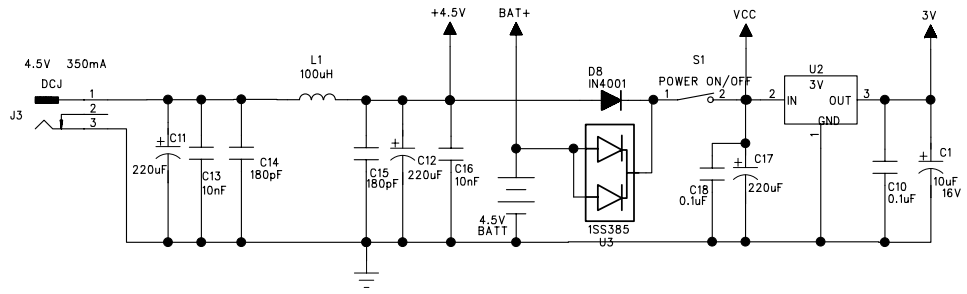


TITLE		SCHEMATIC DIAGRAM	
DOC NO.	LS01012	DIVISION	L C D
MODEL NO.	NR868A	DRAWN	J.WANG
CAD REF.	NR868A.SCH	CHKD	WILSON LEUNG
PAGE	1	OF	2
		APPD.	WILSON LEUNG
IDT TECHNOLOGY LTD.			

6 5 4 3 2 1

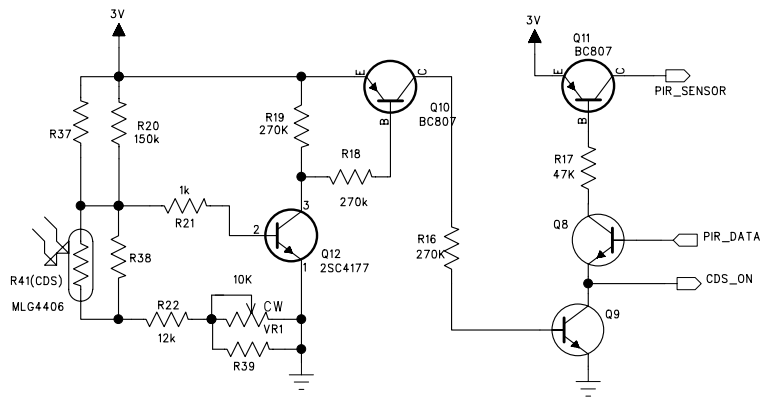
ISSUE	REVISION	DATE:	MADE BY	APPROVED BY
1.0	FIRST RELEASE FOR PRODUCTION	SEP 20.04	J.WANG	WILSON LEUNG

D

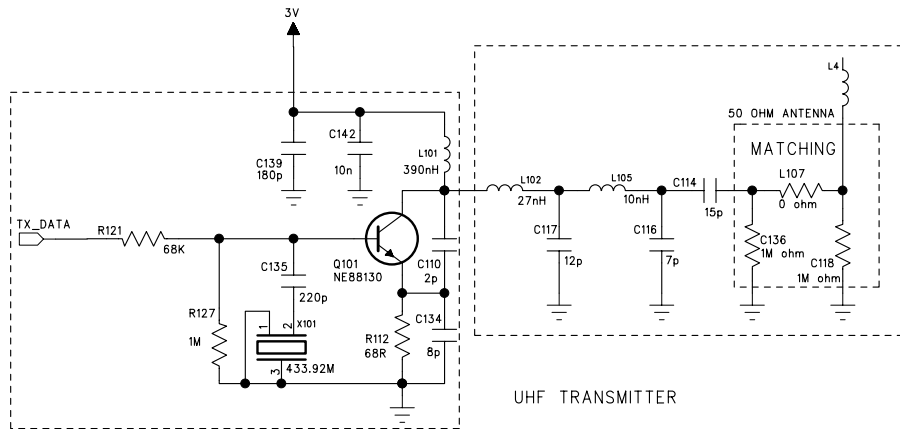


D

C



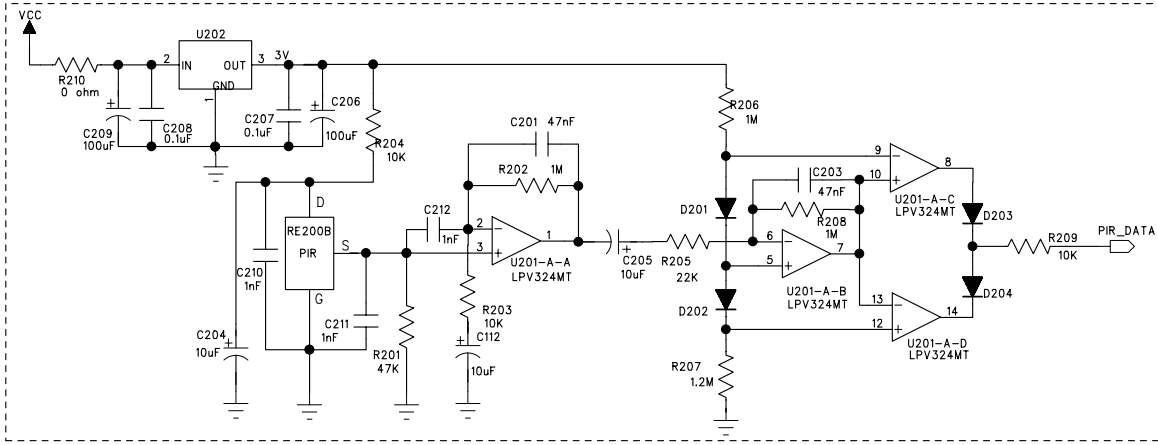
C



UHF TRANSMITTER

B

B



A

A

TITLE			
SCHEMATIC DIAGRAM			
DOC NO.	LS01012	DIVISION	LCD
MODEL NO.	NR868A	DRAWN	J.WANG
CAD REF.	NR868A.SCH	CHKD	WILSON LEUNG
PAGE	2 OF 2	APPD.	WILSON LEUNG
IDT TECHNOLOGY LTD.			