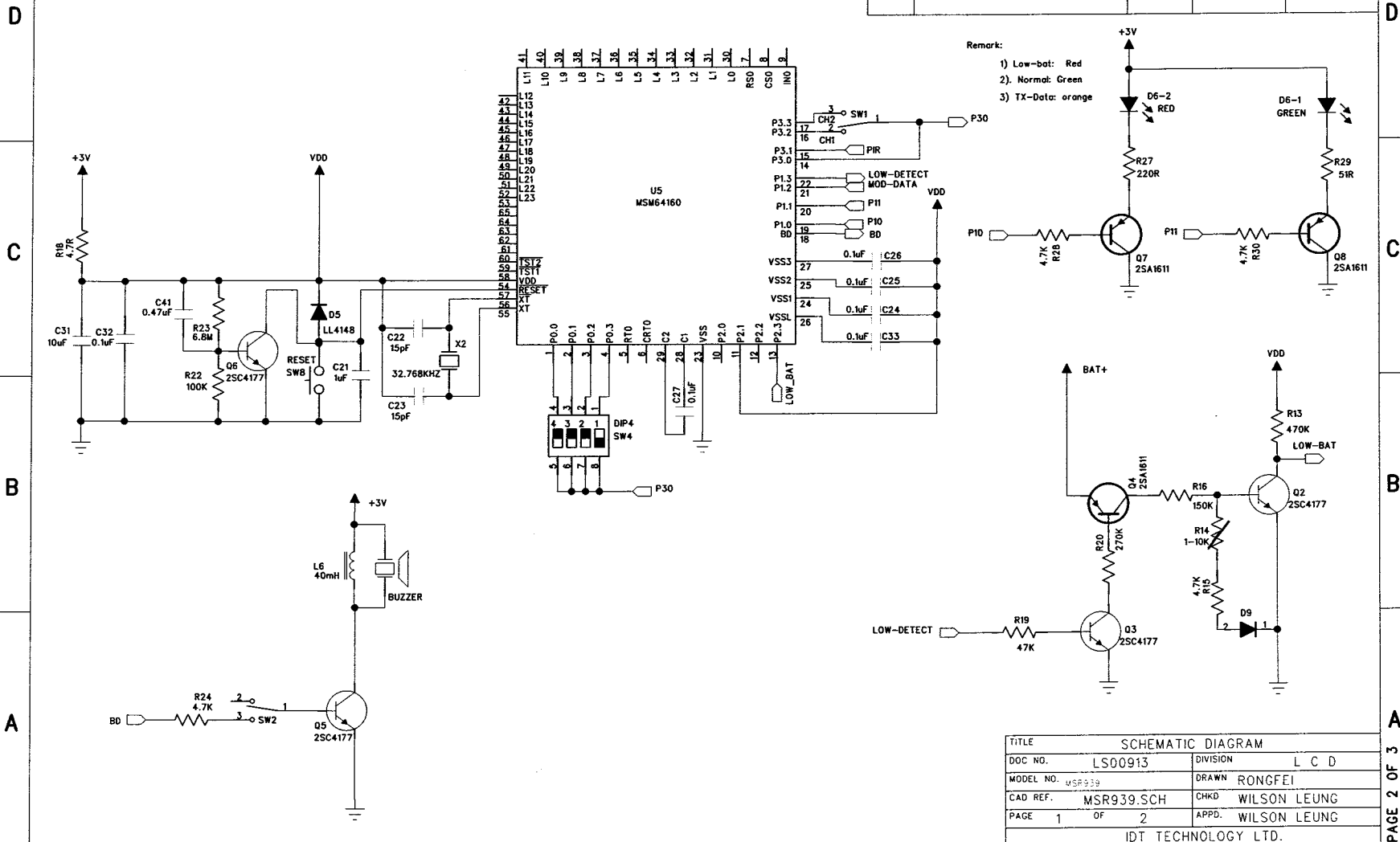


6 5 4 3 2 1

ISSUE	REVISION	DATE	MADE BY	APPROVED BY
1.0	FIRST RELEASE FOR PRODUCTION	MAY 06,04	RONGFEI	WILSON LEUNG

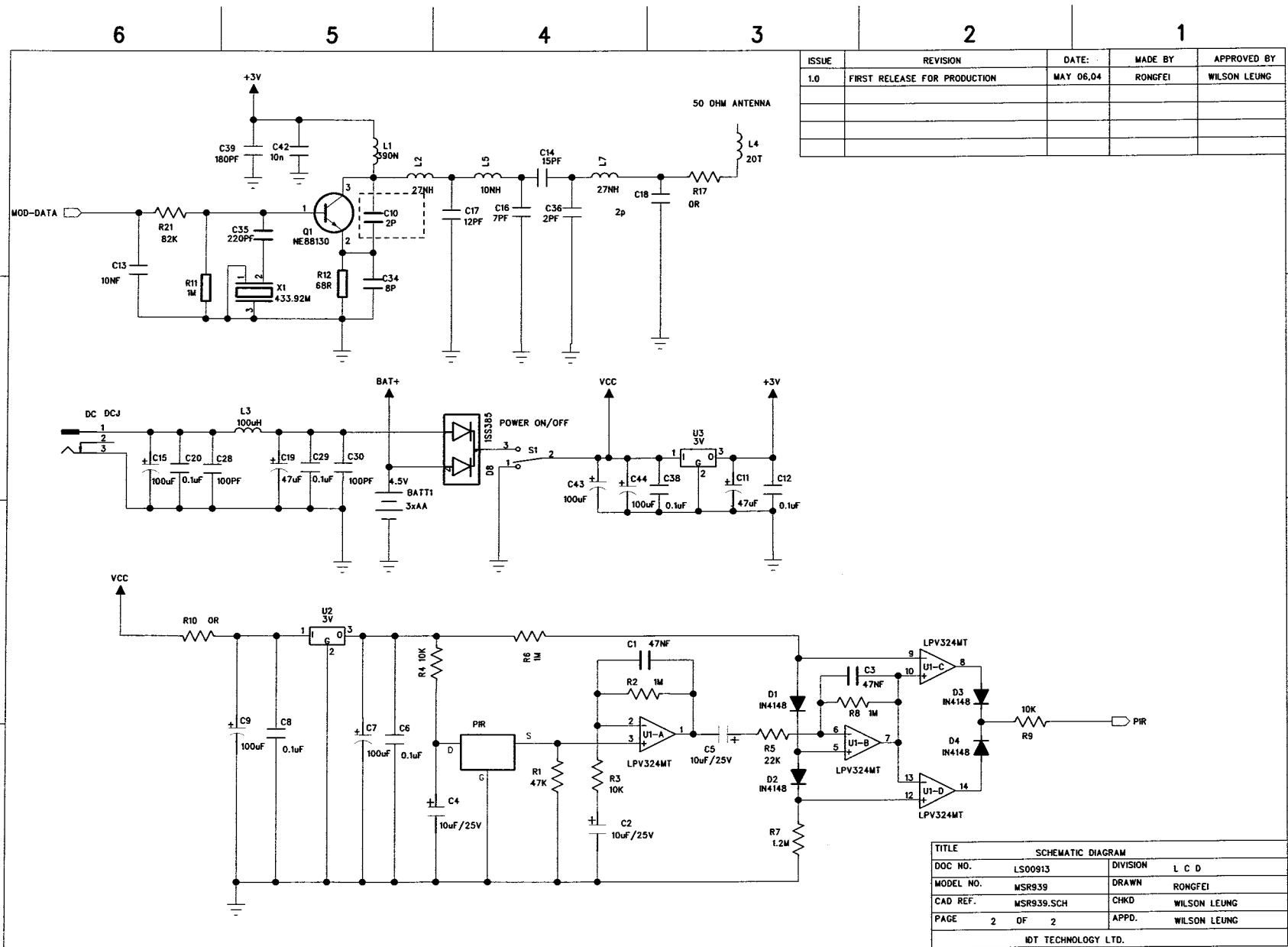


Remark:
 1) Low-bat: Red
 2) Normal: Green
 3) TX-Data: orange

17/6/11

TITLE			
SCHEMATIC DIAGRAM			
DOC NO.	LS00913	DIVISION	L C D
MODEL NO.	MSR939	DRAWN	RONGFEI
CAD REF.	MSR939.SCH	CHKD	WILSON LEUNG
PAGE	1	OF	2
		APPD.	WILSON LEUNG
IDT TECHNOLOGY LTD.			

17/6/04



TITLE			
SCHEMATIC DIAGRAM			
DOC NO.	LS00913	DIVISION	L C D
MODEL NO.	MSR939	DRAWN	RONGFEI
CAD REF.	MSR939.SCH	CHKD	WILSON LEUNG
PAGE	2 OF 2	APPD.	WILSON LEUNG
IDT TECHNOLOGY LTD.			

06/17/11