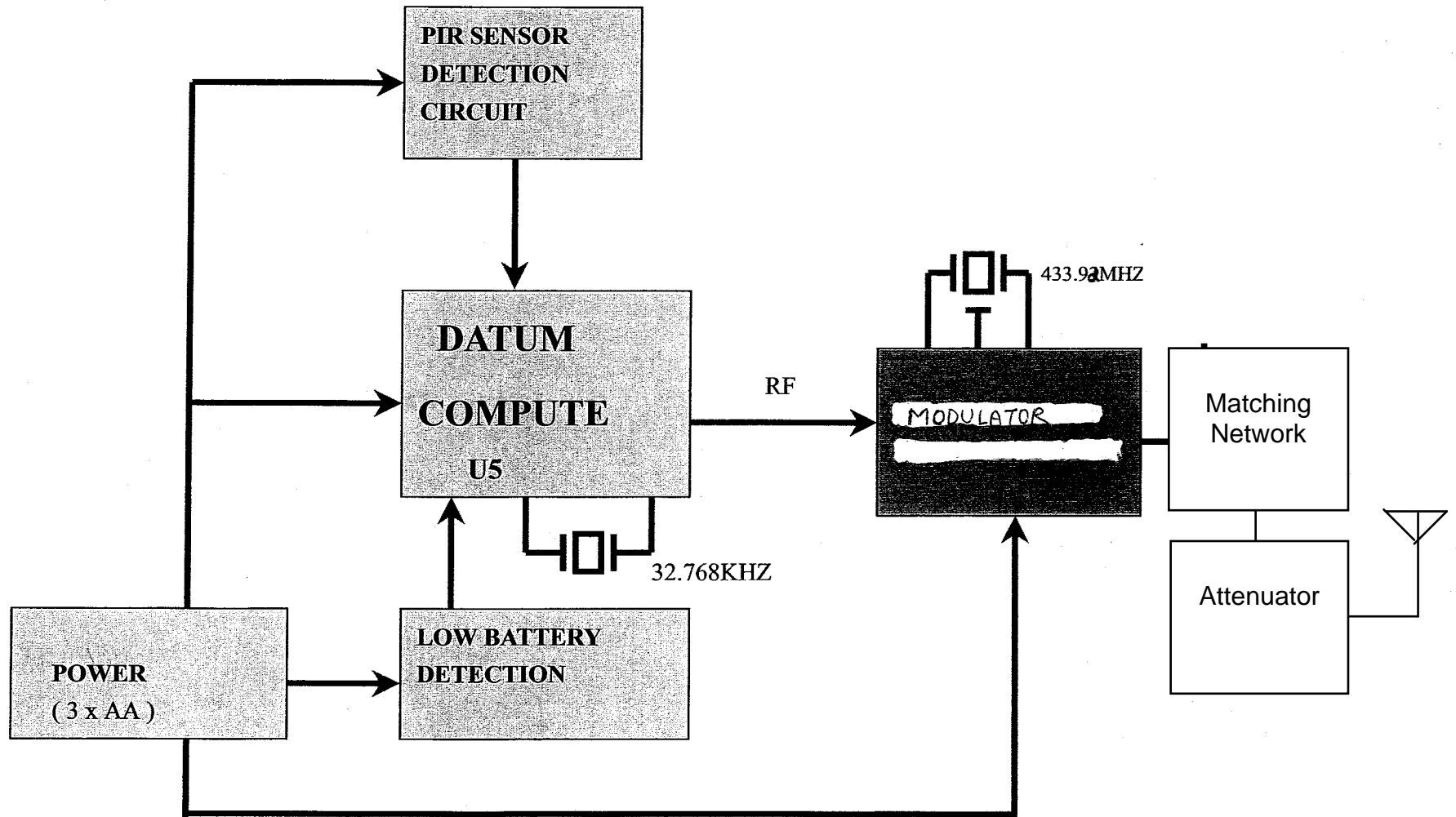


MSR939A BLOCK DIAGRAM



17/9/04